

SINGLE HOLE LABORATORY FITTINGS

Thank you for selecting American-Standard...the benchmark of fine quality for over 100 years. To ensure that your installation proceeds smoothly—please read these instructions carefully before you begin.



7272.120



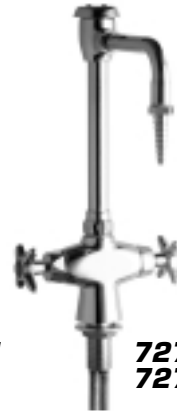
7272.121
7272.121VR



7272.220



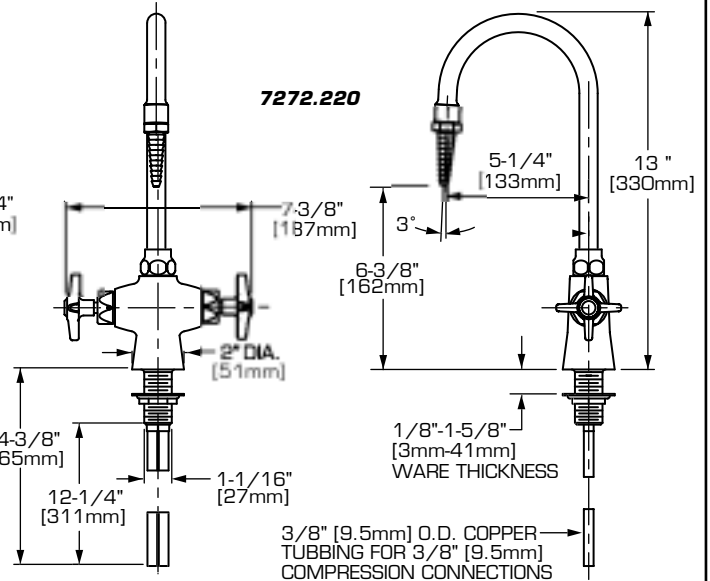
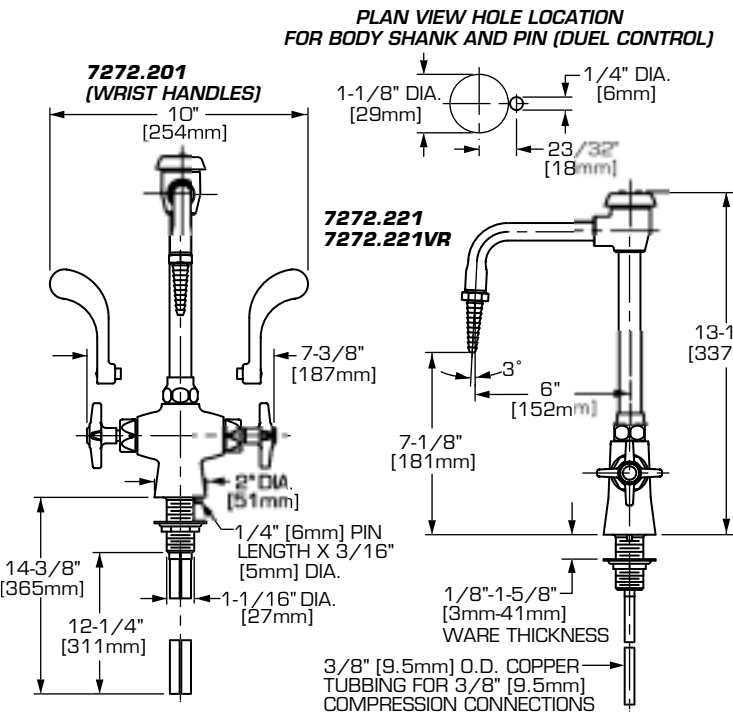
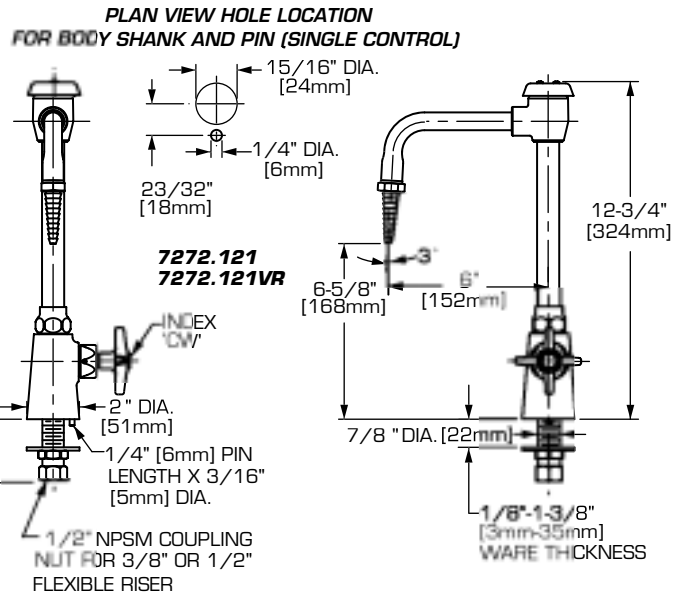
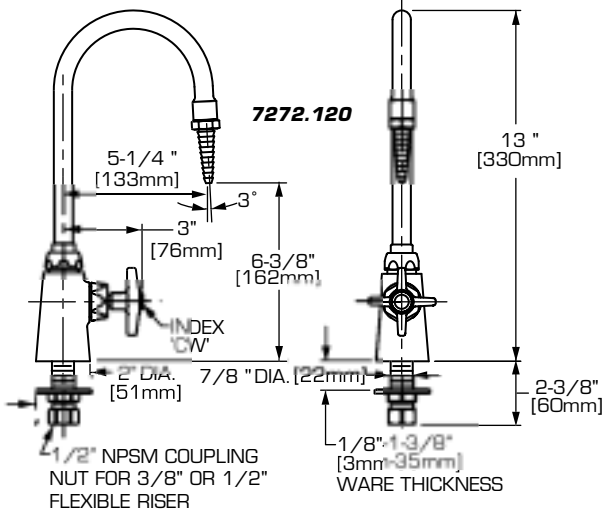
7272.201



7272.221
7272.221VR

M968487

ROUGHING-IN DIMENSIONS



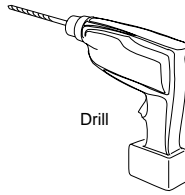
TOOLS AND SUPPLIES REQUIRED



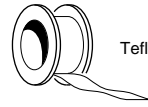
Channel Locks



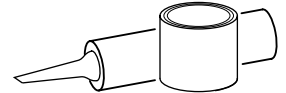
Adjustable Wrench



Drill



Teflon Tape



Plumbers' Putty or
Caulking

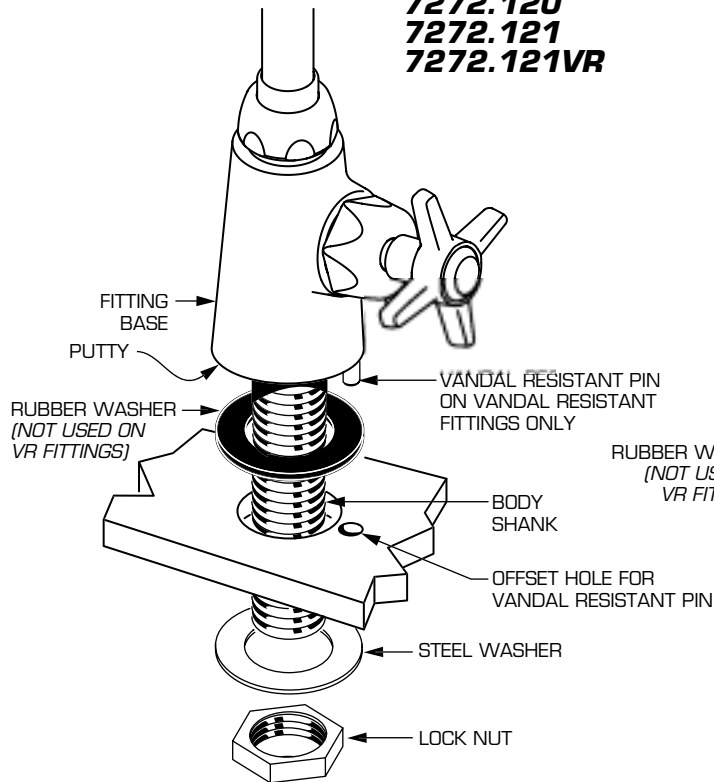
1 SINGLE AND DUAL CONTROL LABORATORY FITTINGS

IMPORTANT: FLUSH ALL SUPPLY LINES PRIOR TO FITTING INSTALLATION.

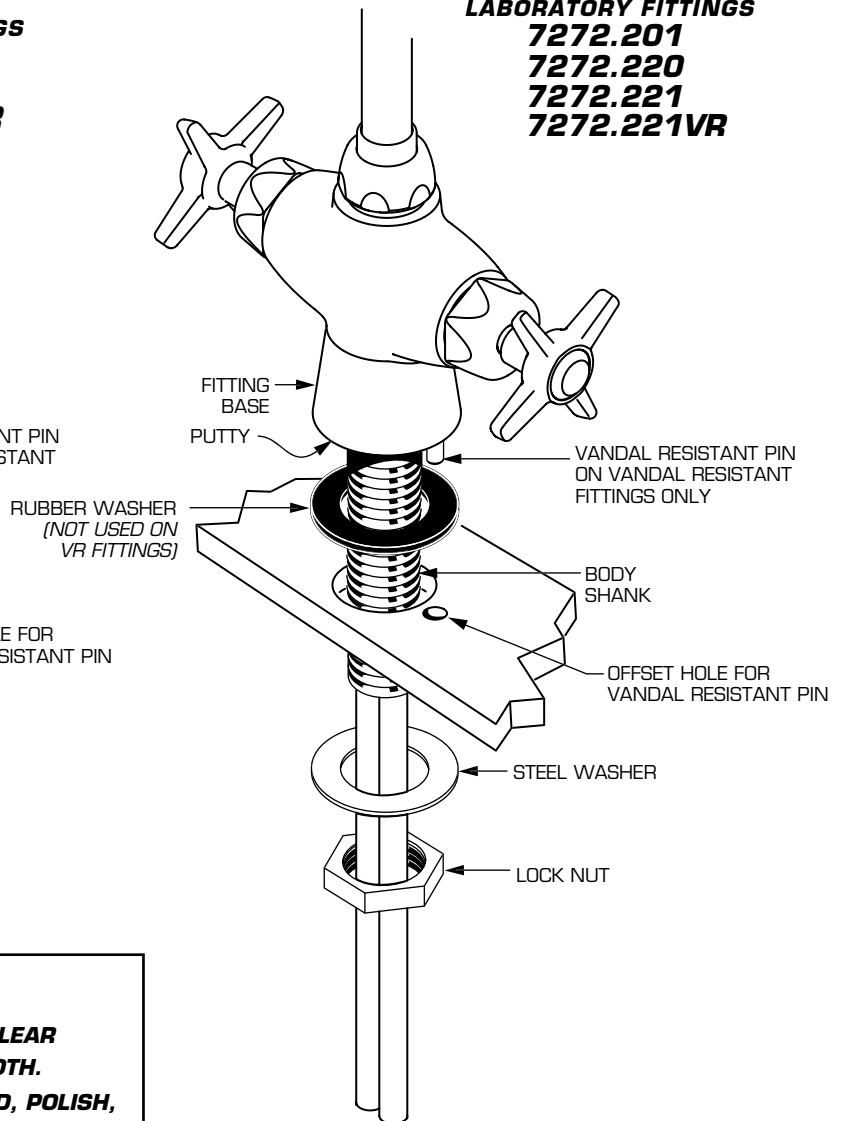
For vandal resistant fitting only, a pin hole will be need to be drilled into the deck offset from the mounting shank hole. **Note: For vandal resistant models it is important to obtain the rough-in drawing for the particular model. The drawing illustrates exact size and positioning of the offset hole. Drill a 1/4" (6mm) dia. hole 3/8" (10mm) deep in mounting surface, per roughing-in dimensions for vandal resistant pin.**

- For vandal resistant fitting apply **putty** to underside of **fitting base** to assure a good seal and level fit.
- When installing a vandal resistant fitting, align **pin** with **pin hole** in mounting surface.
- For standard fitting, assemble **rubber washer** onto **body shank**.
- Place **body shank** through hole in deck and assemble **steel washer** and **lock nut**. Tighten securely.
- Pipe to correct service to complete installation.
- After installation is complete turn service on and check all connections for leaks.

SINGLE CONTROL LABORATORY FITTINGS 7272.120 7272.121 7272.121VR



DUAL CONTROL LABORATORY FITTINGS 7272.201 7272.220 7272.221 7272.221VR



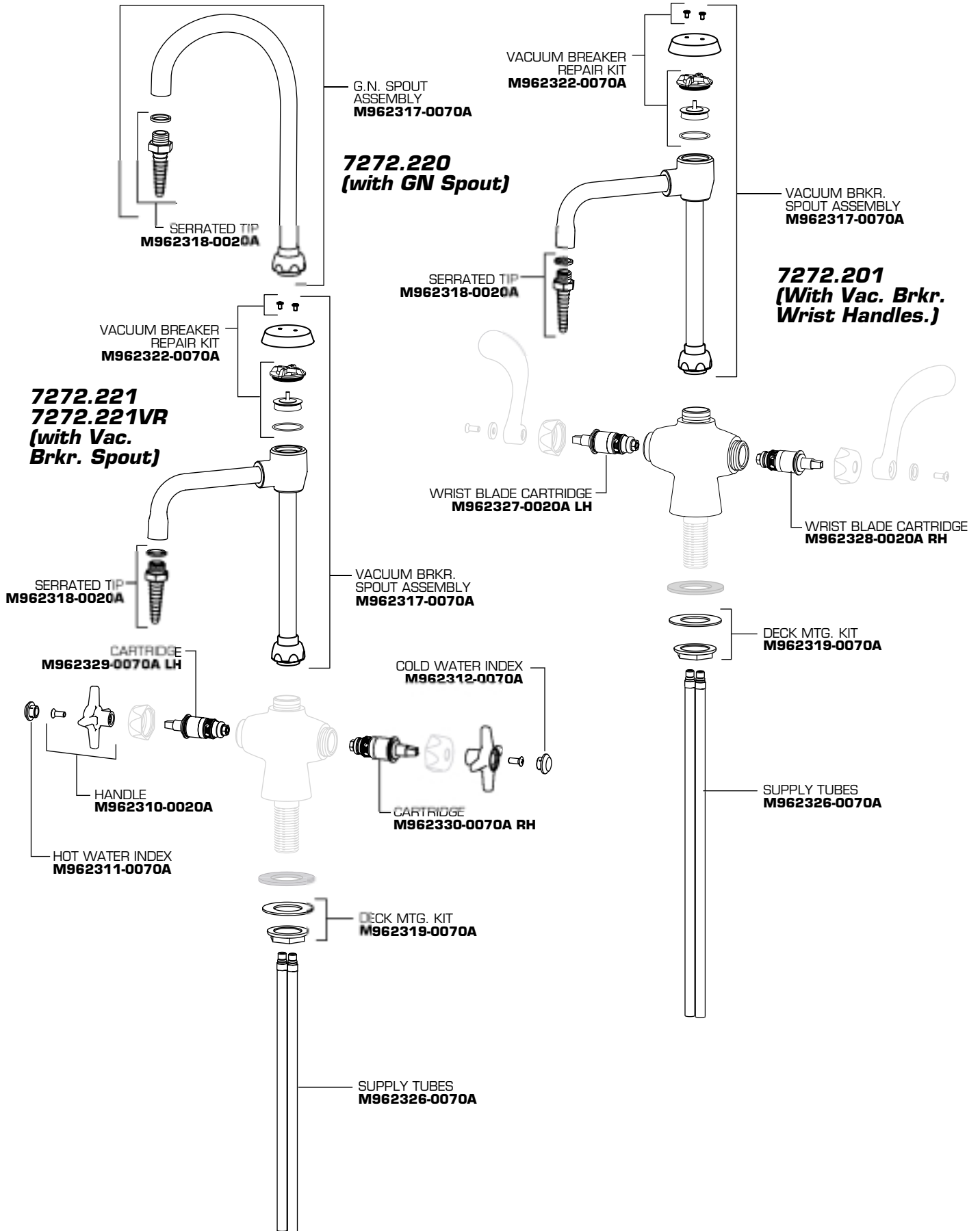
CARE INSTRUCTIONS:

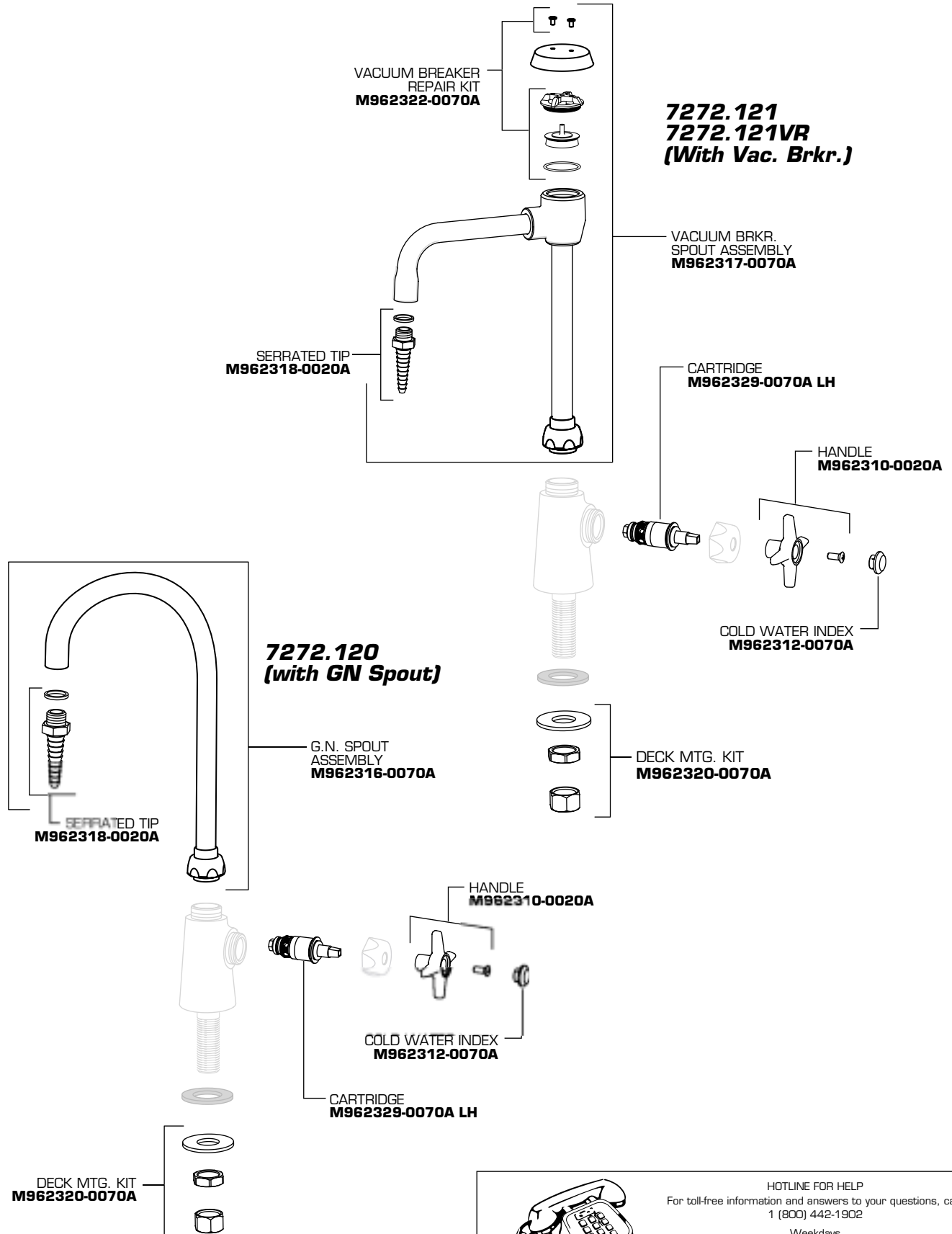

DO: SIMPLY RINSE THE PRODUCT CLEAN WITH CLEAR WATER. DRY WITH A SOFT COTTON FLANNEL CLOTH.

DO NOT: CLEAN THE PRODUCT WITH SOAPS, ACID, POLISH, ABRASIVES, HARSH CLEANERS, OR A CLOTH WITH A COARSE SURFACE.

American Standard
AVAILABLE REPAIR PARTS

DUAL CONTROL
LABORATORY FITTINGS



HOTLINE FOR HELP
 For toll-free information and answers to your questions, call:
 1 (800) 442-1902
 Weekdays
 8:00 to 7:00 p.m. Eastern Time
 CANADA
 1-800-387-0369 (TORONTO 1-905-306-1093)