

DOUBLE BOWL KITCHEN SINK

- Acid-resisting enameled steel
- Double bowl design
- Top mount installation
- Available in 3 or 4 faucet hole configurations
- Silicone sealant supplied

Top Mount:

- 7144.803** 3-Hole
- 7144.804** 4-Hole

Nominal Dimensions:

838 x 559 x 184mm
(33" x 22" x 7-1/4")

Bowl sizes:

359mm (14-1/8") wide
413mm (16-1/4") front to back
178mm (7") deep

Compliance Certifications -

Meets or Exceeds the Following Specifications:

- ASME A112.19.4M for Enameled Steel Plumbing Fixtures

SINGLE BOWL KITCHEN SINK

- Acid-resisting enameled steel
- Single bowl design
- Acid-resisting glossy porcelain finish
- Top mount installation
- Available in 3 or 4 faucet hole configurations
- Silicone sealant supplied

Top Mount:

- 7143.803** 3-Hole
- 7143.804** 4-Hole

Nominal Dimensions:

635 x 559 x 184mm
(25" x 22" x 7-1/4")

Bowl sizes:

552mm (21-3/4") wide
413mm (16-1/4") front to back
178mm (7") deep

Compliance Certifications -

Meets or Exceeds the Following Specifications:

- ASME A112.19.4M for Enameled Steel Plumbing Fixtures



ENAMELED STEEL DOUBLE BOWL SINK



ENAMELED STEEL SINGLE BOWL SINK

SEE REVERSE SIDE FOR ROUGHING-IN DIMENSIONS

To Be Specified:

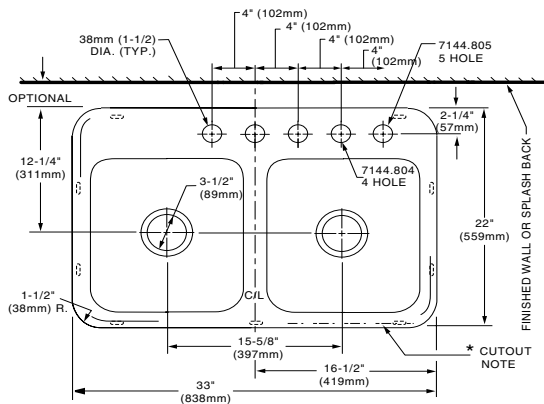
- Color: (specify 208 White Heat or 345 Bisque)
- Faucet*: (specify finish)
- Basket Strainer: 4331.013 (Chrome only)
- Soap Dispenser*: 4503.115 (specify color)
- Trap:

Optional Accessories:

- Large Wood Cutting Board: 9000.250
- Small Wood Cutting Board: 9000.185
- Colander For Cutting Board: 8102.100, Color:
- Large Colander: 8103.100, Color:

* See faucet section for available models

7144.803/804/805 Top Mount



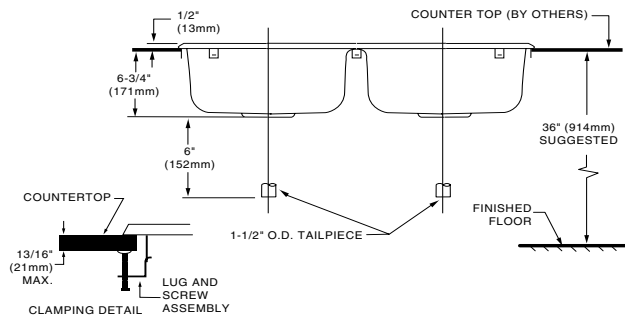
NOTES:

* COUNTERTOP CUTOUT 800 x 521mm WITH 19mm RADIUS (31-1/2" x 20-1/2" WITH 3/4" RADIUS) AT CORNERS.

STRAINERS NOT INCLUDED AND MUST BE ORDERED SEPARATELY.

PROVIDE SUITABLE REINFORCEMENT FOR ALL WALL AND COUNTERTOP SUPPORTS.

IMPORTANT: Dimensions of fixtures are nominal and may vary within the range of tolerances established by ASME Standard A112.19.4. These measurements are subject to change or cancellation. No responsibility is assumed for use of superseded or voided leaflet.



7143.803/804 Undercounter Mount

NOTES:

* COUNTERTOP CUTOUT 597 x 521mm WITH 19mm RADIUS (23-1/2" x 20-1/2" WITH 3/4" RADIUS) AT CORNERS.

● Recommended minimum countertop thickness:

Wood - 19mm (3/4")

Marble and Solid Surface - 12mm (1/2")

STRAINERS NOT INCLUDED AND MUST BE ORDERED SEPARATELY.

PROVIDE SUITABLE REINFORCEMENT FOR ALL WALL AND COUNTERTOP SUPPORTS.

IMPORTANT: Dimensions of fixtures are nominal and may vary within the range of tolerances established by ASME Standard A112.19.4. These measurements are subject to change or cancellation. No responsibility is assumed for use of superseded or voided leaflet.

