

American Standard



CenterSet Faucet

Thank you for selecting American-Standard...the benchmark of fine quality for over 100 years.

To ensure that your installation proceeds smoothly—please read these instructions carefully before you begin.

Installation Instructions 2471



Certified to comply with ASME A112.18.1M
Certifié ASME A112.18.1M

M968286

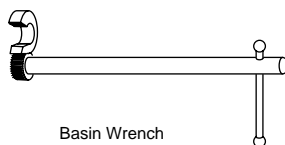
TOOLS REQUIRED



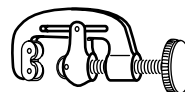
Channel Locks



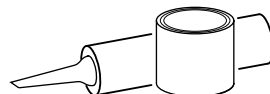
Adjustable Wrench



Basin Wrench



Tubing Cutter



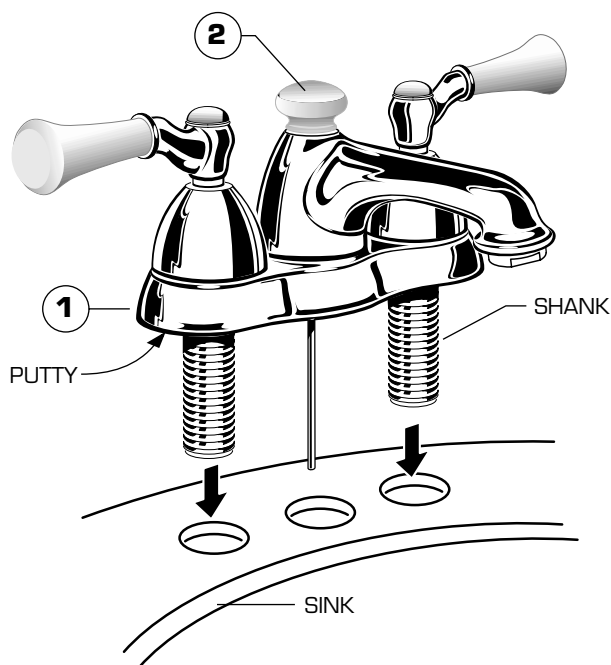
Plumbers' Putty or Caulking

1 INSTALL FAUCET

CAUTION

Turn off hot and cold water supplies before beginning.

- Apply a bead of PUTTY along the edge of the underside of the BODY (1). Insert LIFT ROD (2) through hole in BODY (1).
- Insert faucet SHANKS through holes of SINK. Place faucet as far forward as possible.

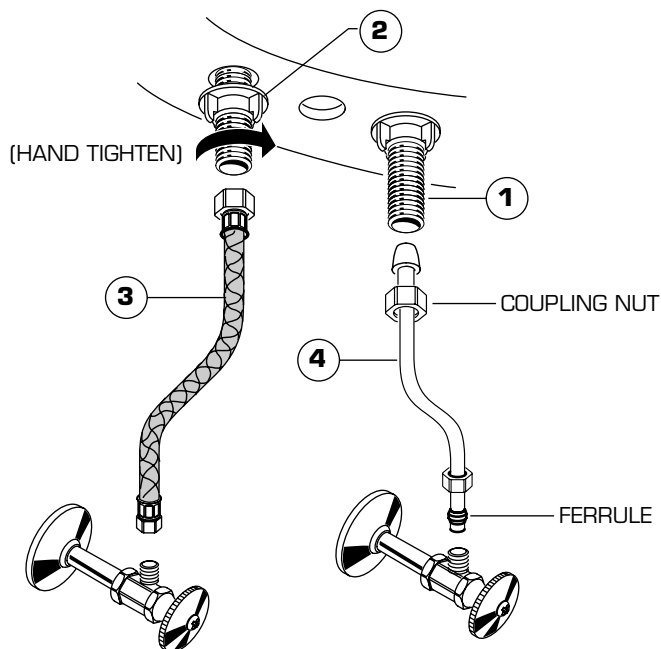


2 SECURE FAUCET AND MAKE WATER SUPPLY CONNECTIONS

- Secure FAUCET (1) with ATTACHMENT NUTS (2) supplied. (HAND TIGHTEN).

NOTE: FLEXIBLE SUPPLIES OR BULL-NOSE RISERS MUST BE PURCHASED SEPARATELY.

- Connect water supply to FAUCET (1) with 1/2" IPS FLEXIBLE SUPPLIES (3) or 3/8" O.D. BULL-NOSE RISERS (4). Use adjustable wrench to tighten connections. Do not over tighten. Be careful not to kink copper supply when bending. Use tubing cutter to cut to proper length.



3 INSTALL POP-UP DRAIN

- Push Tail piece (11) down into Trap (C) (threaded end up).
- Thread Locknut (5), Washer (4) and Gasket (3) (Bevel side up) onto Drain Body (10).
- Apply a bead of Putty (D) to underside of Flange (2).
- Feed Drain Body (10) up through Sink (A) and thread the Flange (2) fully onto Drain Body (10).
- Tighten Locknut (5) firmly, keeping the pivot rod hole pointed towards the back of the sink.
- Assemble Pivot Rod (9) as shown in Figure-4B. Notice the position of the Concave Washer (G).
- Insert Pivot Rod (9) into Drain Body (10) and tighten Pivot Nut (F).
- Push TAILPIECE INSERT (12) into TAILPIECE (11) and push TAILPIECE up and thread tightly into DRAIN BODY (10).
- Position Extension Rod (7) onto Pop-Up Rod (E) and tighten Thumbscrew (6).
- Remove one end of Clip (8) from Pivot Rod (9) by squeezing ends together while sliding.
- Insert Pivot Rod (9) into second or third hole in Extension Rod (7) and reassemble Clip (8).
- Drop Stopper (1) into Drain Body (10).
- Adjust stopper height by repositioning Extension Rod (7) and tightening Thumbscrew (6).

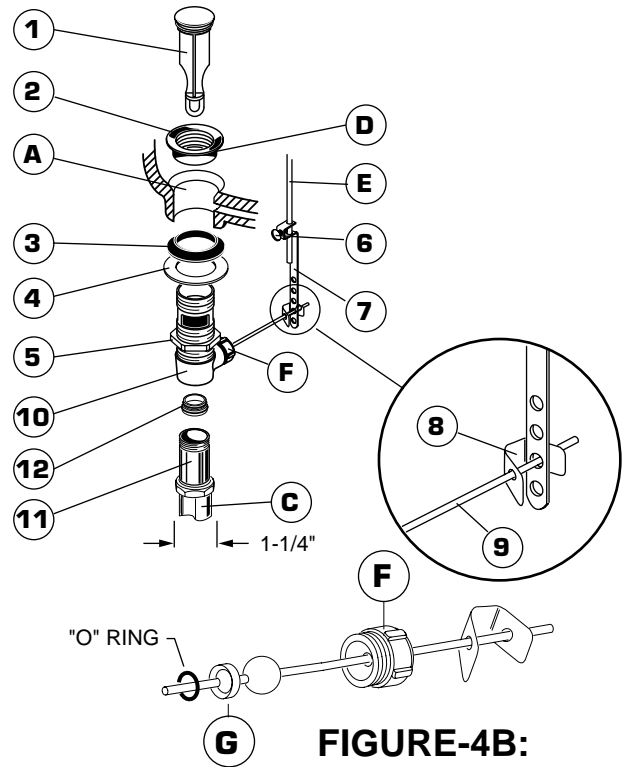
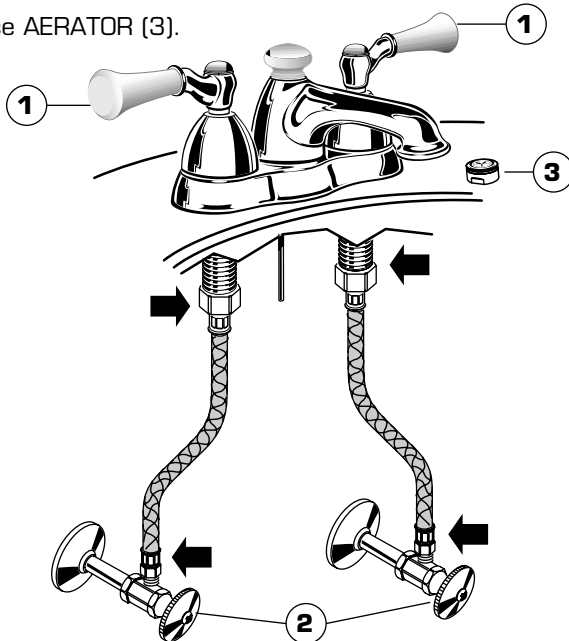


FIGURE-4B:

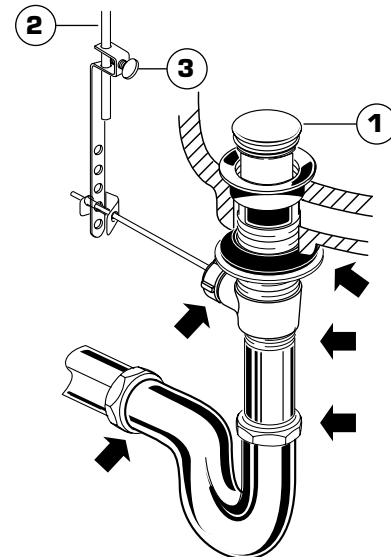
4 TEST INSTALLED FITTING

- With HANDLES (1) in OFF position, turn on WATER SUPPLIES (2) and check all connections for leaks.
- Remove AERATOR (3).
- Operate both HANDLES to flush water lines thoroughly.
- Replace AERATOR (3).



5 CHECK DRAIN CONNECTIONS

- Operate Pop-Up and fill lavatory with water. Check that DRAIN STOPPER (1) makes a good seal and retains water in lavatory. Adjust stopper height by repositioning Pop-Up Rod (2) and tightening Thumbscrew (3).
- Release DRAIN STOPPER (1) and check all drain connections and "P" trap for leaks. Tighten if necessary.



6 CARE INSTRUCTIONS:

- DO: SIMPLY RINSE THE PRODUCT CLEAN WITH CLEAR WATER. DRY WITH A SOFT COTTON FLANNEL CLOTH.**
- DO NOT: CLEAN THE PRODUCT WITH SOAPS, ACID, POLISH, ABRASIVES, HARSH CLEANERS, OR A CLOTH WITH A COARSE SURFACE.**

CenterSet Faucet

MODEL NUMBER

2471

Replace the "YYY" with appropriate finish code

CHROME	002
SATIN	295

M961162-0070A
INDEX BUTTON (HOT)

M961163-0070A
INDEX BUTTON (COLD)

A918572-0070A
HANDLE SCREW

M962243-YYY0A
LEVER HANDLE

M962164-0070A
POP-UP ROD

M918049-0070A
ADAPTER

994053-0070A
VALVE

66070-YYY0A
AERATOR

066116-YYY0A
DRAIN STOPPER

066117-YYY0A
FLANGE KIT

FLANGE

GASKET

WASHER

LOCKNUT

953450-YYY0A
COMPLETE DRAIN ASSEMBLY

070847-0070A
CLIP

072574-0070A
EXTENSION ROD

065800-0070A
ATTACHMENT NUT

024220-0070A
SUPPLY NUT

M961711-0070A
TAILPIECE INSERT

070532-0040A
TAILPIECE

066118-0070A
PIVOT ROD



HOT LINE FOR HELP

For toll-free information and answers to your questions, call:
1-800-442-1902
Weekdays 8:00 a.m. to 8:00 p.m. EST

IN CANADA 1-800-387-0369 (TORONTO 1-905-306-1093)
Weekdays 8:00 a.m. to 7:00 p.m. EST

Product names listed herein are trademarks of American Standard Inc.
© American Standard Inc. 2003

M968286