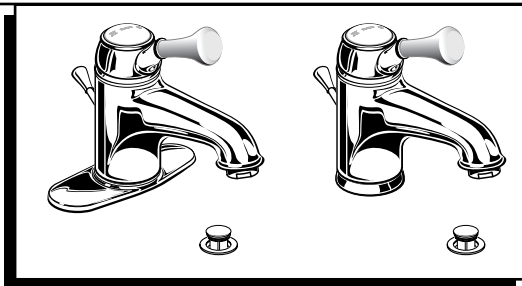




MONOBLOCK LAVATORY FAUCET SINGLE LEVER 2171



Certified to comply with ANSI A112.18.1M

M968291C

Thank you for selecting American-Standard...the benchmark of fine quality for over 100 years. To ensure that your installation proceeds smoothly—please read these instructions carefully before you begin.

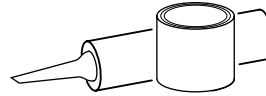
TOOLS REQUIRED



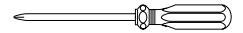
Channel Locks



Adjustable Wrench



Plumbers' Putty or Caulking



Phillips Screwdriver

CARE INSTRUCTIONS:

To keep your new faucet looking new, please follow these simple care instructions:

- DO:**
- Simply rinse the faucet clean with clear water.
 - Dry the faucet with a soft cotton cloth.

DO NOT:

- Do not use any abrasive cleaners, cloths, or paper towels.
- Do not use any cleaning agents containing acids, polish abrasives, or harsh cleaners or soaps.

Regular and routine cleaning will reduce the need for heavy cleaning and polishing. If heavy cleaning is required, the following procedures are recommended:

- Remove as much surface dirt and film using clear water and soft cotton cloth (as described above).
- Use any of the following to remove tough surface film and build-up:
 - Mild liquid detergents
 - Clear ammonia free liquid glass cleaners
 - Non-acidic, non-abrasive gentle liquid or fully dissolved powder cleansers mixed according to manufacturers directions.
 - Non-abrasive liquid polishers
- Once clean, rinse faucet again with clear water to thoroughly remove cleaner or polish and blot dry with a soft cotton cloth.

Failure to follow these care instructions may damage the Faucet's finish.

1 INSTALL FAUCET

CAUTION

Turn off water at main supply.

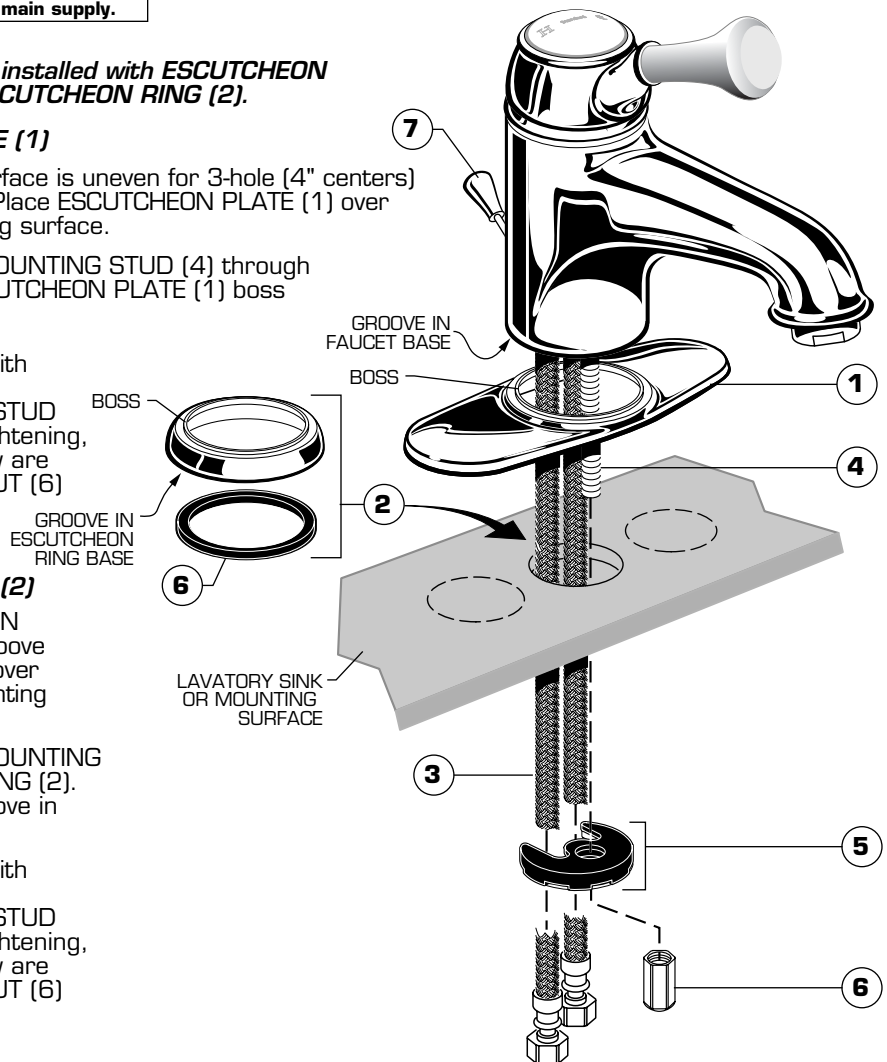
INSTALLATION OPTIONS: Faucet may be installed with ESCUTCHEON PLATE (1) or for center hole only with ESCUTCHEON RING (2).

INSTALLATION with ESCUTCHEON PLATE (1)

- No sealant is required unless mounting surface is uneven for 3-hole (4" centers) installation with ESCUTCHEON PLATE (1). Place ESCUTCHEON PLATE (1) over mounting holes on lavatory sink or mounting surface.
- Feed FLEXIBLE FAUCET HOSES (3) and MOUNTING STUD (4) through hole in ESCUTCHEON PLATE (1). Seat ESCUTCHEON PLATE (1) boss into groove in Faucet base.
- From below, install MOUNTING GASKET with RETAINING WASHER (5) and Nut (6) onto STUD (4). Pull Faucet to front of sink, so STUD (4) rests against sink hole. Before final tightening, align Faucet and ESCUTCHEON (1) so they are centered on mounting surface. Tighten NUT (6) to secure Faucet.
- Insert LIFT ROD (7).

INSTALLATION with ESCUTCHEON RING (2)

- For single hole installation use ESCUTCHEON RING (2). Install SEAL WASHER (6) into groove in ESCUTCHEON RING (2) base and place over mounting hole in lavatory sink or mounting surface.
- Feed FLEXIBLE FAUCET HOSES (3) and MOUNTING STUD (4) through hole in ESCUTCHEON RING (2). Seat ESCUTCHEON RING (2) boss into groove in Faucet base.
- From below, install MOUNTING GASKET with RETAINING WASHER (5) and Nut (6) onto STUD (4). Pull Faucet to front of sink, so STUD (4) rests against sink hole. Before final tightening, align Faucet and ESCUTCHEON (1) so they are centered on mounting surface. Tighten NUT (6) to secure Faucet.
- Insert LIFT ROD (7).



2 INSTALL POP-UP DRAIN

- Push Tail piece (11) down into Trap (C) (threaded end up).
- Thread Locknut (5), Washer (4) and Gasket (3) (Bevel side up) onto Drain Body (10).
- Apply a bead of Putty (D) to underside of Flange (2).
- Feed Drain Body (10) up through Sink (A) and thread the Flange (2) or (2A) fully onto Drain Body (10).
- Tighten Locknut (5) firmly, keeping the pivot rod hole pointed towards the back of the sink.
- Assemble Pivot Rod (9) as shown in Figure-3A. Notice the position of the Concave Washer (G).
- Insert Pivot Rod (9) into Drain Body (10) and tighten Pivot Nut (F).
- Push TAILPIECE INSERT (12) into TAILPIECE (11) and push TAILPIECE up and thread tightly into DRAIN BODY (10).
- Position Extension Rod (7) onto Pop-Up Rod (E) and tighten Thumbscrew (6).
- Remove one end of Clip (8) from Pivot Rod (9) by squeezing ends together while sliding.
- Insert Pivot Rod (9) or (9A) into second or third hole in Extension Rod (7) and reassemble Clip (8).
- Drop Stopper (1) into Drain Body (10).
- Adjust stopper height by repositioning Extension Rod (7) and tightening Thumbscrew (6).

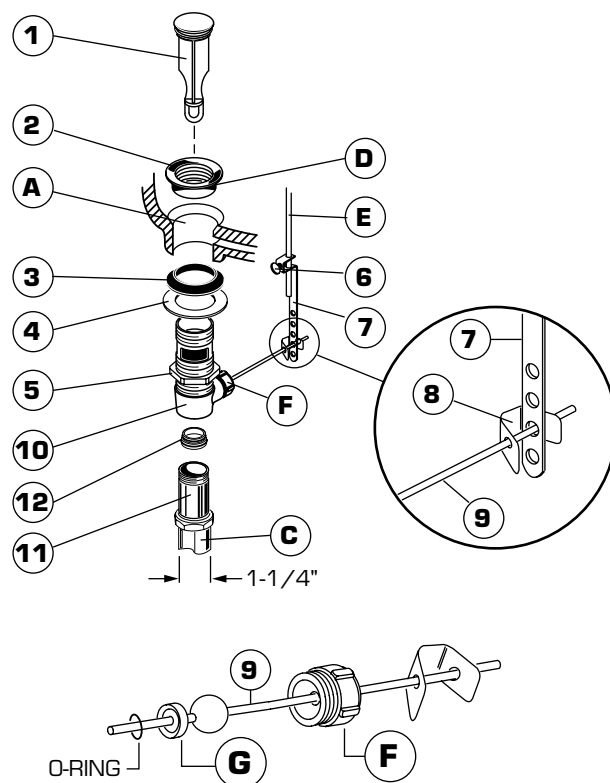


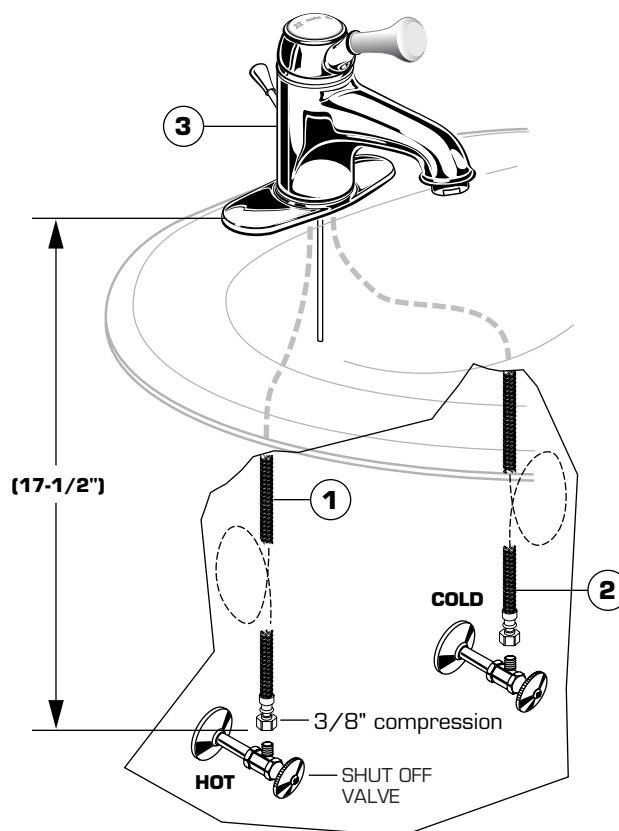
FIGURE-3A:

3 WATER SUPPLY CONNECTIONS

Note: FLEXIBLE HOSES (1, 2) on FAUCET (3) are (17-1/2") in length from base of faucet. If longer supply length is required installer must purchase adapters and additional supplies to complete connections.

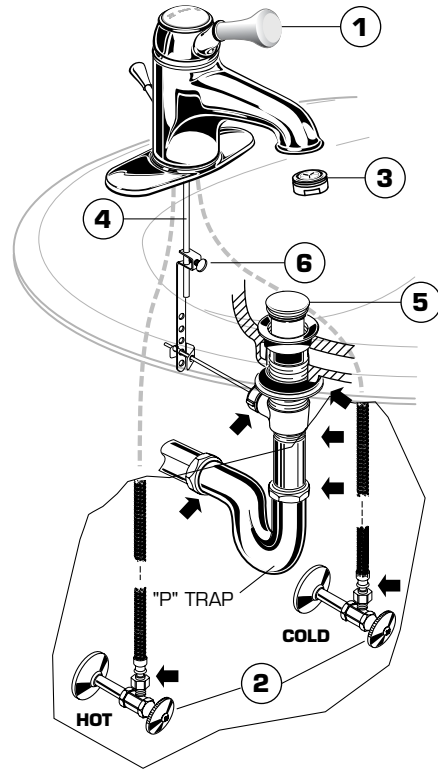
Important: If SUPPLY HOSES (1, 2) are to long, loop as illustrated to avoid kinking . (Do not cut Flexible Hoses 1, 2)

- Connection on FLEXIBLE HOSES (1, 2) are 3/8" compression. Connect LEFT SUPPLY (1) to Hot shut off valve and RIGHT SUPPLY (2) to Cold shut off valve.
- Use adjustable wrenches to tighten connections. Do not over tighten.



4 TEST INSTALLED FAUCET AND CHECK FOR LEAKS

- With HANDLE (1) in OFF position, turn on WATER SUPPLIES (2) and check all connections for leaks. ➡
- Remove AERATOR (3).
- Operate HANDLE (1) to flush water lines thoroughly.
- Replace AERATOR (3).



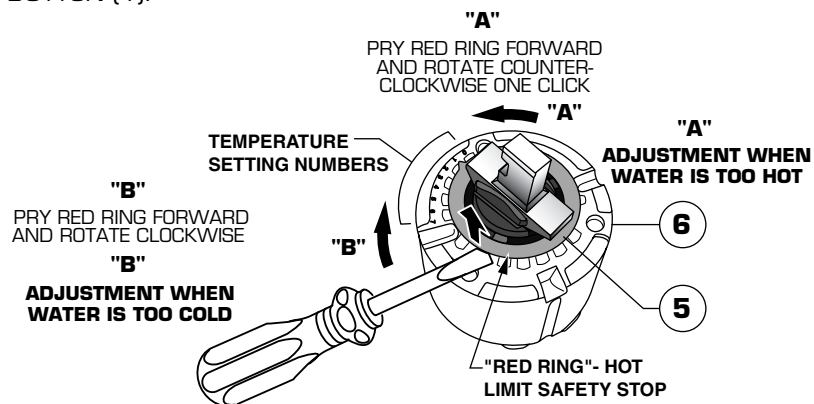
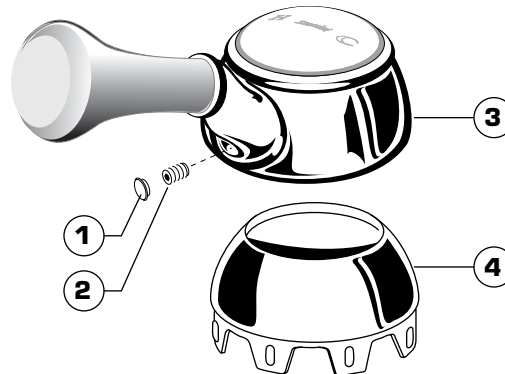
4a CHECK DRAIN CONNECTIONS

- Operate LIFT ROD (4) and fill lavatory with water. Check that DRAIN STOPPER (5) makes a good seal and retains water in lavatory. If necessary adjust stopper height by repositioning LIFT ROD (4) and tightening Thumbscrew (6).
- Release DRAIN STOPPER (5) and check all drain connections and "P" trap for leaks. ➡ Tighten if necessary.

5 ADJUST HOT LIMIT STOP

By restricting HANDLE rotation and limiting the amount of hot water allowed to mix with the cold, the HOT LIMIT SAFETY STOP (5) reduces risk of accidental scalding. To set the maximum hot water temperature of your faucet, all you need to do is adjust the setting on the HOT LIMIT SAFETY STOP (5).

- Remove PLUG BUTTON (1). Loosen HANDLE SCREW (2) and pull off HANDLE (3).
- Pull off CARTRIDGE CAP (4).
- Use a flat blade screwdriver or your fingers to pull up and rotate red HOT LIMIT SAFETY STOP (5). Follow Step "A" or "B" to adjust min./max. discharge temperature. "0" being the hottest to "7" the coldest temperature setting. Factory set at "0".
- Replace CARTRIDGE CAP (4) and HANDLE (3). Tighten HANDLE SCREW (2). Replace PLUG BUTTON (1).

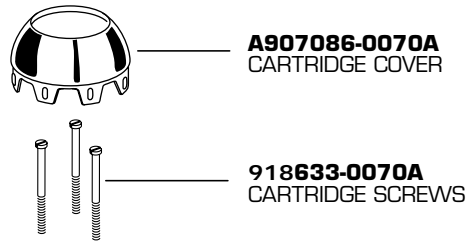
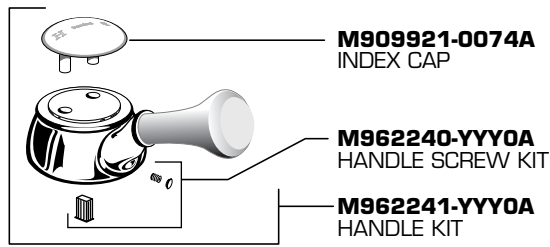


American Standard



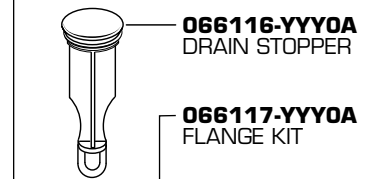
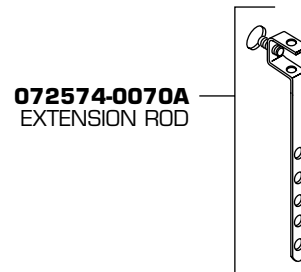
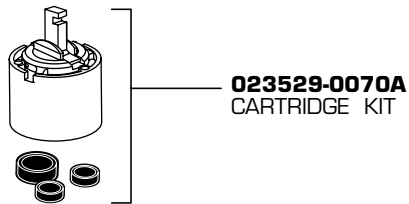
MONOBLOCK LAVATORY FAUCET SINGLE LEVER MODEL NUMBER 918

2171

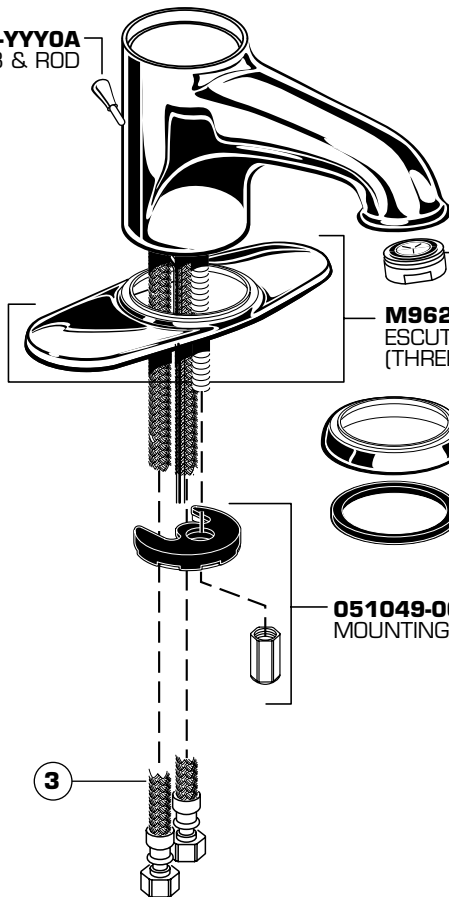


Replace the "YYY" with appropriate finish code

CHROME	002
SATIN	295



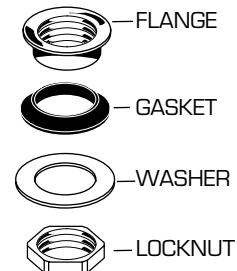
M962242-YYY0A
KNOB & ROD



953450-YYY0A
COMPLETE
DRAIN ASSEMBLY

070847-0070A
CLIP

066118-0070A
PIVOT ROD



HOT LINE FOR HELP
For toll-free information and answers to your questions, call:
1-800-442-1902
Weekdays 8:00 a.m. to 8:00 p.m. EST
IN CANADA 1-800-387-0369 (TORONTO 1-905-306-1093)
Weekdays 8:00 a.m. to 7:00 p.m. EST

Product names listed herein are trademarks of American Standard Inc.
© American Standard Inc. 2003

M968291C