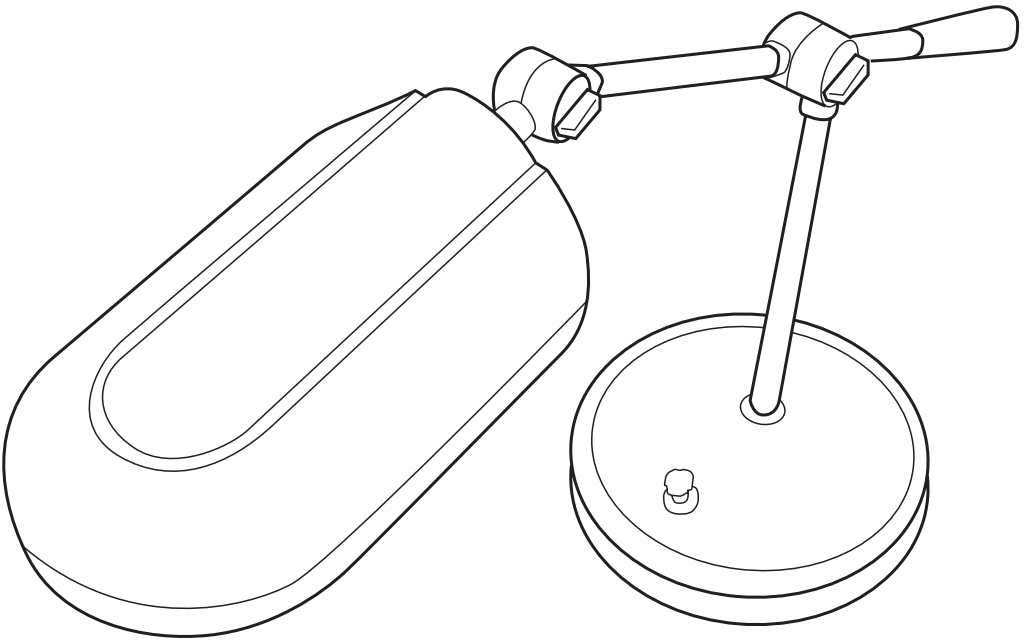


verilux[®]
LIFE IN A BETTER LIGHT[®]



Heritage[™] | Deluxe

Natural Spectrum[®] Desk Lamp

VD03

IMPORTANT SAFETY INSTRUCTIONS

SAVE THESE INSTRUCTIONS

Thank you for purchasing the Heritage™ Natural Spectrum® Deluxe Desk Lamp. Please read the following safety information before using. To reduce the risk of fire, electrical shock, or injury to persons:

- Do NOT dismantle.
- Do NOT alter power cord.
- Turn off/unplug and allow to cool before replacing bulb or cleaning.
- For indoor use only.
- The lamp is an electrical device. DO NOT USE NEAR WATER

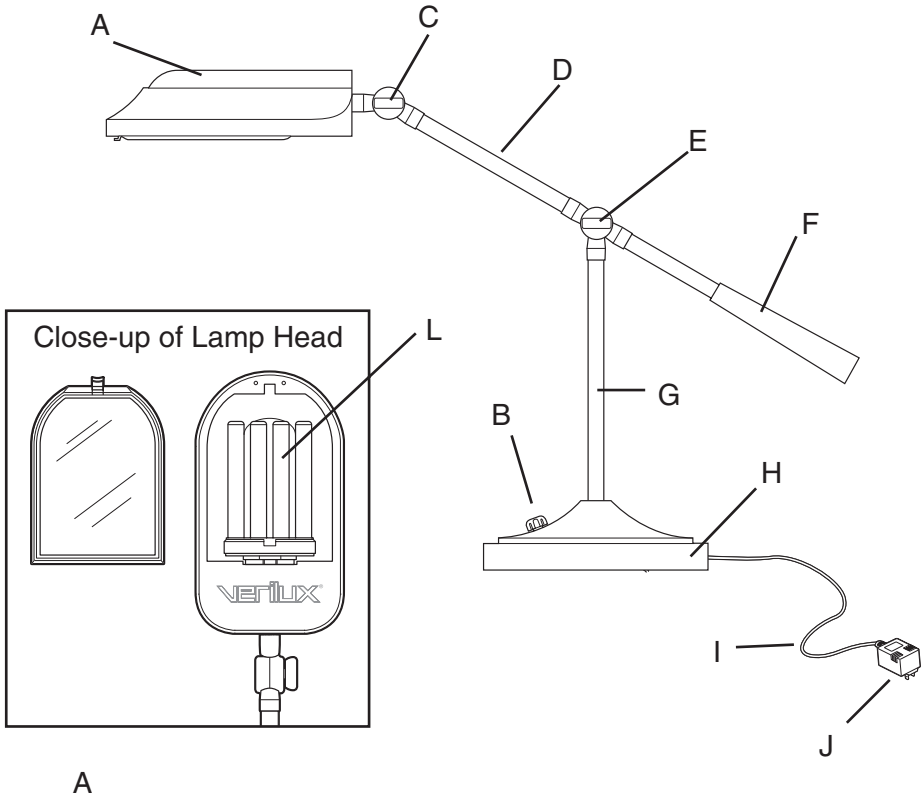
GENERAL PRECAUTIONS

- Before plugging in the lamp, check to make sure the voltage corresponds with the main voltage of your location (120 volts).
- Do not use the lamp outside or in wet locations such as bathrooms. It is intended for indoor, dry use only.
- Not for use with light dimmers, timers, motion detectors or extension cords.
- This product may cause interference with radios, cordless telephones, or devices that use a wireless remote control, such as televisions. If interference occurs, move the product away from the device, plug the product or device into a different outlet, or move the lamp out of the line of sight of the remote control receiver.
- The light bulb may become loose during transit. To reinstall the light bulb, see the bulb installation instructions on page 8.
- Do NOT use lubricating agent in assembly; please see troubleshooting section if you are having difficulty assembling your lamp.
- Unplug from electrical outlet during lightning storms to ensure protection of the electronics.

GETTING STARTED

Main Parts & Controls

- A. Lamp Head
- B. Switch
- C. Lamp Head Swivel Knob
- D. Lamp Arm
- E. Center Swivel Knob
- F. Counter Weight Arm
- G. Vertical Shaft
- H. Lamp Base
- I. Power Cord
- J. Power Supply (Ballast)
- K. Optix® Glare Control Filter
- L. Bulb



ASSEMBLY INSTRUCTIONS

Please Read Operating Instructions Carefully Before Using the Heritage™ Desk Lamp:

1. Set lamp base on the desk and insert the counter weight arm (F) onto the center swivel (E) and screw clockwise to tighten. (Fig.1)
2. To lift lamp head, loosen swivel knob (C), adjust head to desired angle. Tighten swivel knob.
3. Attaching the Optix® glare control filter:
 - Remove glare control filter from protective plastic bag. Take care to hold filter by the edges only.
 - Insert tabs on bottom of filter into opening. (Fig. 2)
 - Press into place using thumb tab.
Do not touch or press on the filter material itself.

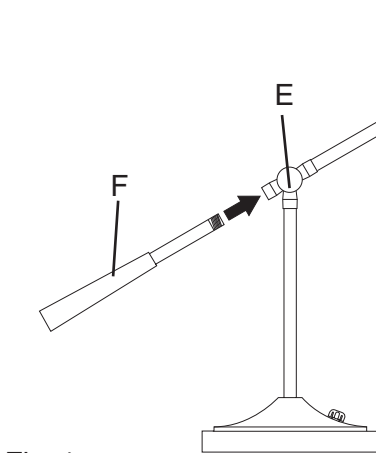


Fig. 1

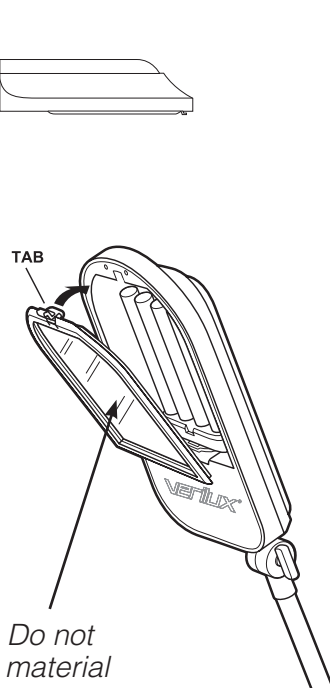


Fig. 2

ASSEMBLY INSTRUCTIONS cont.

4. Attach the ballast to the power cord. Use care to align the 4-pin plug properly. **DO NOT FORCE** – the 4-pin plug was designed to fit in only one orientation. (Fig. 3)

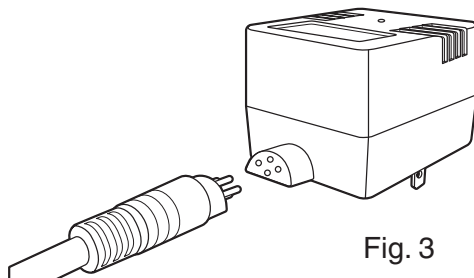
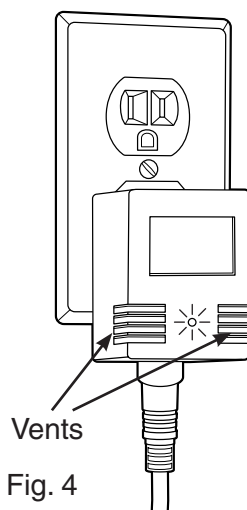


Fig. 3

5. Plug ballast into a standard 120V 50/60Hz outlet. Turn lamp on. The green LED indicator on center of the ballast should be illuminated. (Fig. 4) If the LED indicator does not illuminate, please refer to the troubleshooting section of this manual. (See page 9)
6. If bulb does not illuminate instantly, please refer to the troubleshooting section of this manual.
7. Adjust lamp brightness to the desired level (low-medium-high).

WARNING: Do not block vents on ballast. Vents are necessary for proper function of the ballast; blocking them may cause overheating of the ballast and increase risk of fire.

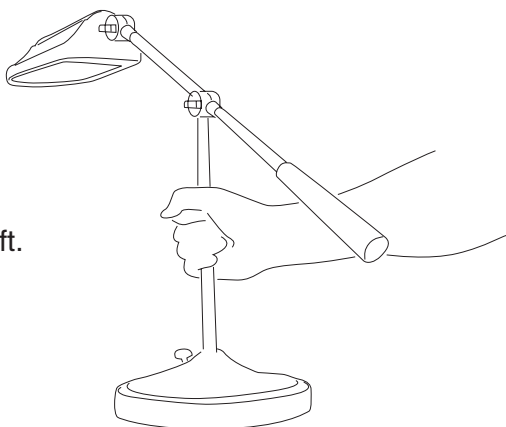


Vents

Fig. 4

Attention!

Lift your lamp by the vertical shaft.



ADJUSTING THE HERITAGE DESK LAMP

The Heritage™ Desk Lamp adjusts several ways:

1. To adjust lamp height – hold lamp arm with one hand, loosen center swivel knob (E). Raise or lower lamp arm (D) to desired height. Tighten knob. (Fig. 5)

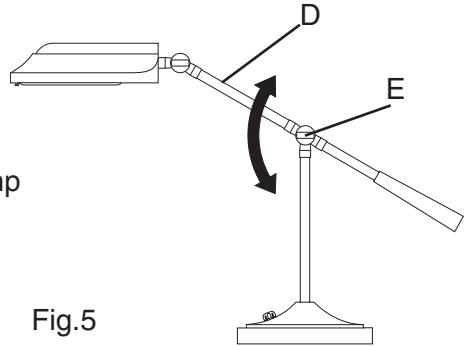


Fig.5

2. To adjust lamp head angle up or down – loosen swivel knob counterclockwise, place head at desired angle, tighten swivel knob to secure. (Fig. 6)

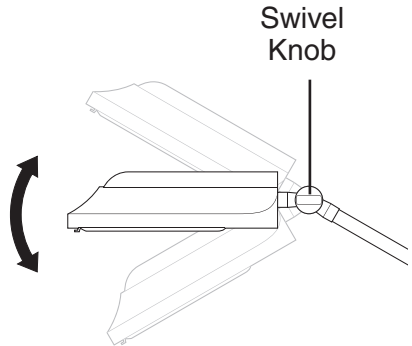


Fig. 6

3. To tilt lamp head toward you or away from you – simply move head to desired position. (Fig. 7)

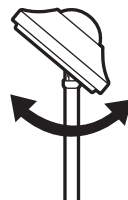
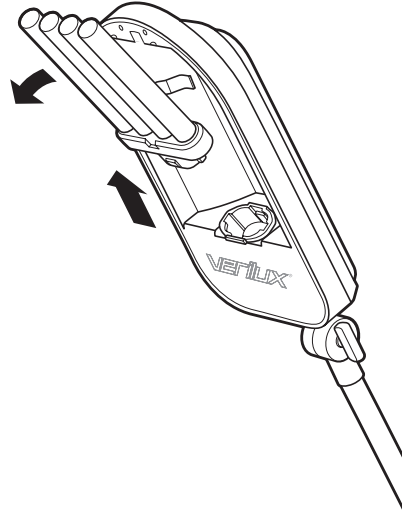


Fig. 7

BULB REPLACEMENT INSTRUCTIONS

Removal

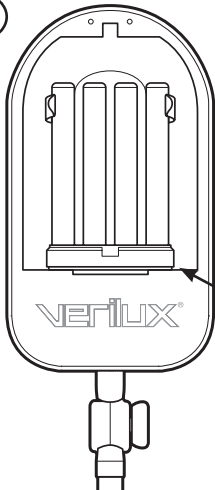
1. Unplug lamp from power source.
2. To access the bulb, remove Optix® glare control filter by depressing the thumb tab and lifting it out.
3. Firmly hold bulb base (B) and pull bulb (C) from the socket (A) in an outward motion. (Fig. 8)



Installation

1. Unplug lamp from power source.
2. Firmly hold base (B) and push bulb (C) into the socket (A).
3. Be sure bulb is firmly seated in the socket (see below) and snapped into the metal bulb clip (D).
4. Replace Optix® glare control filter.

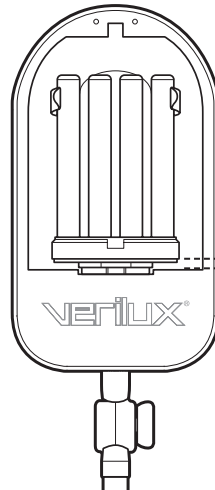
YES



No gap

Correctly seated bulb

NO



Notice large gap

Incorrectly seated bulb

TROUBLESHOOTING

Your Verilux® desk lamp uses advanced micro-electronics to power the revolutionary TruColite™ bulb. These electronics are housed in a specially designed ballast located at the power plug. The LED indicator light on the ballast allows you to troubleshoot any problems with the lamp's function. When replacing your Verilux® ballast, take care to plug in the power cord properly. The 4-pin plug was designed to fit in only one orientation (See Assembly Instructions on page 5).

Before requesting service on your Verilux® lamp, please check the following:

- Make sure all power connectors, cords, and plugs are inserted fully and securely.
- Be sure the bulb is securely seated into the socket. (See page 8).
- Unplug the lamp for a few minutes (this allows the electronics in the ballast to reset).
- Make sure there is power to the wall outlet or try another outlet.

PROBLEM	CHECK	SOLUTION
Light won't come on	Has the plug come loose?	Insert plug securely into wall outlet.
	Is the bulb old?	Check the bulb for blackening/darkening at the ends (an indicator of bulb life) and replace bulb.
	Is the bulb connected securely to the socket?	Be sure the bulb is securely seated into the socket, repeat the bulb installation process.
Blackening/darkening at ends of bulb	Is the bulb new?	Sometimes when a new bulb is turned on for the first time the tube will darken, but this will fade after a few minutes.
	Is the bulb old?	With older bulbs darkening of the tube indicates end of bulb life. (This doesn't affect operation except to reduce the amount of light available since the phosphor in that area has become inactive). Bulb replacement is recommended.
Light flickers	Has the plug come loose?	Insert plug securely into wall outlet.
	Is the bulb connected securely to the socket?	Be sure the bulb is securely seated into the socket, repeat the bulb installation process.
	Is the lamp connected to a dimmer switch?	Connect lamp plug only to wall outlet without a dimmer switch.

WARNING: Do not block vents on ballast. Vents are necessary for proper function of the ballast; blocking them may cause overheating of the ballast and increase risk of fire.

CARE & CLEANING

Your desk lamp is made from high quality materials that will last for many years with minimum care. You may want to periodically clean the lamp, using a mild non-abrasive cleaner and soft cloth. When cleaning, make sure you have turned off and unplugged the unit, and allowed sufficient time for the unit to cool. All liquid should be properly wiped away and dried prior to restoring power.

DO NOT USE SOLVENTS OR CLEANERS CONTAINING ABRASIVES, OR AMMONIA BASED CLEANERS

Note: Do not use any cleaning agents, including window cleaner, on the Optix glare control filter. If needed, dust with a clean, dry cloth.

Please visit our web site at: www.Verilux.com



340 Mad River Park, Waitsfield, VT 05673

1-888-544-4865