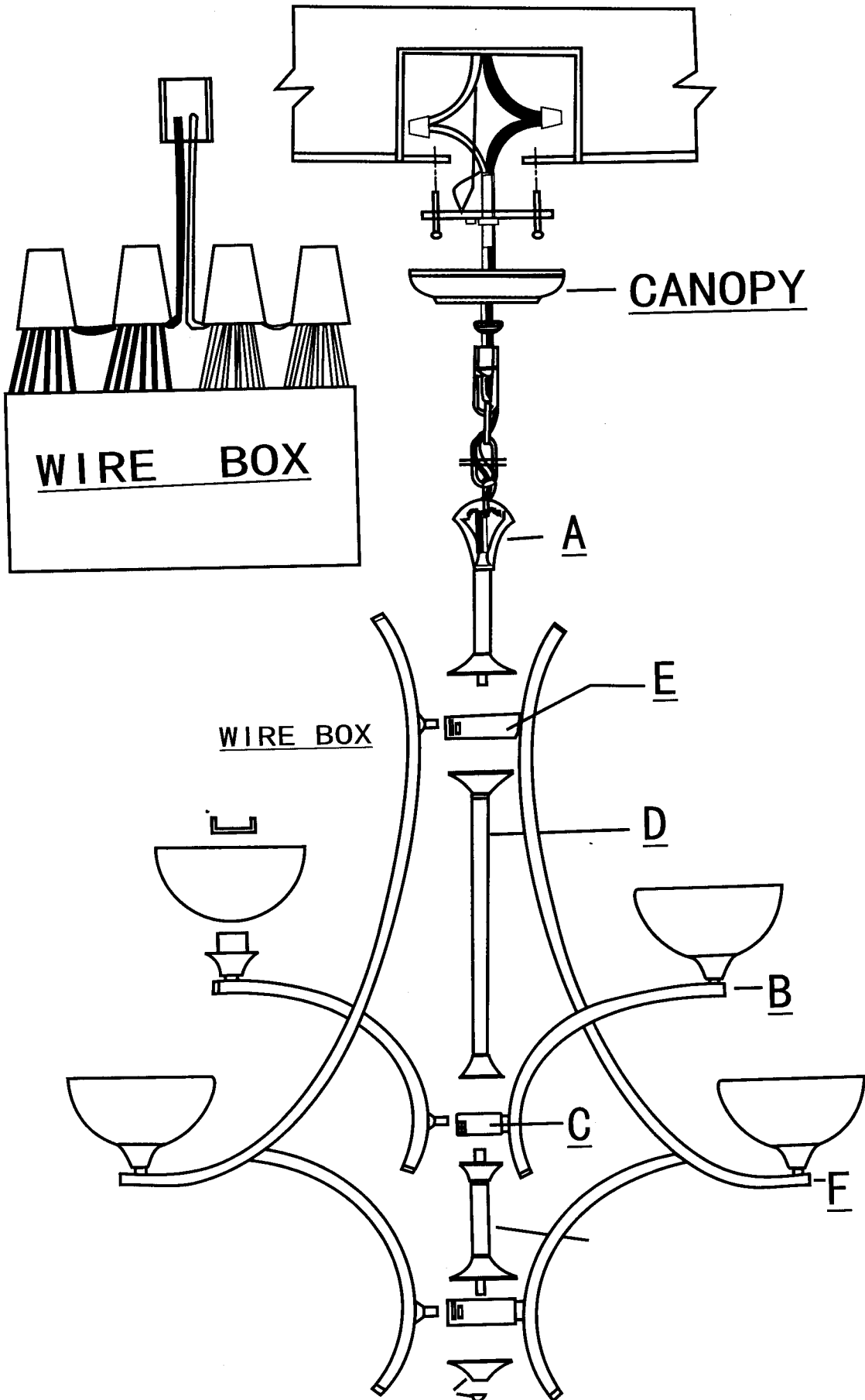


29772. 29775.



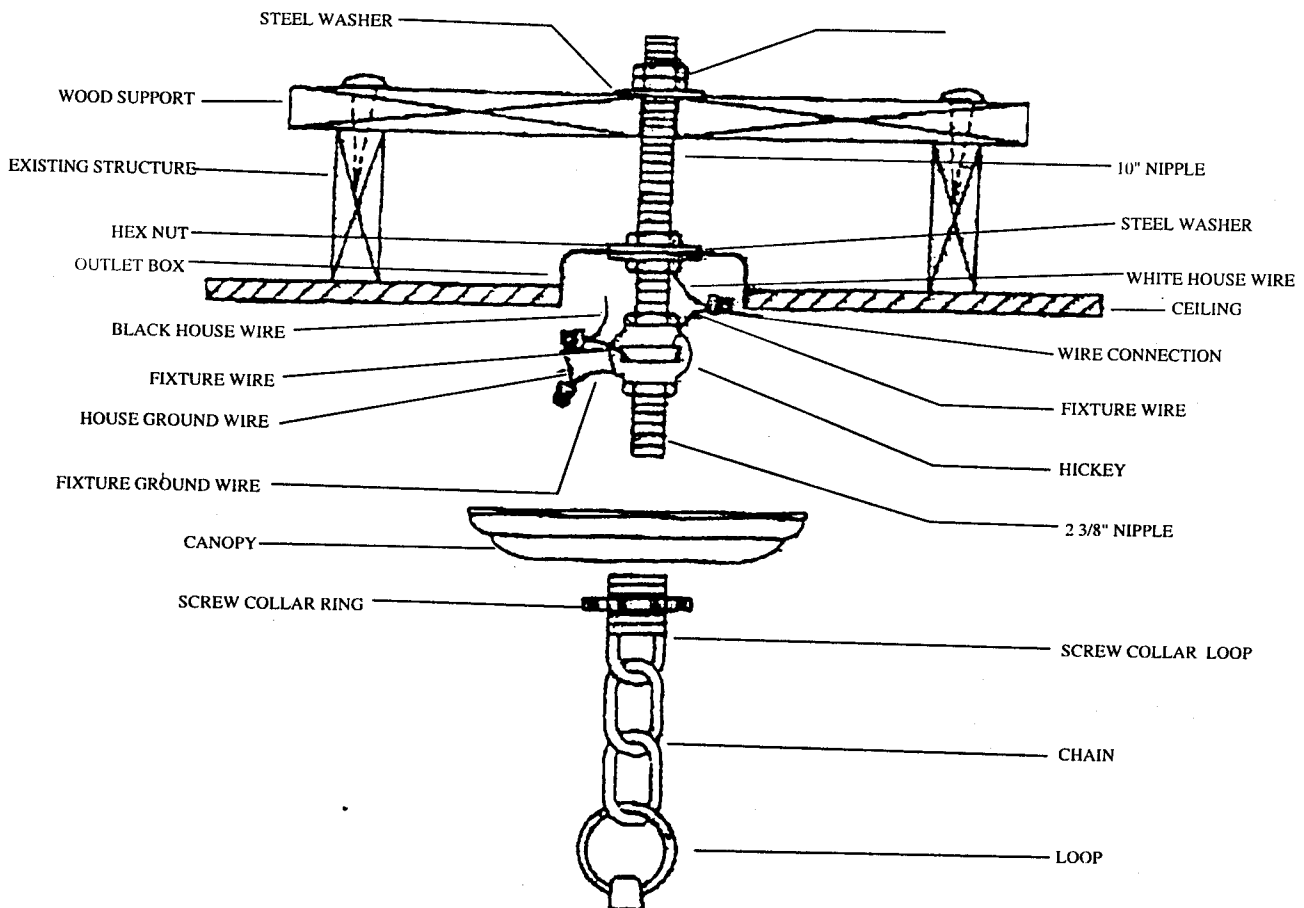
29772 . 29775

ASSEMBLY INSTALLATION

Disconnect power at main fuse box before installing fixture to prevent possible injury from electrical shock. Remove all parts and parts packages from carton.

Warning: Fixtures weighing more than 50lbs. or more must be mounted directly to the building structure.

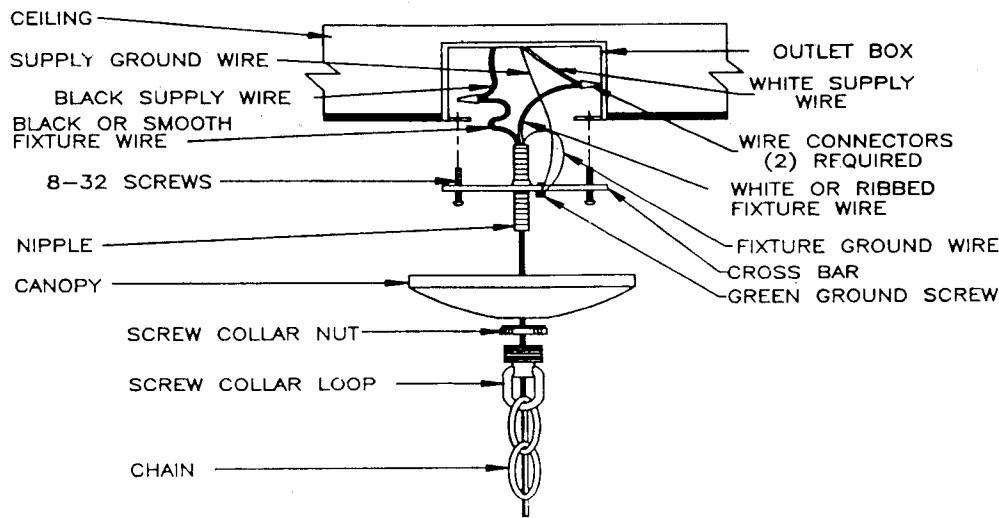
Avertissement: Les accessoires qui pèsent plus que 25 kilogrammes ou doit être plus monté directement à la structure de bâtiment.



- (1) Remove center knockout in outlet box.
- (2) Position wood support across ceiling joists over outlet box. Locate and drill hole for the 3/8" nipple.
- (3) After drilling hole, align wood support over the outlet box and secure with nails.
- (4) Install 10" long nipple through wood support and center hole in outlet box with hex nuts and washers as shown. Rod should extend through outlet box a minimum of 1 1/2". Tighten the two hex nuts above the wood support against each other to lock their position on the nipple.
Caution: Do not tighten hex nuts at outlet box at this time. Leave loose until entire fixture weight is suspended.
- (5) Attach hex nut, hickey, and 2 3/8" nipple onto the end of support rod.
- (6) Connect screw collar loop onto the threaded nipple. Pass canopy over screw collar loop for visual inspection - Approximately one-half of the screw collar loops exterior threads should be exposed. Make necessary adjustments as required and remove canopy.
- (7) Spread a chain link and attach to the fixture loop. Slip threaded ring onto the other end of the chain, then the canopy, then attach chain to screw collar loop.
- (8) Weave electrical wires and ground wire up chain and through the screw collar loop and into the outlet box.

ELECTRICAL CONNECTIONS

- (1) Cut off excess wire leaving 6" for electrical connections. Split the wire into separate leads.
- (2) Connect grounding wire (green or bare copper) from the supply circuit to the grounding wire on the fixture.
- (3) Connect one half of the fixture cord to the white wire of the supply circuit. Connect the other half of the fixture cord to the black wire of the supply circuit.
- (4) CAUTION -No loose strands or loose connections should be present. Secure with UL approved wire connectors and electrical tape.



CHAIN SUSPENDED CHANDELIER INSTRUCTIONS

READ AND SAVE THESE INSTRUCTIONS!

TOOLS AND MATERIALS REQUIRED

Pliers
Flat blade screwdriver
Wiring supplies as required by electrical codes.

Wire cutters
Step ladder

CAUTION: Before assembling your lighting fixture, refer to the section titled **ELECTRICAL CONNECTIONS**. If you feel that you do not have electrical wiring experience, refer to a do-it yourself wiring handbook or have your fixture installed by a qualified licensed electrician.

GENERAL

1. To ensure the success of the installation, be sure to read these instructions and review the diagrams thoroughly before beginning.
 2. All electrical connections must be in accordance with local codes, ordinances, and the National Electrical Code. If you are unfamiliar with methods of installing electrical wiring, secure the services of a qualified licensed electrician.
 3. These fixtures are intended to be mounted to a 4"x2 1/8" deep metal octagon outlet box. The box must be directly supported by the building structure.
 4. Before starting the installation, disconnect the power by turning off the circuit breaker or by removing the fuse at the fuse box. Turning the power off using the light switch is not sufficient to prevent electrical shock.
- NOTE:** The important safeguards and instructions appearing in this manual are not meant to cover all possible conditions and situations that may occur. It must be understood that common sense, caution, and care are factors which cannot be built into any product. These factors must be supplied by the person(s) caring for and operating the fixture.

UNPACK THE FIXTURE

Check the contents of the box. You should receive:

Mounting hardware package	. Column assembly
Arm assembly	. Bottom ball assembly

ASSEMBLE THE FIXTURE

NOTE: FIRST TURN OFF ELECTRICITY

- Refer to figures for illustration of typical fixture parts and assemblies.
1. If you are replacing an existing fixture, disconnect and remove the old fixture. Expose the wiring in the outlet box.
 2. Fasten the crossbar to the outlet box using the two screws supplied with the outlet box. If the nipple is not attached to the crossbar, secure the nipple with the lockwasher and nut provided.
 3. Insert the fixture wire into the bottom of the column assembly. Push the wire through the column assembly until it comes out at the top. Next, pull all of the wire through and then screw the column assembly onto the arm assembly. Screw the ball assembly onto the bottom of the arm assembly.

4. Using pliers, open one end link of chain and attach the chain to the chain loop on the top of the fixture. Adjust the chain length by removing one link at a point best suited to the location and required distance from the ceiling. Weave the wires through the chain links. Attach the chain to the screw collar loop. Place screw collar nut and canopy down the fixture chain. Push the wires up through the screw collar loop.
5. Raise the fixture to the ceiling and push the electrical wire through nipple. Attach the screw collar loop to the nipple by screwing loop onto nipple. Turn the loop at least 3 complete turns to ensure proper mounting. Now you are ready to make electrical connections.
6. Attach grounding wire (green or bare copper) from the supply circuit to the cross bar with the green grounding attachment screw provided. Some models have a grounding wire attached to the fixture. For models that employ a green or bare copper grounding wire, it will be necessary to connect the green or bare copper grounding wire to the grounding conductor of the supply circuit.
7. Make electrical connections-SEE BELOW.

ELECTRICAL CONNECTIONS

To make electrical connections:
Cut excess wire leaving six inches for electrical connections. Fixtures will have a black and white wire or a two wire power supply cord. Split the power supply cord wires into separate leads. Connect the half of the cord that is ribbed or the white wire to the white wire of the supply circuit. Connect the smooth half of the cord (the half with markings) or the black wire to the black wire of the supply circuit. Connect the green or bare copper wire to the **CROSSBAR** grounding screw and the grounding conductor of the supply circuit. Use U.L. Listed wire connectors suitable for the size, type and number of conductors. No loose strands or loose connections should be present. Secure wire connectors with U.L. Listed electrical tape.

FINAL ASSEMBLY

1. Spread the electrical splices so that the black wires are on one side of the outlet box and the white wires are on the other side.
 2. Raise ceiling canopy and screw collar nut up to ceiling and secure to screw collar loop.
 3. Make sure the weight of chain hung fixture is supported by the chain-not the electrical cord. If you install hooks for a swag, they too must engage the chain only. Installation of this type should not be made on a radiant heating type ceiling.
 4. Install light bulbs (not included).
- CAUTION:** Refer to the relamping label located near the lampholder for the recommended maximum wattage-**DO NOT EXCEED RECOMMENDED WATTAGE!**
5. Restore electricity and check the operation of your lighting fixture.

INSTALLATION INSTRUCTIONS

1 : Unpack fixture and identify the following parts :

- Canopy
- Fixture wrench
- Upper column section with hanging loop A
- 6 small upper arms * B
- 1 six-hole distributor ring {for attaching upper arms to center column} C
- Plain column section D
- Two 12-hole distributor rings {for attaching lower arms to center column} E
- 12 large lower arms * F
- Lower column (10" plain) section G
- Cap and finial knob H

***NOTE** Do not remove the protective plastic from the arms until after they are installed. For the installation process, poke a hole in the plastic at each of the mounting points.

2 : Place the plain column section G on a smooth, flat surface.
Place a 12-hole distributor ring E on each end of the column.

3 : Remove the nut and star washer from the two attachment points on a large arm F.
Insert the threaded rods and wires in the distributor rings.

NOTE : The socket cups must be upward. Replace the star washer and nut on each threaded rod and tighten with fingers only at this time.

Repeat this step for the second large arm, placing it directly opposite the first arm, Make sure the upper and lower distributor rings are sitting straight on the center column. Now using a wrench securely tighten the nuts on both arms inside the distributor rings.

Repeat the above steps and securely tighten the nuts with the wrench as you go.

4 : Connect wires for the lower lights. Refer to Connect black wires to black wires; white wires to white wires. Connect black wire lead to one brown jumper wire. Connect white wire lead to the other brown jumper wire. Make sure wire nuts are tight, then secure with electrical tape.

5 : Be sure the jumper wires at the top of column D are threaded through the top of the hickey, not the side of the hickey.

- 6 : Securely tuck the wires into the distributor cup. Screw column section D to the lower section.
- 7 : Carefully pull excess jumper wire through the top of center column, and thread it through the side of upper hickey. Cut off excess jumper wire.
- 8 : Attach upper arms to six-hole distributor ring C.
- 9 : Insert end of the long power cord into the top then through the side of the hickey on column D. Split the end of the cord apart (approx 6"); tie a knot to prevent it from pulling back through the hickey.
- 10 : Connect black wires to black wires; white wires to white wires. Connect black wire lead to one brown jumper wire. Connect white wire lead to the other brown jumper wire. Make sure wire nuts are tight, then secure with electrical tape.
- 11 : Thread power supply wire through the upper column assembly A. Pull slack out of wire as you screw the upper column assembly into hickey on the main center column.
- 12 : Now you can hang the fixture. Follow general instructions included elsewhere with this fixture for wiring to house power and mounting to ceiling.
- 13 : Screw cap and finial knob H into the lower arm distributor.