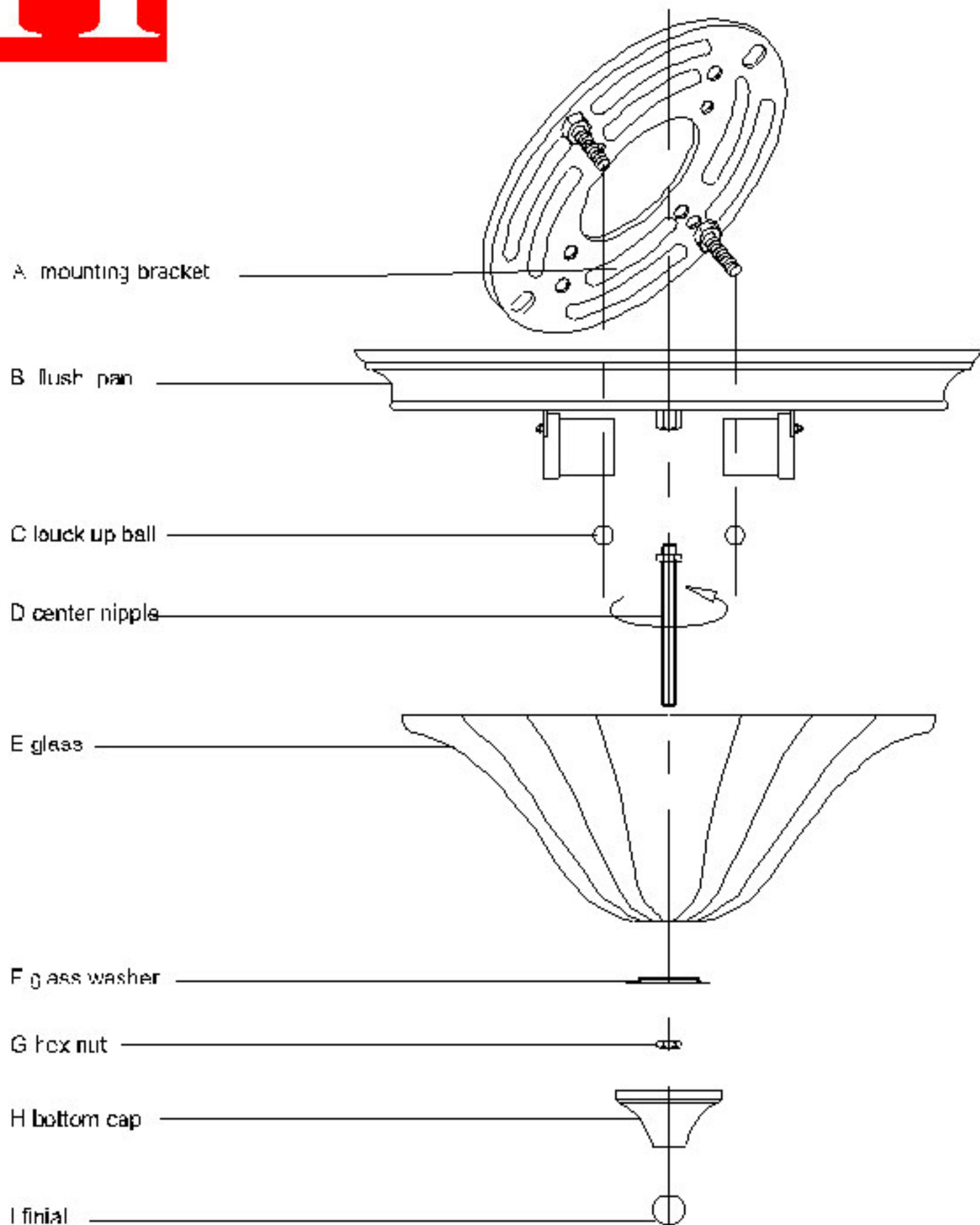




33216 ASSEMBLY INSTRUCTION



STEP

1. Carefully remove the fixture out of the carton, and check that all parts are included referring to the above illustration. Make sure not to misplace any parts that are needed for the installation.
2. Install flush pan (B) onto the mounting bracket (A) and secure with lock up ball (C).
3. Thread the center pipe (D) into the coupling of the flush pan (B) and install proper light bulb (not provided).
4. Slide the glass (E), with center nipple (D) glass washer (F), nut (G), bottom cap (H) and finial (I) accordingly.