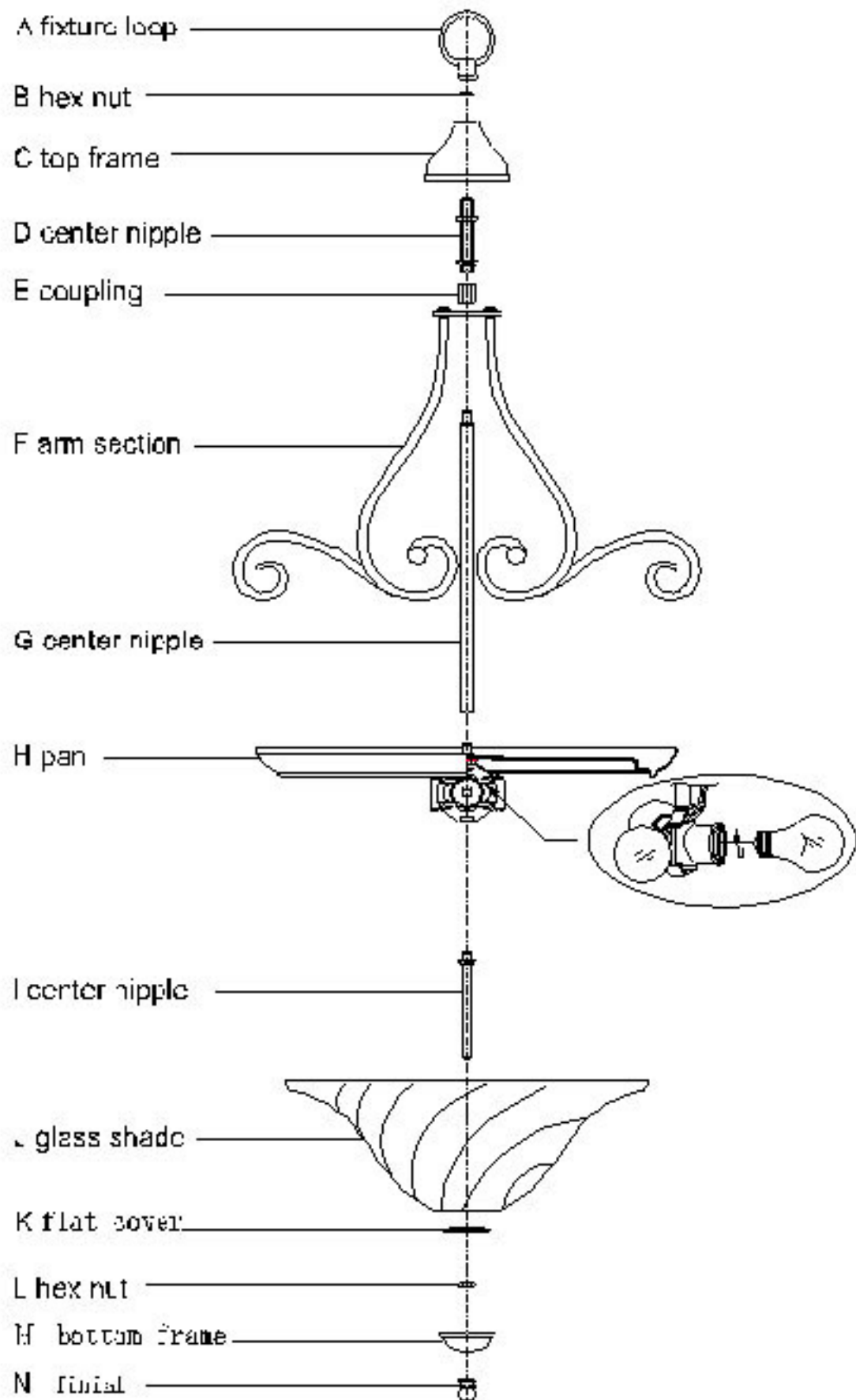




## 33202 ASSEMBLY INSTRUCTION



### STEP.

1. Carefully remove the fixture out of the carton, and check that all parts are included referring to the above illustration. Make sure not to misplace any parts that are needed for the installation.
2. Thread the center nipple(G) on the coupling of the pan(H).
3. Attach the arm section(F) onto the center nipple(G), then thread the coupling (E) on the center nipple(G).
4. Thread the center nipple(D) on the coupling. Then attach the top frame onto the center nipple(D), firm it using the hex nut(B) and fixture loop(A).
4. Thread the center nipple(I) on the coupling of the pan(H).
5. Install proper bulb (not included) onto the socket.
6. Attach the glass shade (K) on the fixture, and firm it using the flat cover (I) and hex nut (L).
7. Attach the bottom frame (L), firm it using the finial(M)