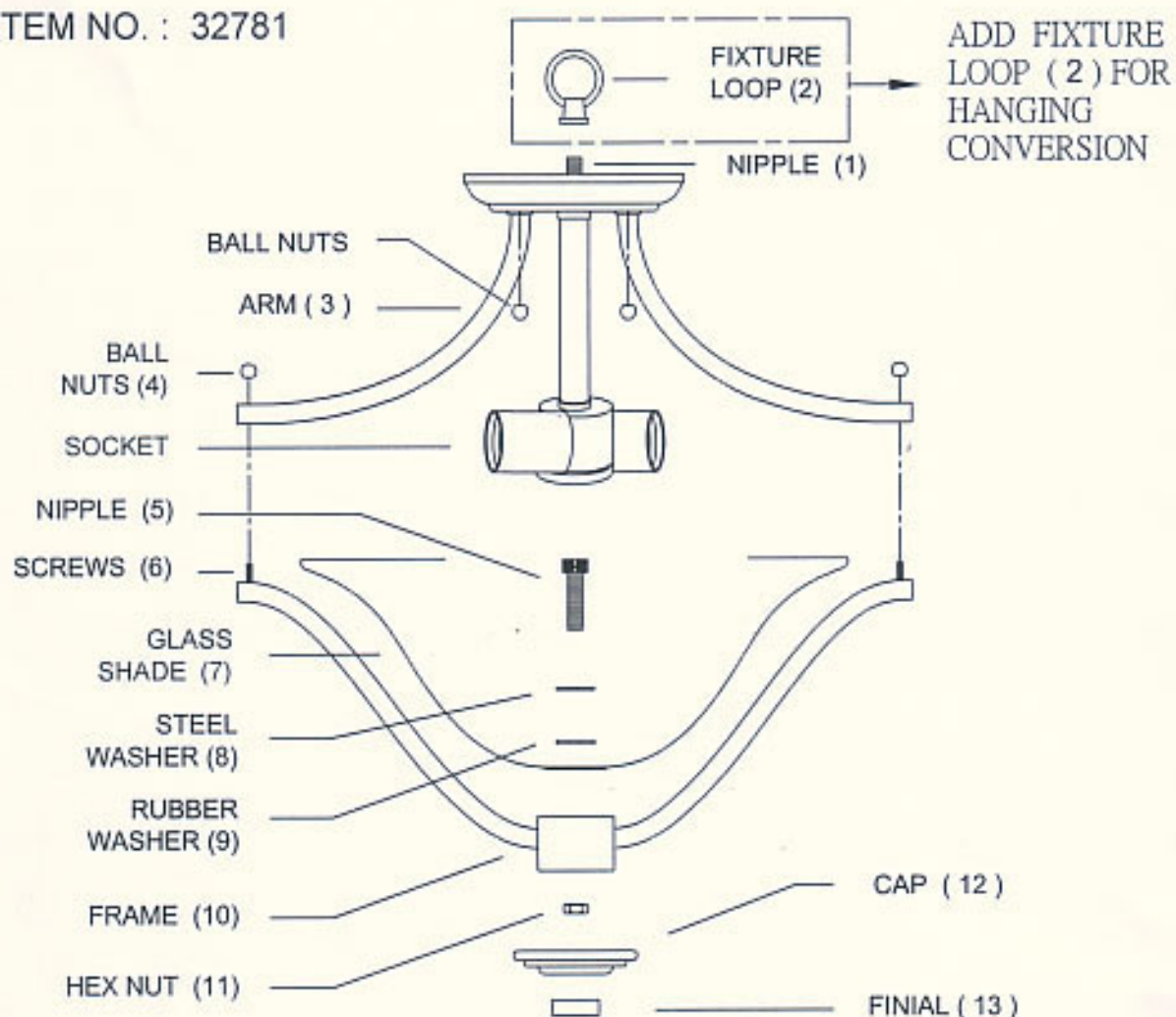


Assembly Instructions

ITEM NO. : 32781



1. Carefully remove the fixture out of the carton, and check that all parts are included referring to the above illustration. Make sure not to misplace any parts that are needed for the installation ;
2. Thread the fixture loop (2) onto the nipple (1) tightly.
3. Turn the ARMS (3) to its proper position.
4. Secure the glass shade (7) with nipple (5) through steel washer (8), rubber washer (9), glass shade (7), frame (10) and then fix it by hex nut (11) (do not over tighten glass).
5. Secure the cap (12) onto the nipple (5) then fix it by the finial (13).
6. Install the ARMS (3) onto the screws (6) then fix it by the ball nuts (4).
7. Install proper bulb (not included).