



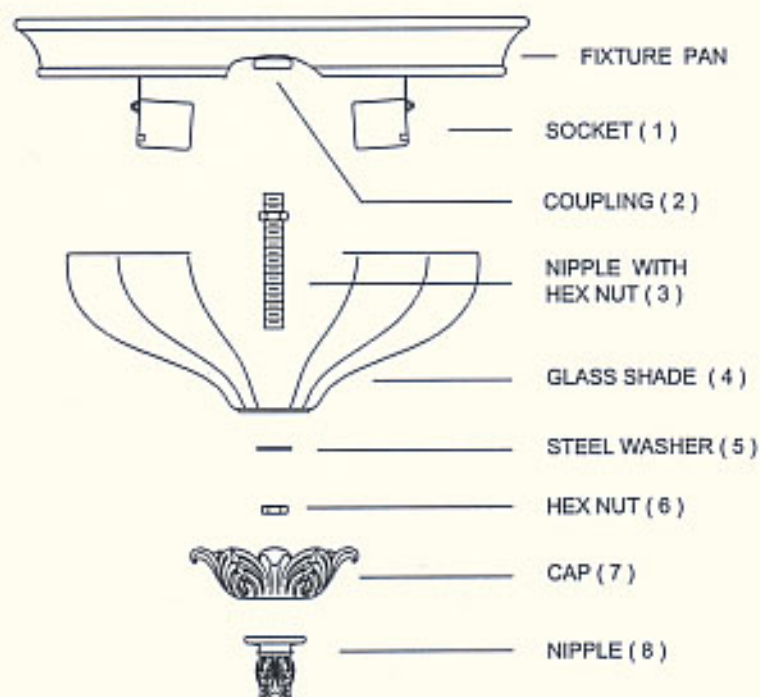
# Assembly Instructions

ITEM NO. :

32766-15

32766-18

32766-25



1. Carefully remove the fixture out of the carton, and check that all parts are included referring to the above illustration. Make sure not to misplace any parts that are needed for the installation;
2. Install proper bulb ( not included ) onto the socket ( 1 ).
3. Thread the nipple ( 3 ) into the coupling ( 2 ) and secure it with hex nut.
4. Slide the glass shade ( 4 ) steel washer ( 5 ) onto the nipple ( 3 ) and secure them with hex nut (6).
5. Slide the cap ( 7 ) onto the nipple ( 3 ) and secure it with finial ( 8 ).