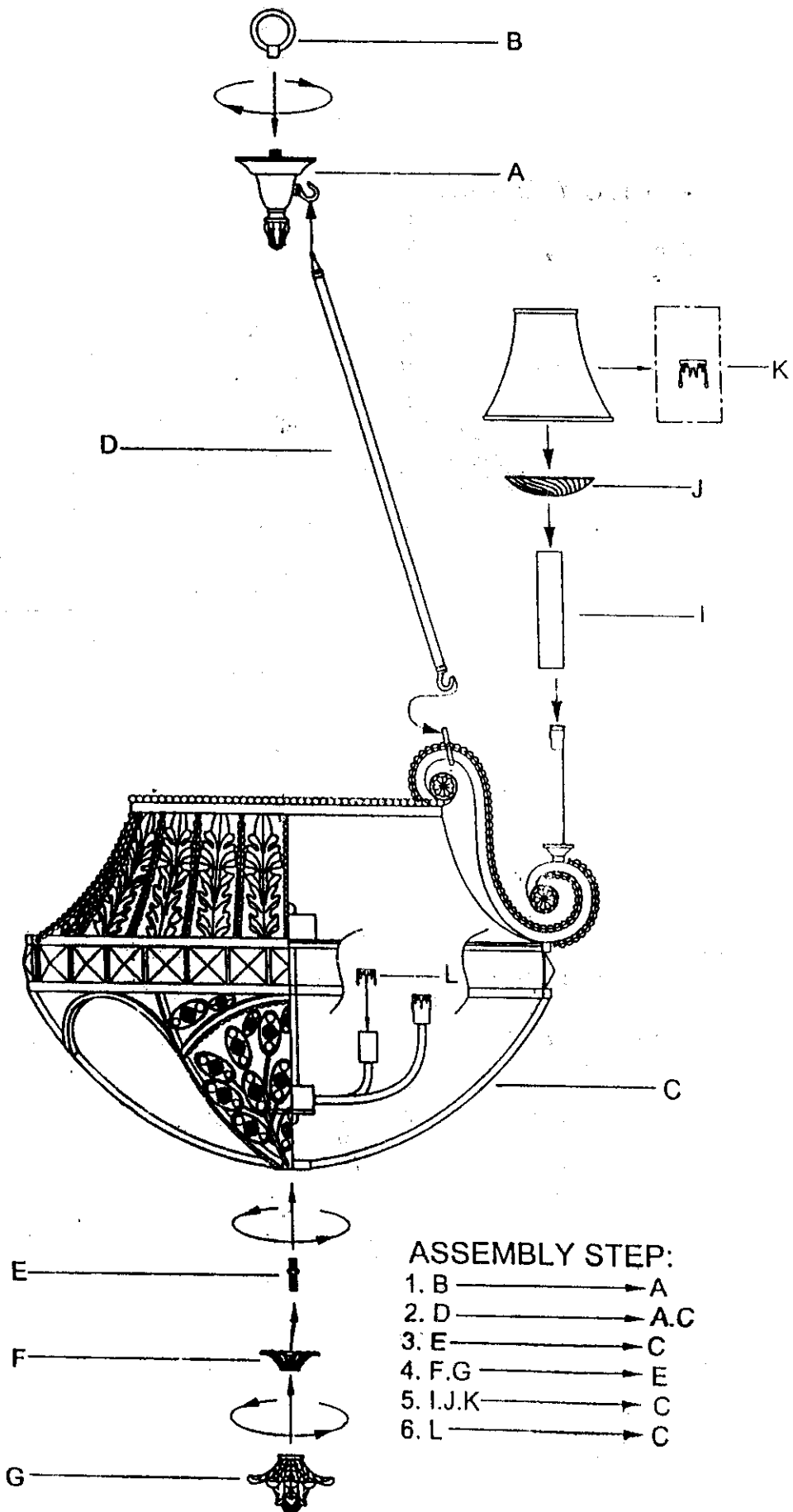
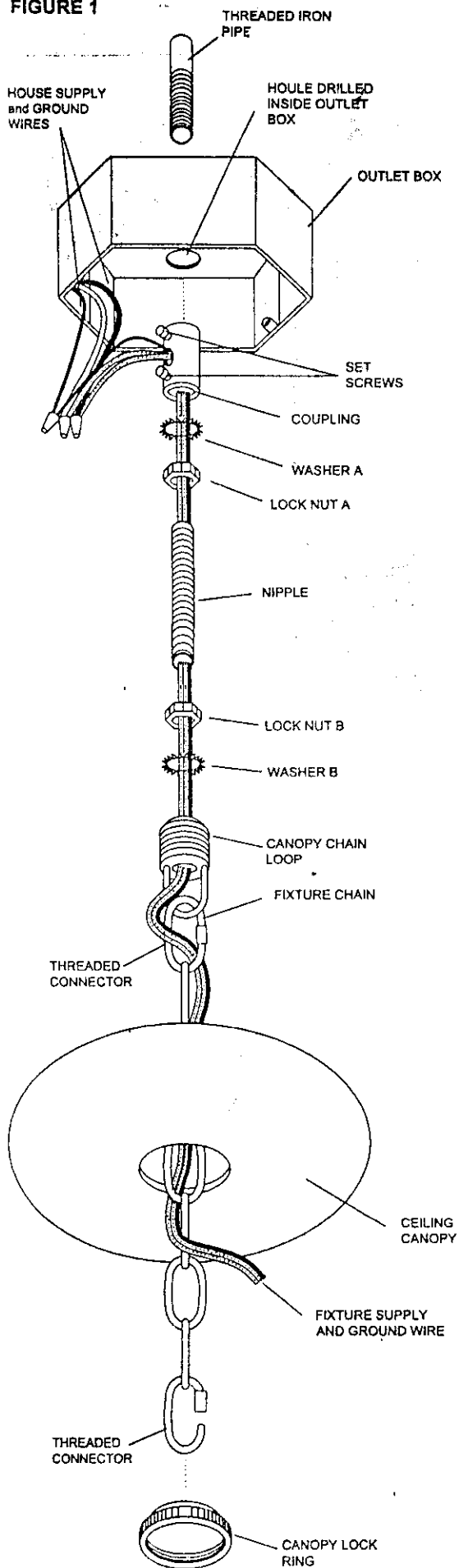


32374



- ASSEMBLY STEP:**
- 1. B → A
  - 2. D → A.C
  - 3. E → C
  - 4. F.G → E
  - 5. I.J.K → C
  - 6. L → C

**FIGURE 1**



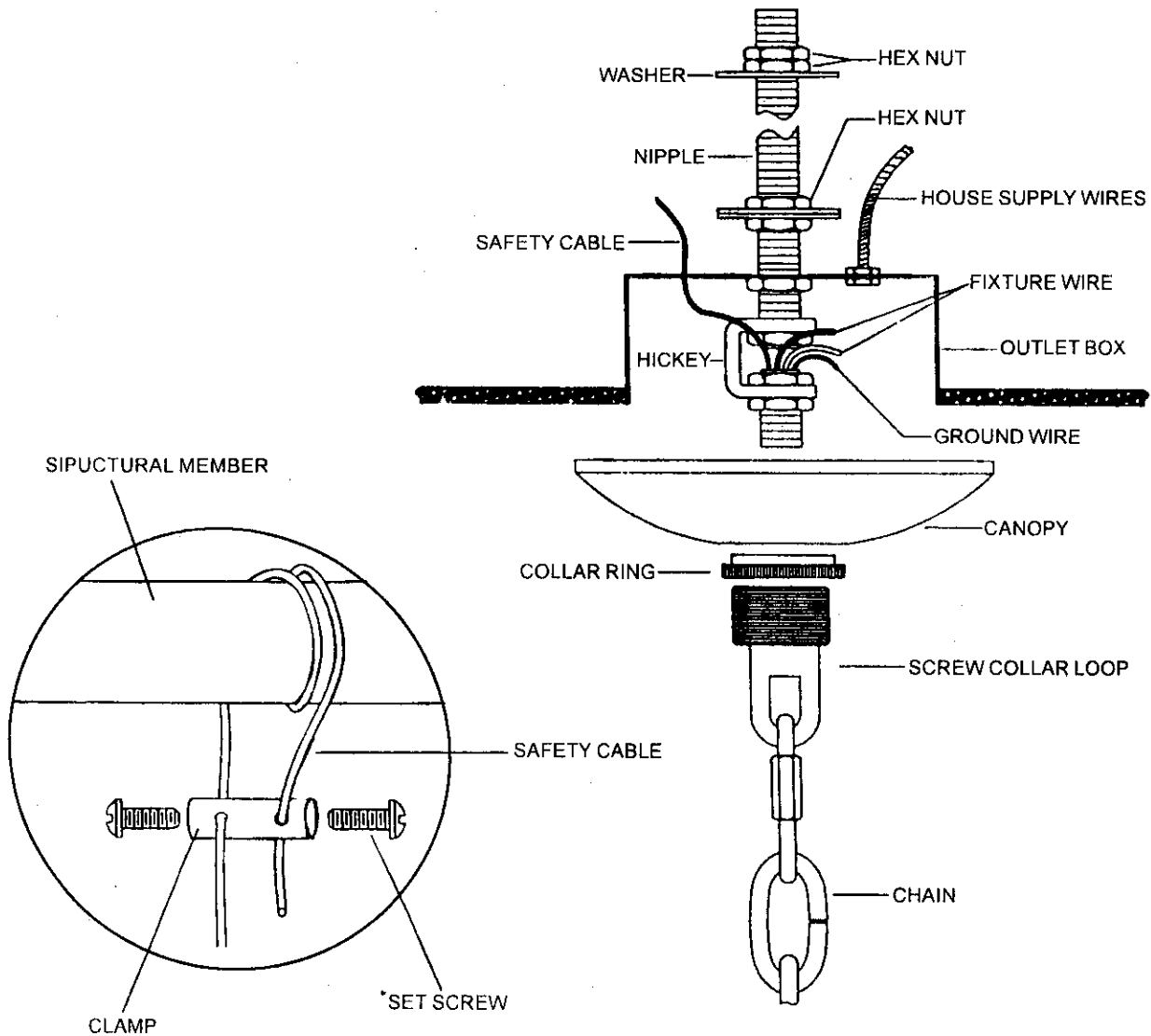
**INSTALLATION INSTRUCTIONS:  
FOR FIXTURE OVER 25 LBS (Canada only)  
FOR FIXTURE OVER 50 LBS (U.S.A. only)**

**We recommends a licensed electrician or contractor be consulted for this installation.**

1. Before installing fixture, carefully unpack and identify all parts referring to illustration FIGURE 1. Be sure the power to the installation point is OFF.
2. This weight of this fixture (over 25 lbs. for Canadian installations) will require a means of support independent of the OUTLET BOX. This fixture must be supported by IRON PIPE with approx. 3/4" of 3/8-18 NPT at top and bottom. Note: IRON PIPE is NOT supplied and length will vary depending on application. The IRON PIPE should be positioned so that 3/4" protrudes into the OUTLET BOX. Note: the opposite end of the PIPE must be attached to a structural or bridging member of sufficient strength to support at least 4 times the fixture weight. A hole must be drilled on the inside top center of the OUTLET BOX. We recommend the consultation of a licensed electrician or contractor due to the complexity of this installation.
3. With the IRON PIPE properly situated, locate COUPLING and proceed to thread onto the end of the IRON PIPE protruding into the OUTLET BOX. Thread COUPLING onto pipe until tight. Tighten the top SET SCREW with pliers to secure COUPLING to IRON PIPE.
4. Making the connections: (We recommends (2) people for the rest of this installation) Proceed to unravel the FIXTURE SUPPLY and GROUND WIRES. Locate the FIXTURE CHAIN and attach one end to the FIXTURE LOOP at the top of FIXTURE. Determine desired hanging height of fixture and adjust chain length. Please note that depending on chain material thickness, you might be required to use chain pliers to spread chain links open. Proceed to pass the FIXTURE SUPPLY and GROUND WIRES through the chain, alternating links. Proceed to pass the wires through the following mounting components in this order: 1) CANOPY LOCK RING, 2) CEILING CANOPY, 3) CANOPY CHAIN LOOP, 4) SHAKE PROOF WASHER B and LOCKNUT B, 5) NIPPLE, 6) LOCK NUT A and SHAKE PROOF WASHER A. Position the fixture over the OUTLET BOX and pass the fixture wires through the bottom center of the COUPLING. Pull wires through the wire way hole on side of COUPLING. Proceed to thread the NIPPLE into the bottom center of the COUPLING until tight. Tighten the LOWER SET SCREW. Proceed to thread LOCK NUT A and SHAKE PROOF WASHER A up NIPPLE until seated against the bottom of the COUPLING. Tighten until snug with pliers. Proceed to attach the FIXTURE GROUND WIRE to HOUSE GROUND WIRE using wire connector (not supplied). Using wire connectors, connect the HOUSE WHITE WIRE to the FIXTURE SUPPLY WIRE (WHITE or RIBBED SIDE); Connect the HOUSE BLACK (or RED) WIRE to the FIXTURE SUPPLY WIRE (BLACK or SMOOTH SIDE). Wrap all connectors with approved electrical tape.
5. With the proper connections made, proceed to thread the CANOPY CHAIN LOOP onto the bottom of the NIPPLE. Proceed to attach the top of the FIXTURE CHAIN to the bottom of the CANOPY CHAIN LOOP. Proceed to thread LOCK NUT B and SHAKE PROOF WASHER B down onto the top of the CANOPY CHAIN LOOP. Tighten and snug with pliers.
6. Proceed to push the CEILING CANOPY upward over the OUTLET BOX. Be sure that all wires are carefully tucked into the OUTLET BOX cavity. Secure canopy against ceiling by threading CANOPY LOCK RING onto the CANOPY LOOP. Tighten until snug.
7. Restore power to installation point ON. Retain this sheet for future reference.

**IF IN DOUBT ABOUT ELECTRICAL INSTALLATION,  
CONSULT A LICENSED ELECTRICIAN!**

# SAFETY CABLE INSTALLATION INSTRUCTIONS



## IMPORTANT:

FOR A SAFE AND SECURE INSTALLATION, THESE FIXTURES MUST BE INSTALLED BY MEANS OF SUPPORTS THAT ARE INDEPENDENT OF THE OUTLET BOX.

## SUGGESTED INSTALLATION:

1. Provide a 1/4 IPS pipe with one end securely mounted to a beam or a structural member. The other end should protrude through the center of the outlet, as shown.
2. Assemble the screw collar loop, nipple, hex nuts and hickey to center 1/4 IPS support pipe and adjust overall length to allow the collar ring to hold the canopy flush to the ceiling. When the adjustments have been completed secure the hex nut, as shown.
3. Attach the chain to the fixture loop. Slide the screw collar ring over the upper end of the chain, through the canopy (Finished side down). Open the end link of chain and lift the fixture to attach to the screw collar loop and secure the link.
4. Lace the fixture wires, ground wires and safety cable through the chain and screw collar loop, existing through the side of HICKEY. Proceed to attach the FIXTURE GROUND WIRE to HOUSE GROUND WIRE using wire connector. Using wire connectors, connect the HOUSE WHITE WIRE to the FIXTURE SUPPLY WIRE (WHITE or RIBBED SIDE) connect the HOUSE BLACK (or RED) WIRE to the FIXTURE SUPPLY WIRE (BLACK or SMOOTH SIDE). Wrap all adheators with approved oleatroat tape, Wrap saret cable around outlet box brace and pull cable taut. Secure cable with the clamp and (2) set screws provided, as shown.
5. Push the CANOPY upward over the OUTLET BOX. Be sure that all wires are carefully tuoked into the OUTLET BOX cavity. Secure canopy against ceiling by threading CANOPY LOCK RING onto the CANOPY LOOP. Tighten until snug.