

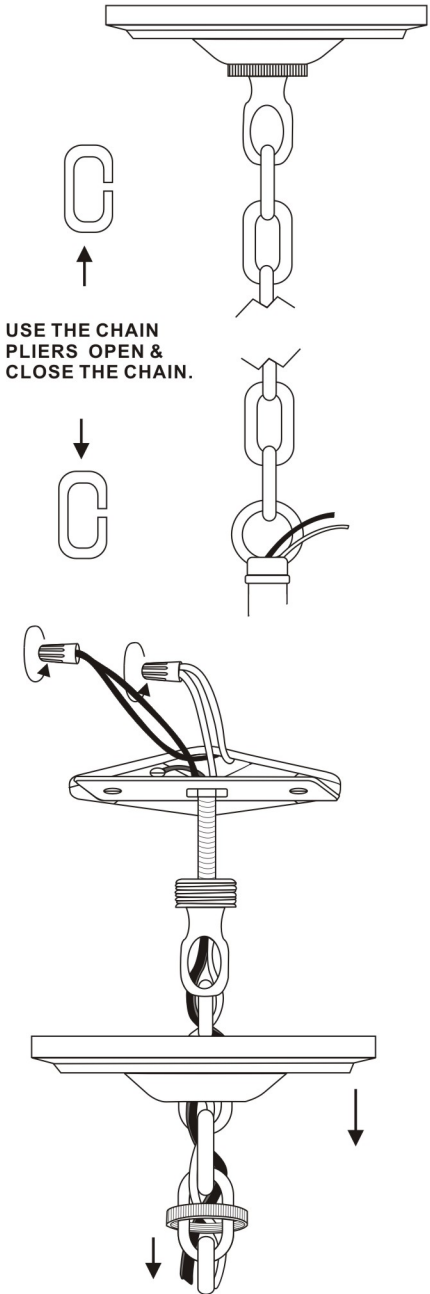
# Instructions for Canopy kits

**WARNING:**

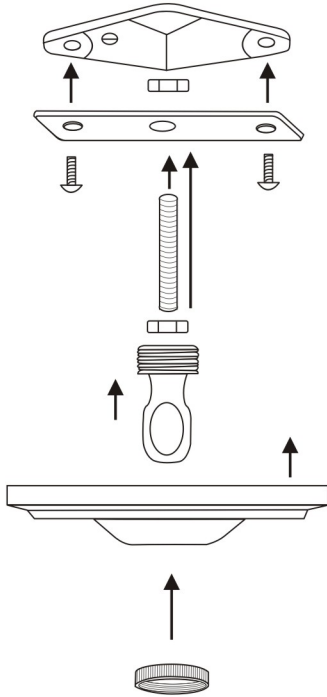



Electrical Danger    Turn Power Off

All electrical components must be installed by a licensed electrician in accordance with the National Electric Code and the appropriate local electrical codes.

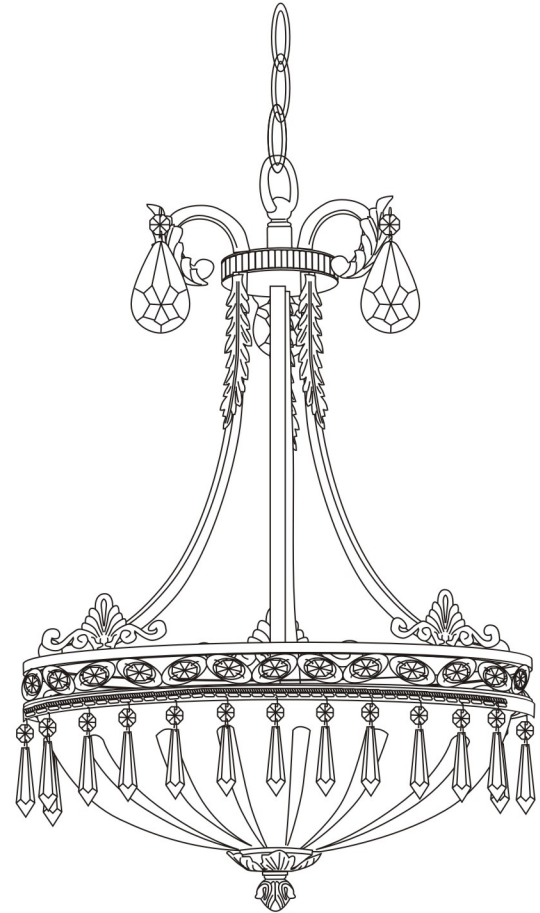


USE THE CHAIN PLIERS OPEN & CLOSE THE CHAIN.

You will need 5 - Med. Bulb  
40 Watts Recommended  
60 Watts Max  
Bulb not included.

# ITEM NUMBER:# 32322 INSTRUCTIONS



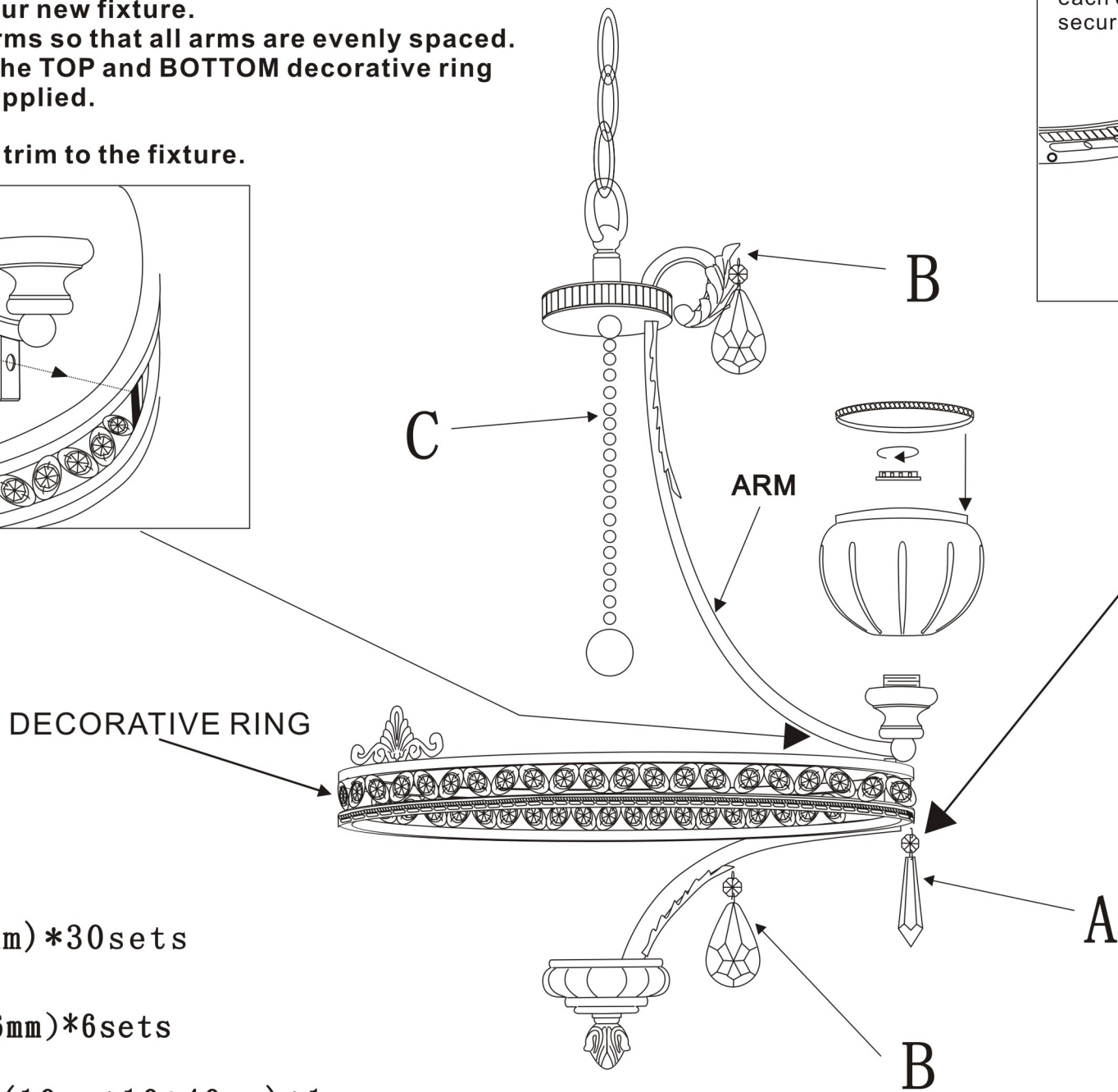
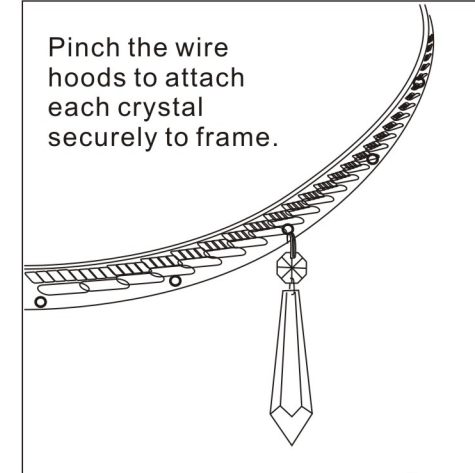
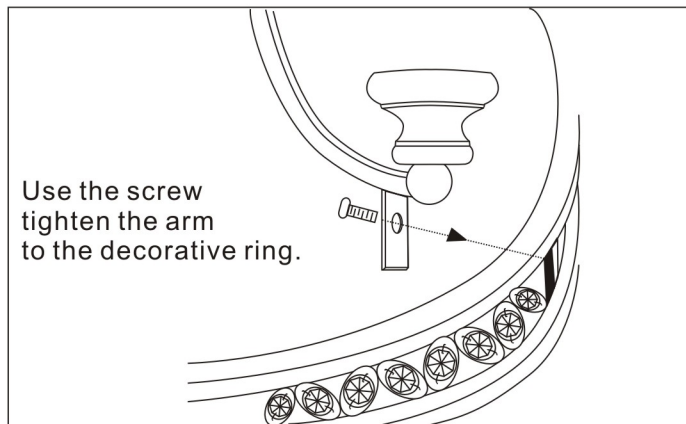
# MODEL#:32322 ASSEMBLY AND DRESSING INSTRUCTIONS


## Step 1 (Assembly for your fixture)


- A ] Carefully unpack your new fixture.
- B ] Simply unfold the arms so that all arms are evenly spaced.
- C ] Attach each arm to the TOP and BOTTOM decorative ring using the screws supplied.

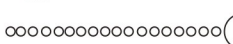
## Step 2

### Hanging the crystal trim to the fixture.



A  (14mm+80mm)\*30sets

B  (14mm+76mm)\*6sets

C  (10mm\*10+40mm)\*1pc