


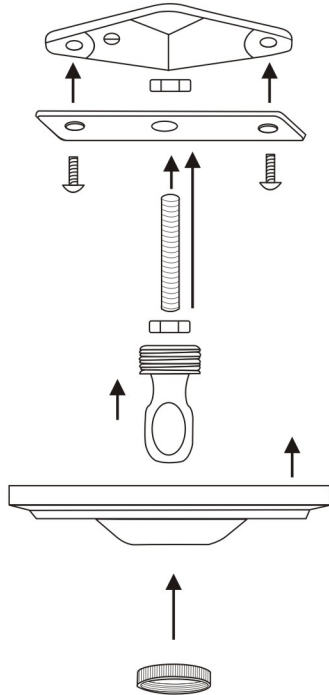
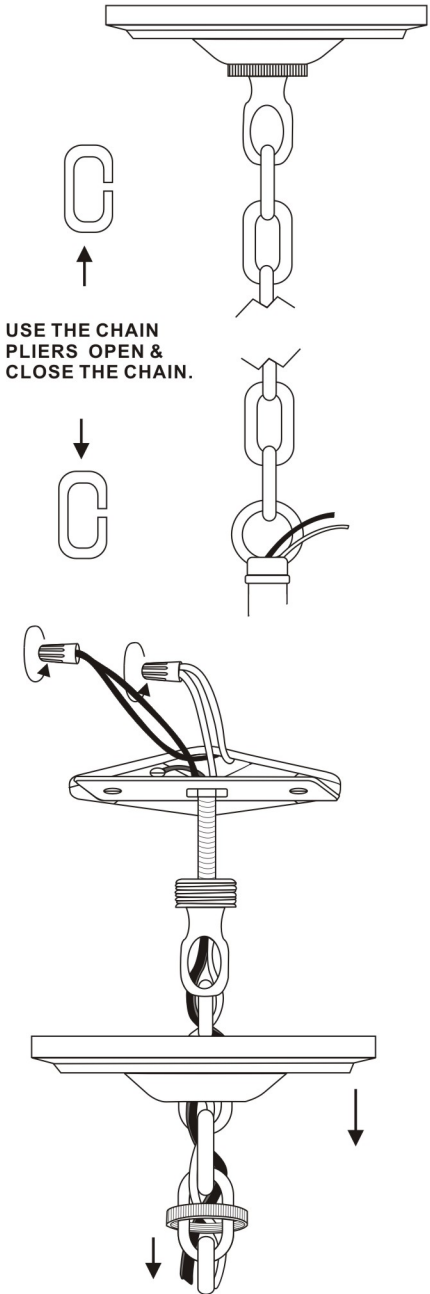
Instructions for Canopy kits

WARNING:



Electrical Danger Turn Power Off

All electrical components must be installed by a licensed electrician in accordance with the National Electric Code and the appropriate local electrical codes.



You will need 12 - Med. Bulb
40 Watts Recommended
60 Watts Max
Bulb not included.

ITEM NUMBER:# 32325 INSTRUCTIONS



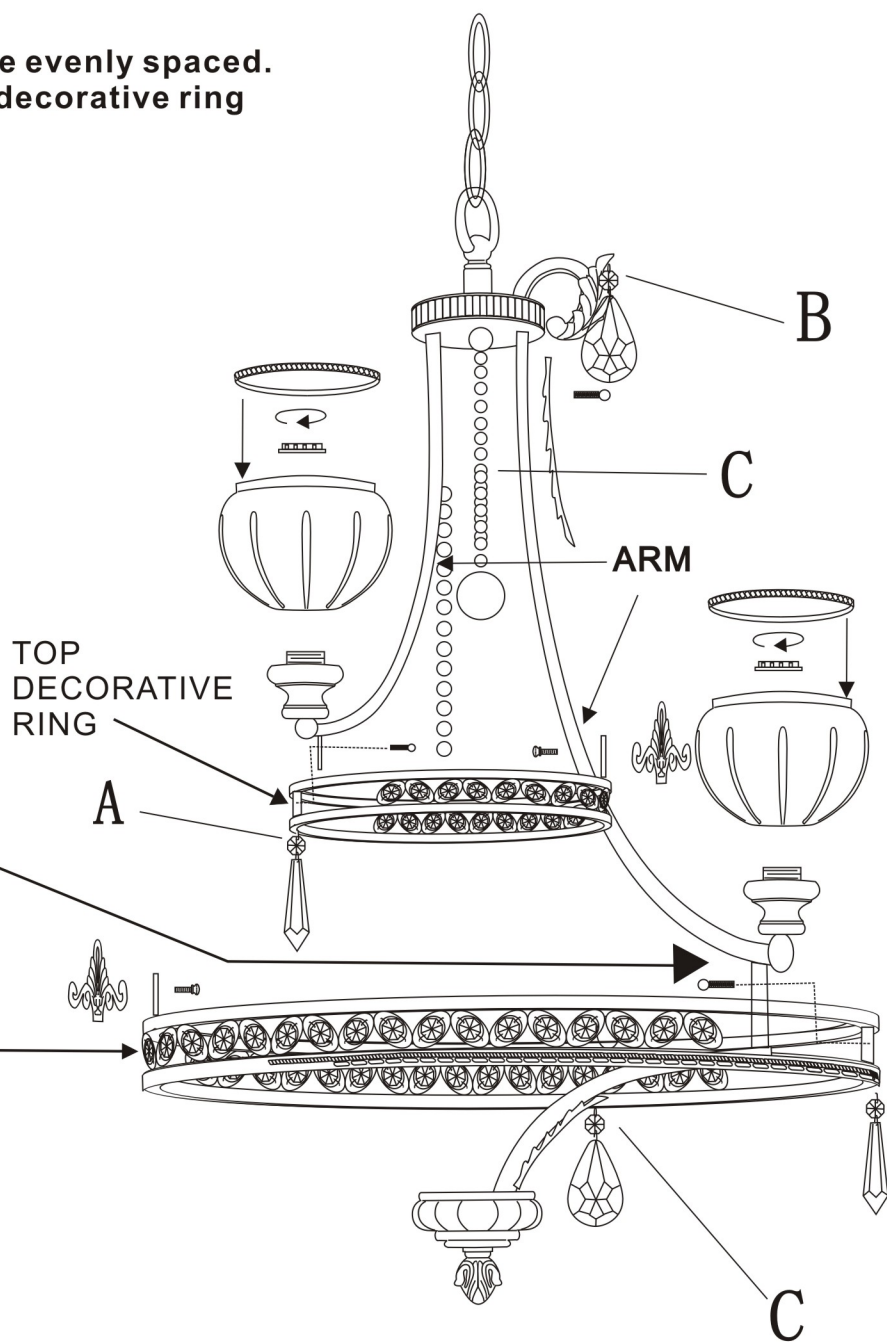
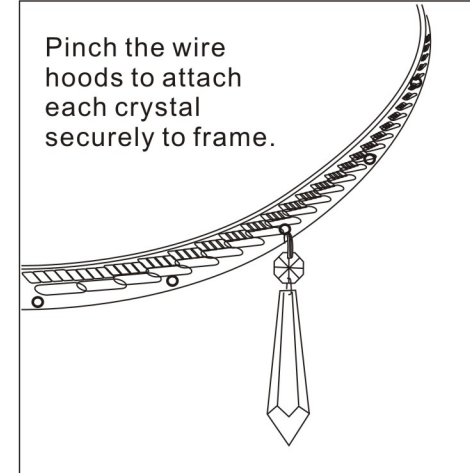
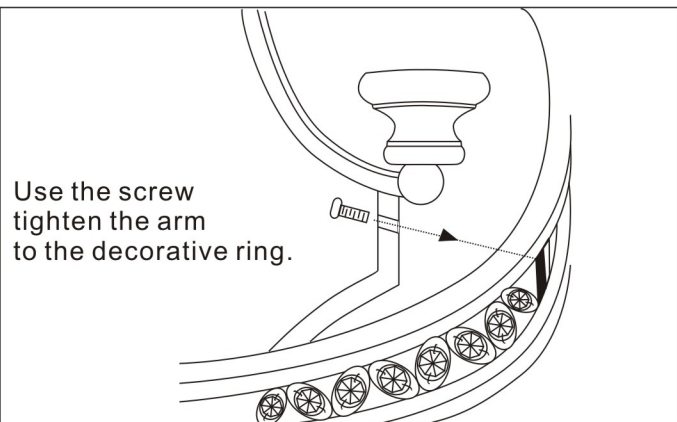
MODEL#:32325 ASSEMBLY AND DRESSING INSTRUCTIONS


Step 1 (Assembly for your fixture)

- A] Carefully unpack your new fixture.
- B] Simply unfold the arms so that all arms are evenly spaced.
- C] Attach each arm to the TOP and BOTTOM decorative ring using the screws supplied.


Step 2

Hanging the crystal trim to the fixture.



A  (14mm+80mm)*136sets

B  (14mm+100mm)*16sets

C  (10mm*27+50mm)*1pc