


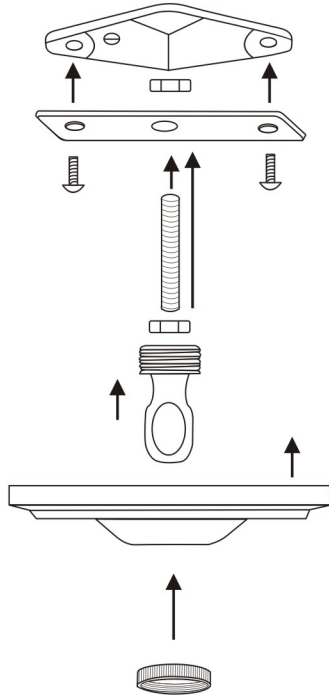
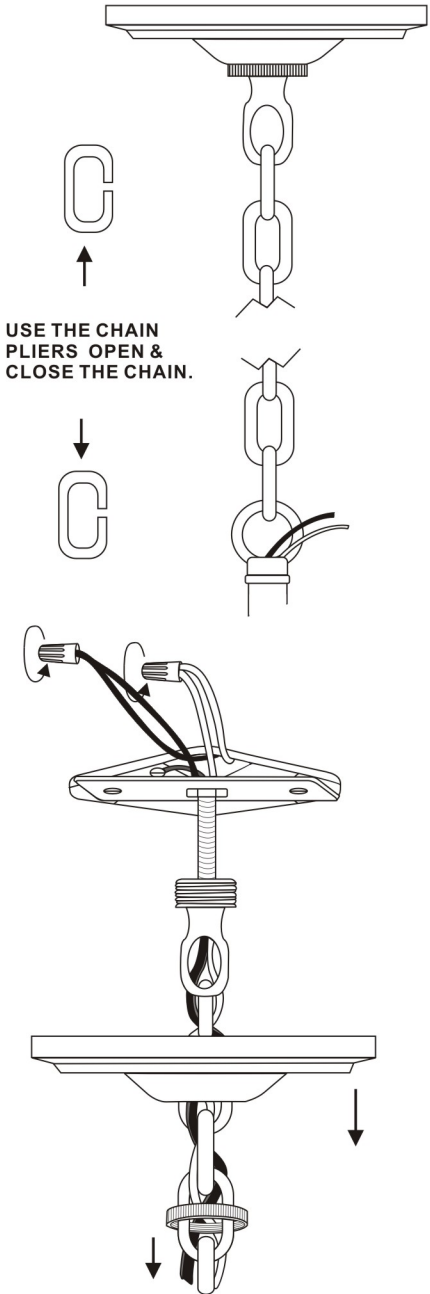
# Instructions for Canopy kits

**WARNING:**



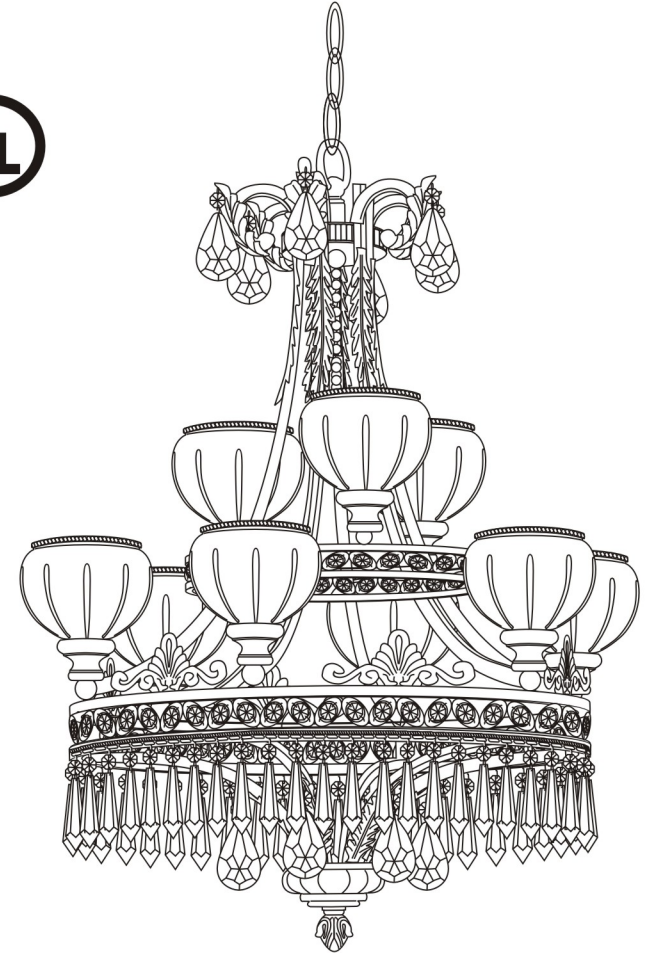
Electrical Danger    Turn Power Off

All electrical components must be installed by a licensed electrician in accordance with the National Electric Code and the appropriate local electrical codes.



You will need 9 - Med. Bulb  
60 Watts Recommended  
100 Watts Max  
Bulb not included.

# ITEM NUMBER:# 32324 INSTRUCTIONS



# MODEL#:32324 ASSEMBLY AND DRESSING INSTRUCTIONS

## Step 1 (Assembly for your fixture)

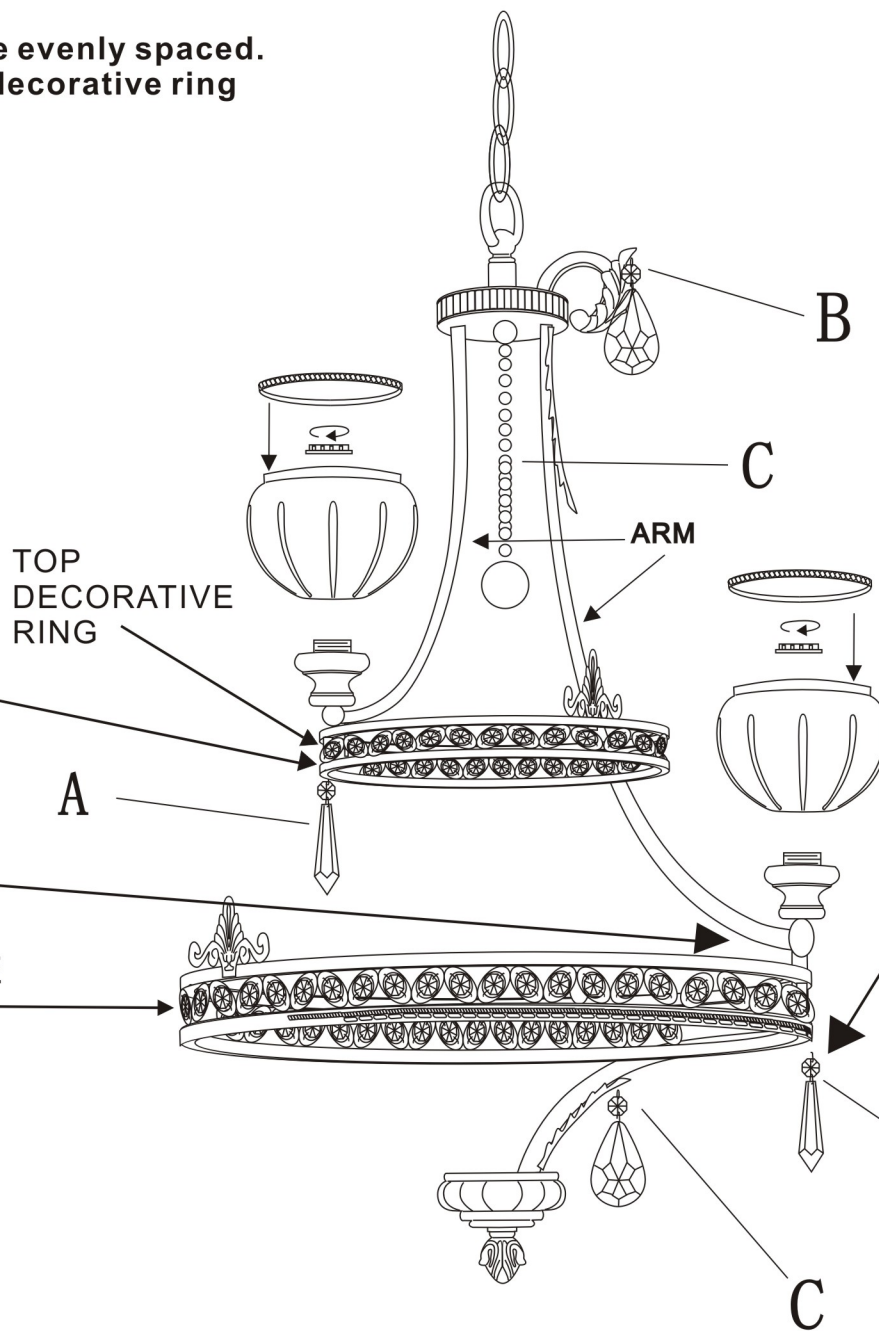
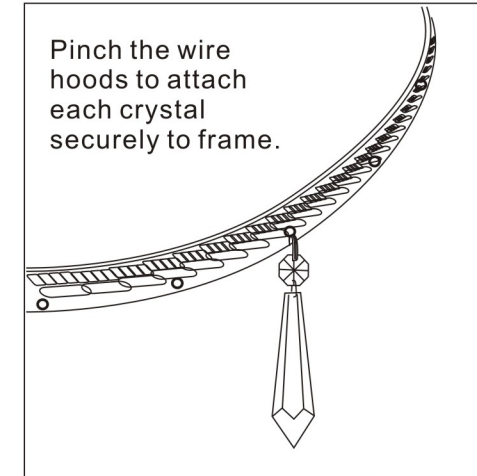
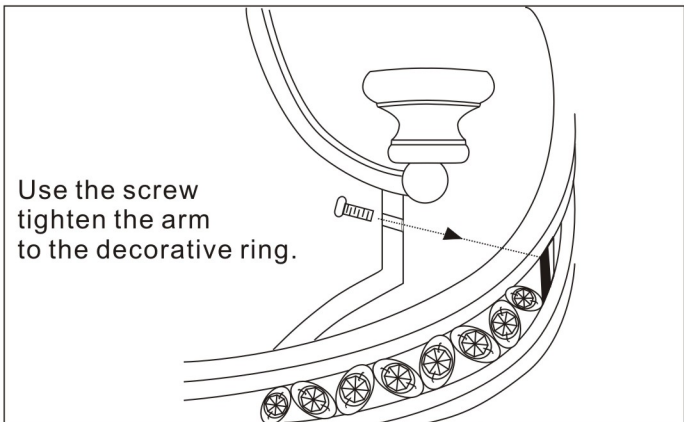
A ] Carefully unpack your new fixture.


B ] Simply unfold the arms so that all arms are evenly spaced.

C ] Attach each arm to the TOP and BOTTOM decorative ring using the screws supplied.


## Step 2

Hanging the crystal trim to the fixture.



A  (14mm+80mm)\*78sets

B  (14mm+76mm)\*12sets

C  (10mm\*14+50mm)\*1pc