

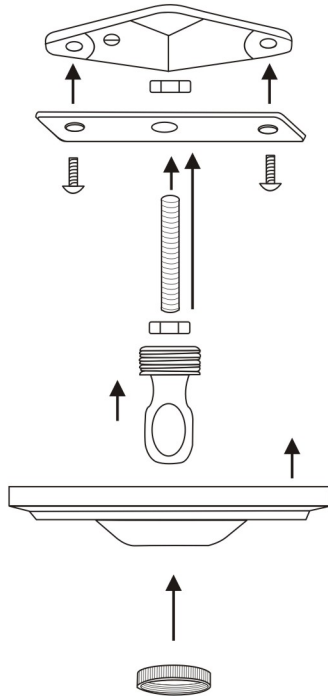
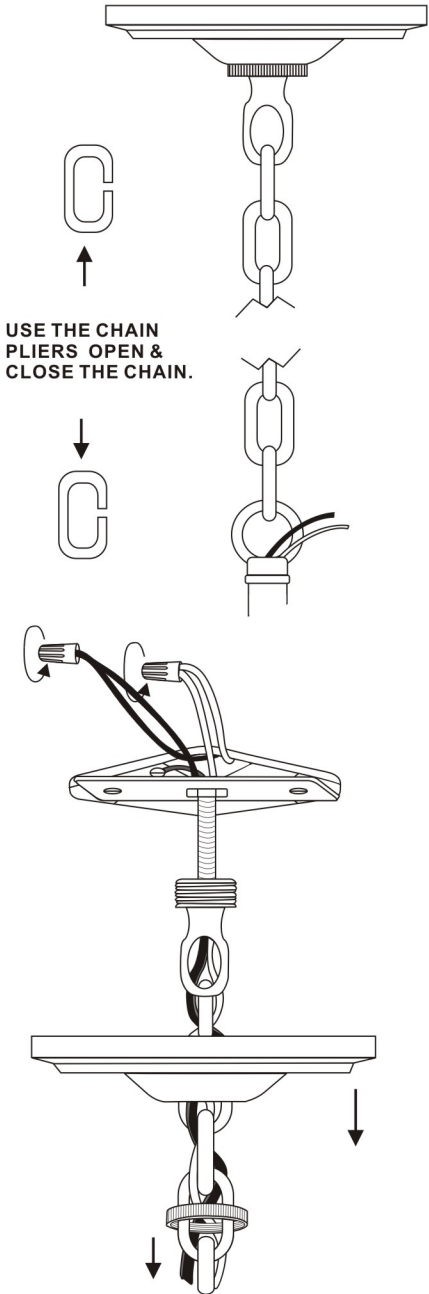

# Instructions for Canopy kits

**WARNING:**



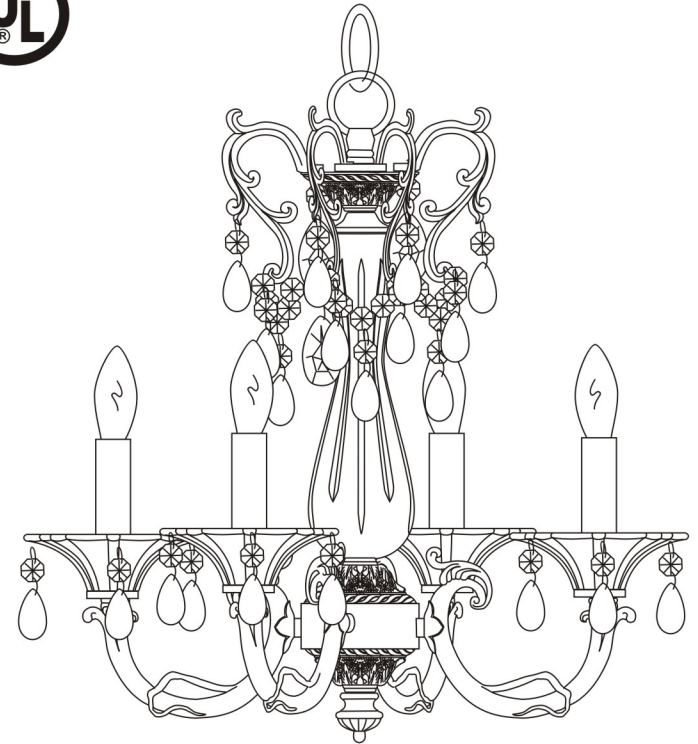
**Electrical Danger Turn Power Off**

All electrical components must be installed by a licensed electrician in accordance with the National Electric Code and the appropriate local electrical codes.

You will need 4 - Can. Bulb  
40 Watts Recommended  
60 Watts Max  
Bulb not included.

# ITEM NUMBER:# 32318 INSTRUCTIONS



# MODEL#:32318 ASSEMBLY AND DRESSING INSTRUCTIONS


## Step 1 (Assembly for your fixture)


A ] Carefully unpack your new fixture.

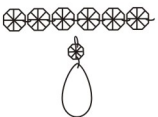
B ] Simply turn on the column to attach the fixture body.

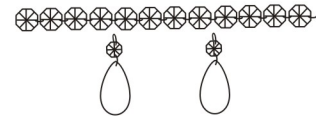
## Step 2

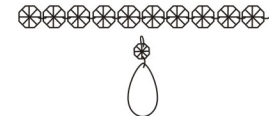
Hanging the crystal trim to the fixture.


A  (14mm+63mm)\*24sets

B  (14mm+48mm)\*20sets

C  (14mm\*6+A)\*8sets

D  (14mm\*12+A\*2)\*4sets

E  (14mm\*8+F) 4sets

F  (14mm\*2+63mm)\*8sets

G  (14mm\*7+40mm)\*1set

