

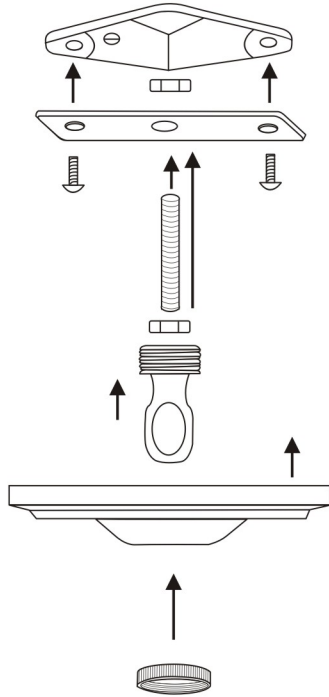
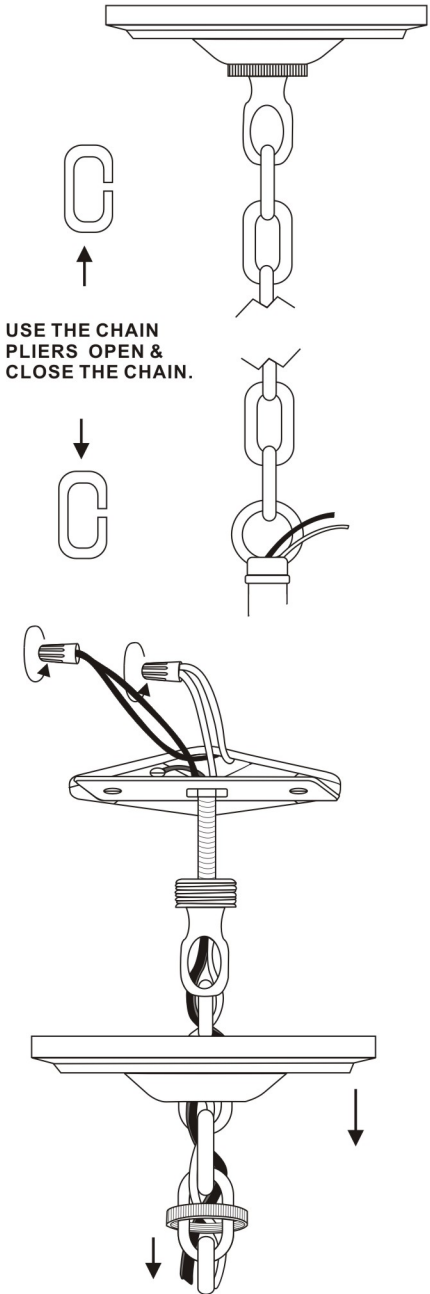

Instructions for Canopy kits

WARNING:



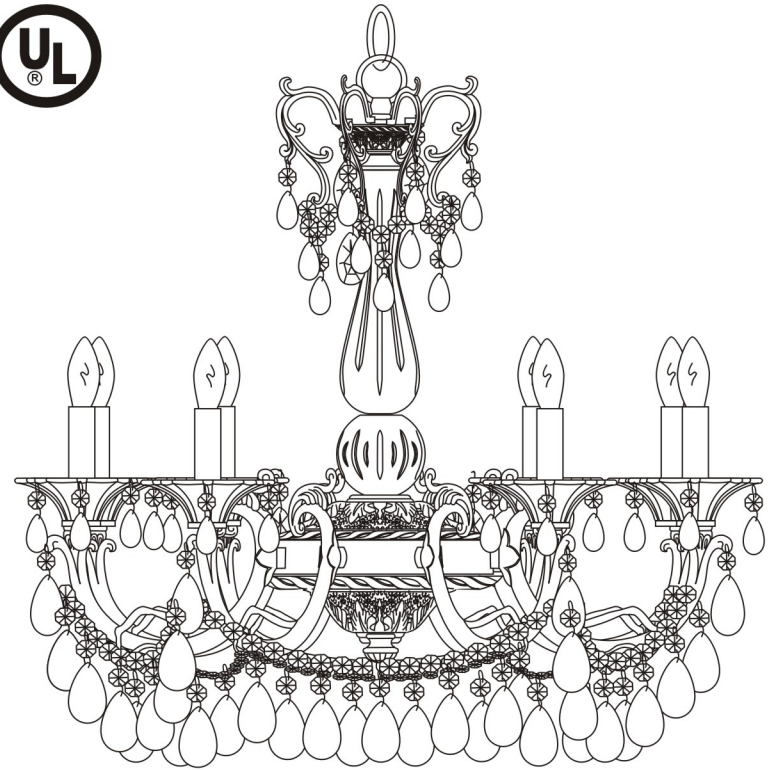
Electrical Danger Turn Power Off

All electrical components must be installed by a licensed electrician in accordance with the National Electric Code and the appropriate local electrical codes.

You will need 8 - Can. Bulb
40 Watts Recommended
60 Watts Max
Bulb not included.

ITEM NUMBER:# 32317 INSTRUCTIONS



MODEL#:32317 ASSEMBLY AND DRESSING INSTRUCTIONS

Step 1 (Assembly for your fixture)

A] Carefully unpack your new fixture.

B] Simply turn on the column to attach the fixture body.

Step 2

Hanging the crystal trim to the fixture.

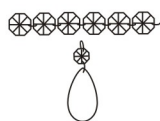
A (14mm+63mm)*56sets



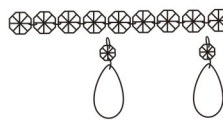
B (14mm+48mm)*40sets



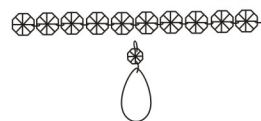
C (14mm*6+A)*16sets



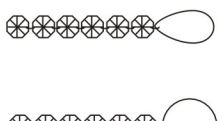
D (14mm*12+A*2)*8sets



E (14mm*8+H) 8sets



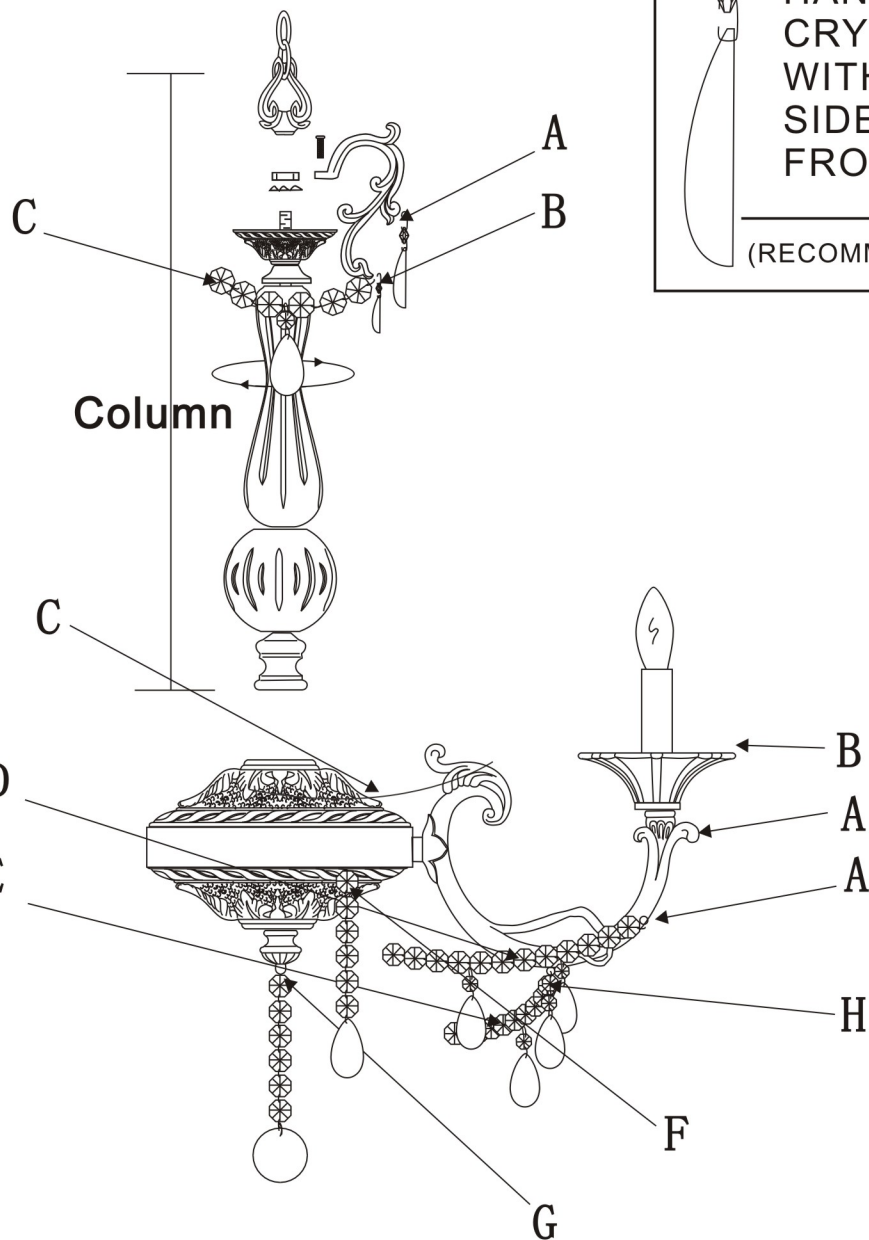
F (14mm*10+63mm)*8sets



G (14mm*9+50mm)*1set



H (14mm*2+63mm)*16sets



HANG
CRYSTAL
WITH FLAT
SIDE FACING
FRONT

(RECOMMENDED)