

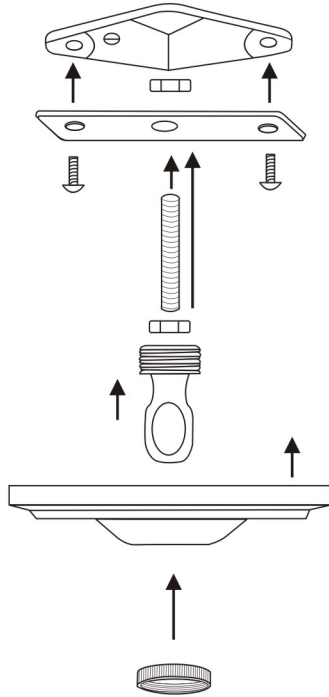
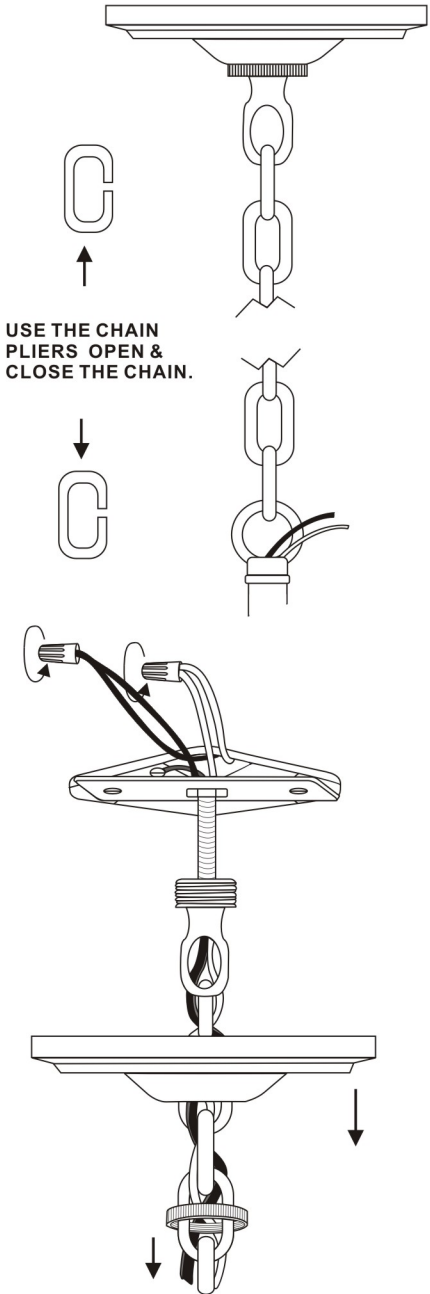

# Instructions for Canopy kits

**WARNING:**



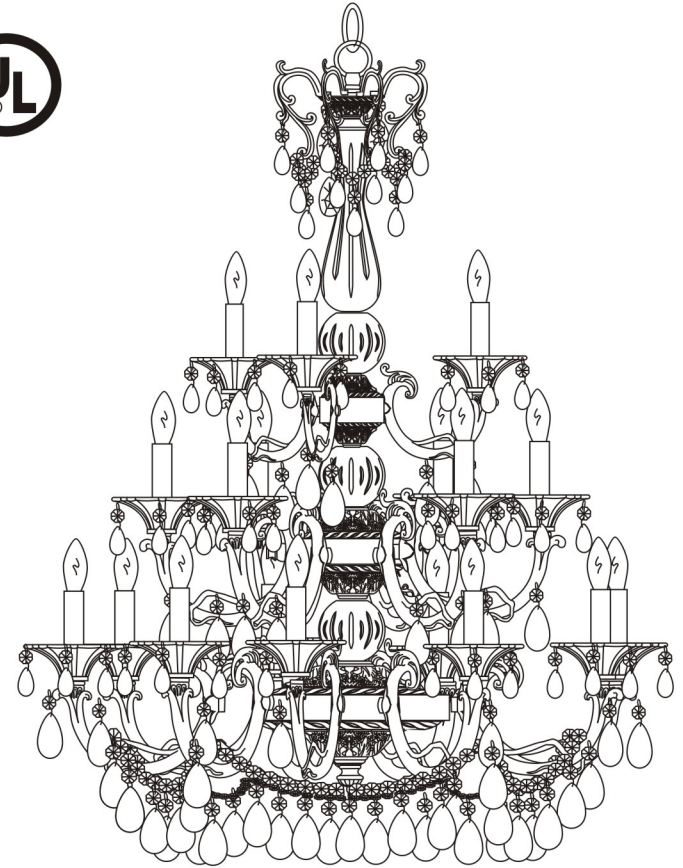
Electrical Danger    Turn Power Off

All electrical components must be installed by a licensed electrician in accordance with the National Electric Code and the appropriate local electrical codes.

You will need 18 - Can. Bulb  
40 Watts Recommended  
60 Watts Max  
Bulb not included.

# ITEM NUMBER:# 32315 INSTRUCTIONS



# MODEL#:32315 ASSEMBLY AND DRESSING INSTRUCTIONS


## Step 1 (Assembly for your fixture)


A ] Carefully unpack your new fixture.

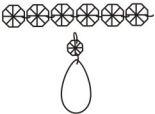
B ] Simply turn on the column to attach the fixture body.

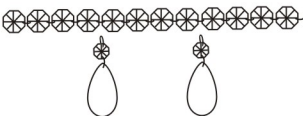
## Step 2

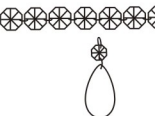
Hanging the crystal trim to the fixture.

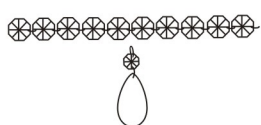
A  (14mm+63mm)\*102sets

B  (14mm+48mm)\*81sets

C  (14mm\*6+A)\*12sets


D  (14mm\*12+A\*2)\*15sets

E  (14mm\*8+A)\*15sets

F  (14mm\*8+i)\*9sets

G  (14mm\*10+63mm)\*9sets

H  (14mm\*9+50mm)\*1set

I  (14mm\*2+63mm)\*18sets

