

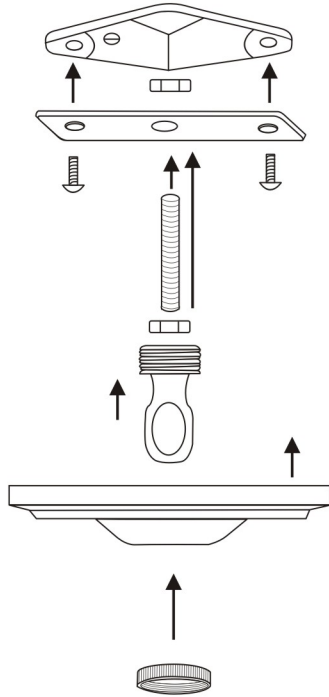
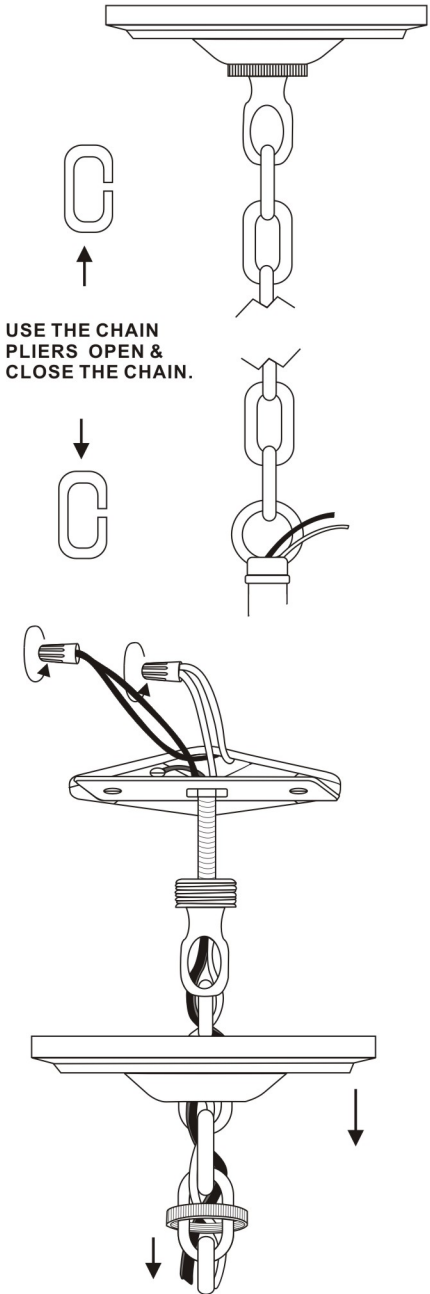

Instructions for Canopy kits

WARNING:



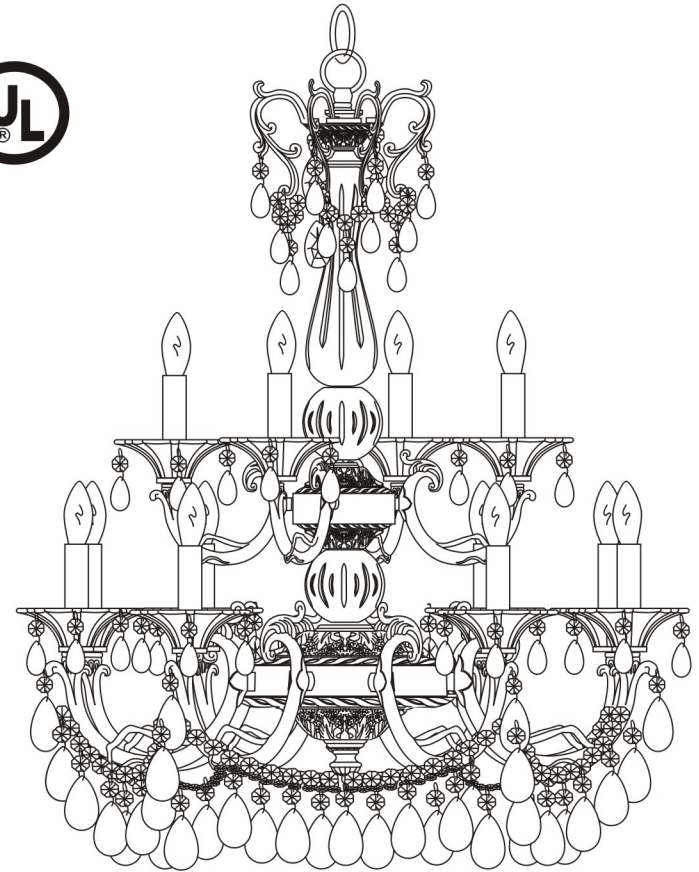
Electrical Danger Turn Power Off

All electrical components must be installed by a licensed electrician in accordance with the National Electric Code and the appropriate local electrical codes.

You will need 12 - Can. Bulb
40 Watts Recommended
60 Watts Max
Bulb not included.

ITEM NUMBER:# 32314 INSTRUCTIONS



MODEL#:32314 ASSEMBLY AND DRESSING INSTRUCTIONS


Step 1 (Assembly for your fixture)


A] Carefully unpack your new fixture.

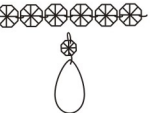
B] Simply turn on the column to attach the fixture body.

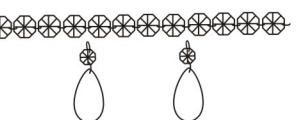
Step 2


Hanging the crystal trim to the fixture.


A  (14mm+63mm)*68sets

B  (14mm+48mm)*56sets


C  (14mm*6+A)*20sets


D  (14mm*12+A*2)*8sets

E  (14mm*8)*4sets

F  (14mm*8+I)*8sets

G  (14mm*10+63mm)*8sets

H  (14mm*9+50mm)*1set

I  (14mm*2+63mm)*16sets

