



ASSEMBLY AND MOUNTING INSTRUCTION

For31901

Please read the Assembly Instruction sheet carefully before proceeding. Carefully unpack and identify all parts prior to building the unit. Each part is identified on the drawing for reference.

DO NOT DISCARD THE ORIGINAL PACKAGING. If after careful inspection and you must return the item for any reason. Please repack the unit using the original carton and inserts.

STEP 1:Unpack all the parts and Classify them according to the illustration shown at the side.Place the parts on a scratchfree surface;

STEP 2:install center rod,washer to the Fixture

STEP 3: Install correct bulbs(not provided);

STEP 4: Install the Glass shade and fix it with the Glass washer,and the nus;

STEP 5: Secure with bottom cap and the finial;

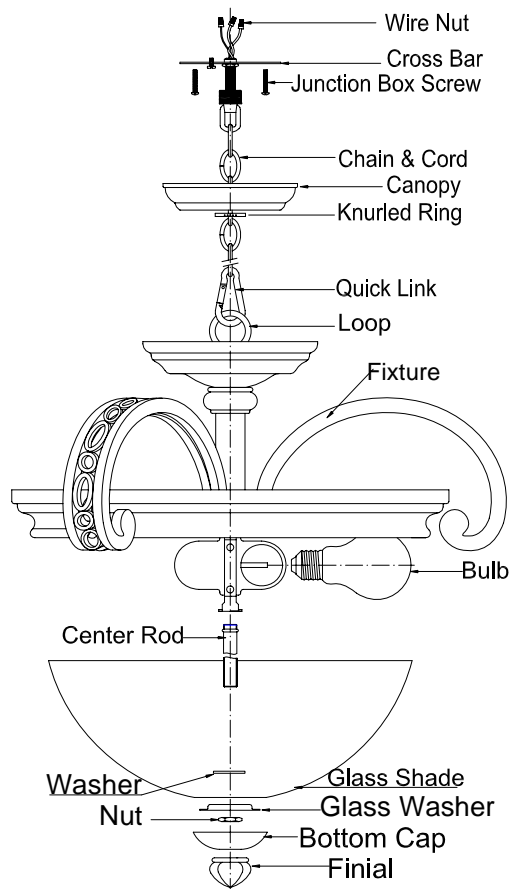
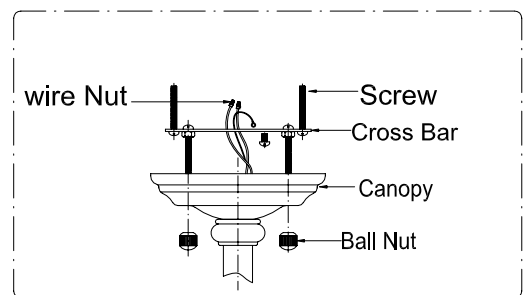
STEP 6: Make sure the power is turned off at the junction box where the fixture is to be installed.Secure the cross bar to the ceiling juncton box using junction box screws;

STEP 7: Use the wire nuts to connect the positive and negative wires.connect the ground wire to the junction box ground port;

STEP 8: Secure the fixture to the ceiling with the ball nuts.(FOR FLUSH ONLY)

STEP 9: Secure the canopy to the ceiling with the Knurled Ring(FOR PENDANT ONLY);

STEP10: Install the Loop to the Fixture;Buckle The Quick Links to the Loops;(FOR PENDANT ONLY)



CAUTION:
To reduce the risk of fire, use the specified lamp wattage (or smaller) and bulb type identified on the product.

CLEANING INSTRUCTIONS:
Do not use polish or cleaners on your product. Just wipe clean with a soft cloth.

CAUTION----RISK OF FIRE
This product requires installation by a qualified electrician. Before installing be sure to read all instructions and **TURN THE POWER TO THE ELECTRICAL JUNCTION BOX OFF.**