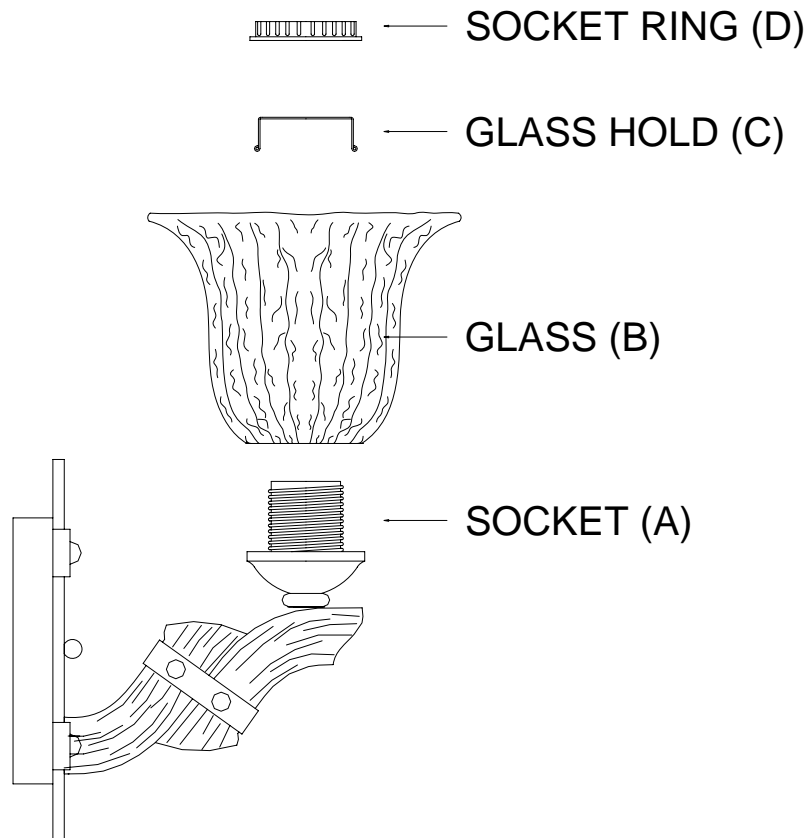




Assembly Instructions

ITEM NO.: 31620/1



1. Place the GLASS (B) onto SOCKET (A). Then secured by the GLASS HOLD (C) & SOCKET RING (D).
2. Follow the wattage label on the glass hold and install correct wattage and type bulb (no provide) onto the socket.
3. For mounting and wiring step please follow the mounting instruction sheet enclosed.