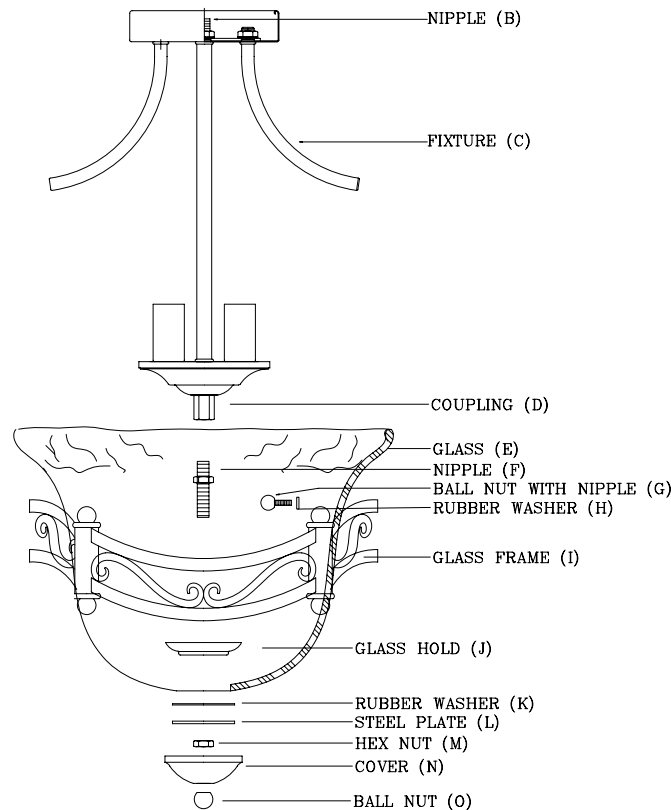




Assembly Instructions

ITEM NO.: 31631 FOR SEMI-FLUSH



1. Unfold the arms to the correct place!
2. Place the GLASS FRAME (I) onto the GLASS (E). Attach the nipple hole on the glass frame to the holes on the glass!
3. Thread the BALL NUT WITH NIPPLE (G) onto the GLASS FRAME (I) through the RUBBER WASHER (H) & hole on the glass. Until tighten!
4. Thread the NIPPLE (F) onto the COUPLING (D). Secured by the hex nut!
5. Place GLASS HOLD (J) GLASS (E) RUBBER WASHER (K) & STEEL PLATE (L) onto the NIPPLE (F). Secured by the HEX NUT (M).
6. Place the COVER (N) onto GLASS (E). Secured by the BALL NUT (O)
7. Follow the wattage label on the socket cover and install correct wattage and type bulb (no provide) onto the socket.
8. For mounting and wiring step please follow the mounting instruction sheet enclosed.