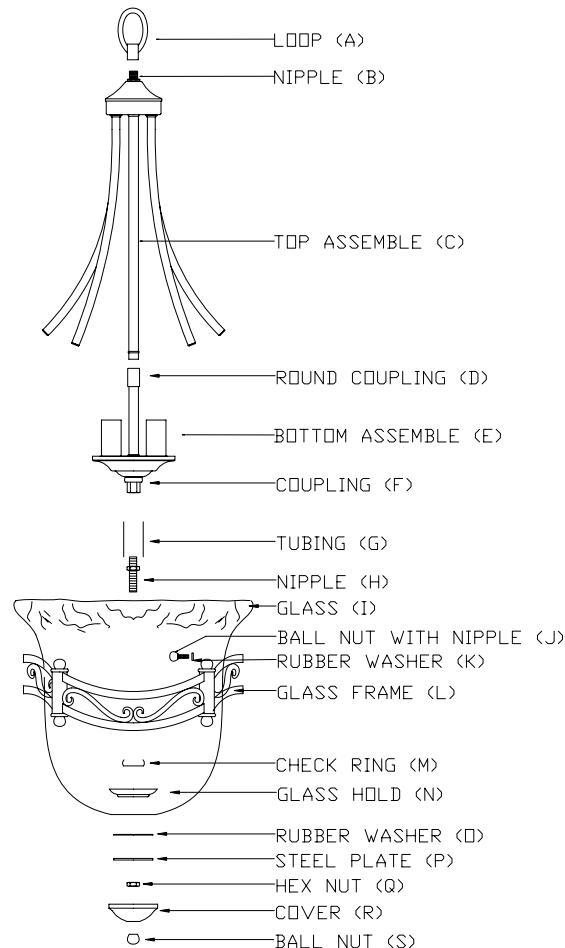




Assembly Instructions

ITEM NO.: 31632



1. Thread the LOOP (A) onto the NIPPLE (B). Until tighten!
2. Thread the BOTTOM ASSEMBLY (E) onto TOP ASSEMBLY (C). Until tighten!
3. Place the GLASS FRAME (L) onto the GLASS (I). Attach the nipple hole on the glass frame to the holes on the glass!
4. Thread the BALL NUT WITH NIPPLE (J) onto the GLASS FRAME (L) through the RUBBER WASHER (K) & hole on the glass. Until tighten!
5. Thread the NIPPLE (H) onto the COUPLING (F). Secured by the hex nut!
6. Place TUBING (G) CHECK RING (M) GLASS HOLD (N) GLASS (I) RUBBER WASHER (O) & STEEL PLATE (P) onto the NIPPLE (H). Secured by the HEX NUT (Q).
7. Place the COVER (R) onto GLASS (I). Secured by the BALL NUT (S)
8. Measure the height from hanging fixture to your ceiling. Cut the excess chain and wire to fit the height.
9. Follow the wattage label on the socket cover and install correct wattage and type bulb (no provide) onto the socket.
10. For mounting and wiring step please follow the mounting instruction sheet enclosed.