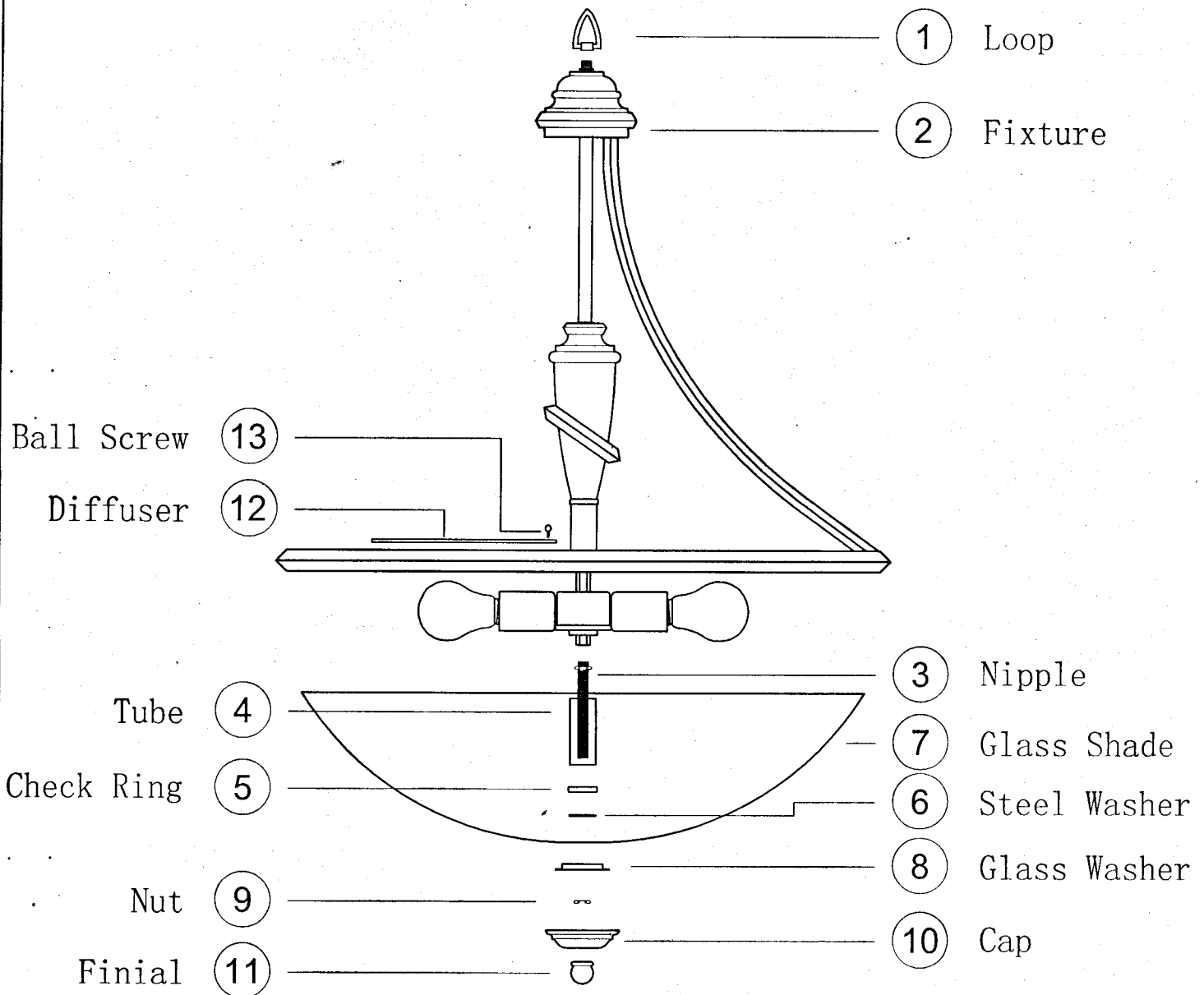




31482-24



Assembly Instruction For 31482-24:

1. Install the Loop(1) to the Fixture(2).
2. Install the Nipple(3) to the center nut of the Fixture(2).
3. Install the correct bulbs(not provided).
4. Secure the Tube(4) and the Check Ring(5) with the Steel Washer(6).
5. Secure the Glass Shade(7) to the Fixture(2) with the Glass Washer(8) and the Nut(9).
6. Secure the Cap(10) to the Glass Shade(7) with the Finial(11).
7. Secure the Diffusers(12) to the Fixture(2) with four Ball Screws(13).