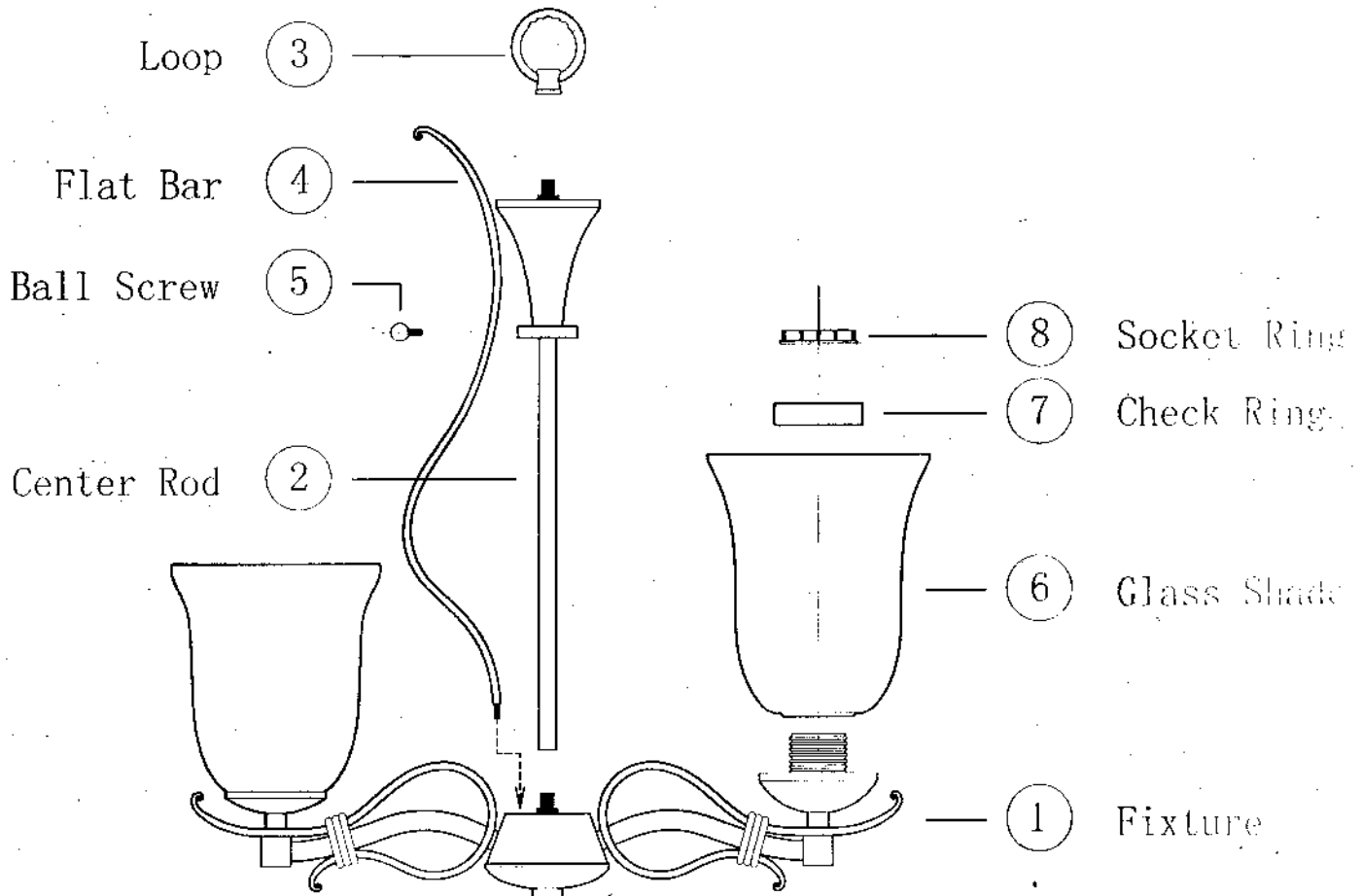




31458



Assembly Instruction For 31458:

1. Install the Center Rod(2) to the Fixture(1).
2. Install the Loop(3) to the Center Rod(2).
3. Secure the Flat Bar(4) to the Fixture(1) and the Center Rod(2) with the Ball Screws(5).
4. Attach the Glass Shades(6) to the Fixture(1) and fix them with the Check Rings(7) and the Socket Rings(8).
5. Install the correct bulbs(not provided).