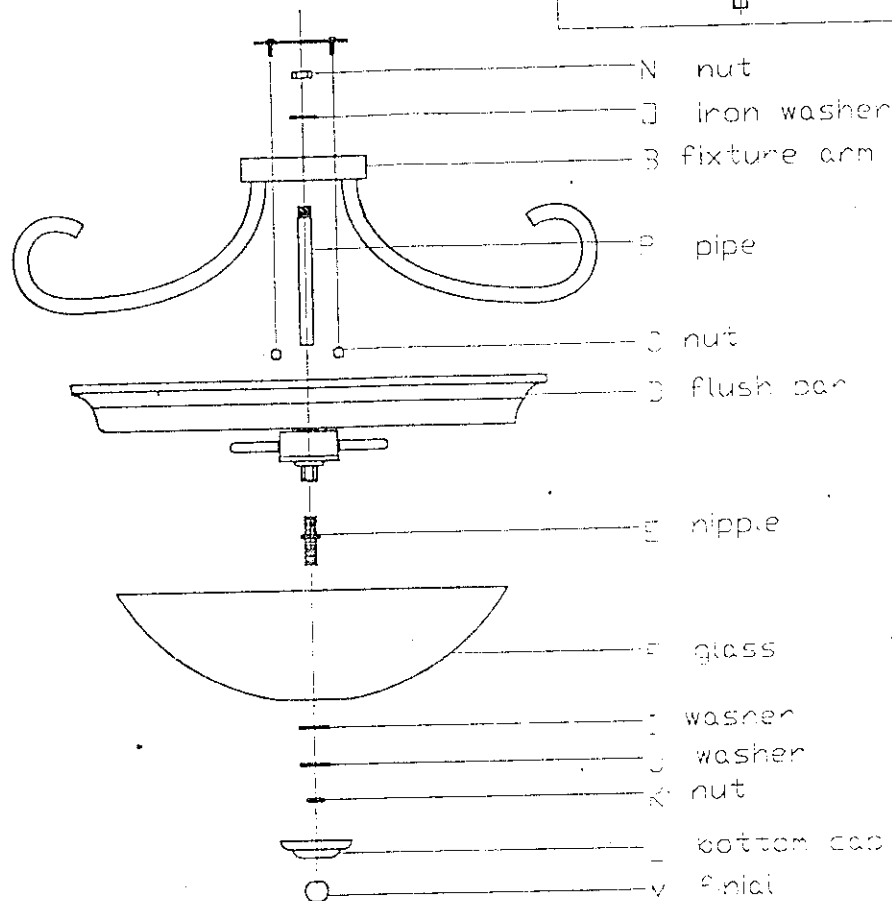
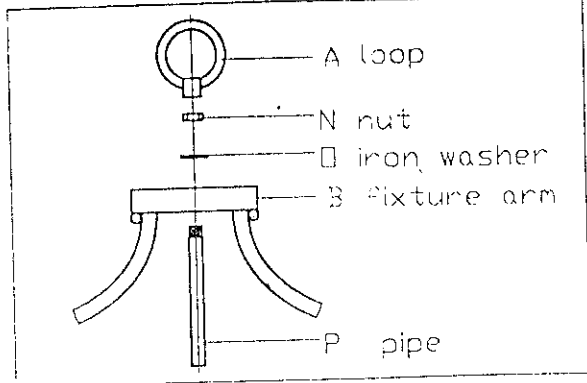




31401-27



Assembly instruction for 31401-27

- 1 connect fixture arm (B) with flush pan (D).
- 2 Install fixture loop (A) to fixture (B) for pendant only.
- 3 Use the lock up nut (C) to connect with fixture (B) and loop(A)
- 4 Adjust arms to space evenly .
- 5 Install light bulbs not provided.
- 6 Secure glass (I) with center pipe(E),nipple(F),check ring(G),glass washer(H),glass washer(J) iron washer(K),nut(L) ,bottom cap(M) and finial (N)
- 7 Connect electrical wires at junction box and secure crossbar, nipple and canopy loop.



MOUNTING AND WIRING INSTRUCTIONS

1. Turn machine screws (provided) into mounting strap using the threaded holes in the mounting strap that align with the holes in the canopy.

2. Fasten mounting strap to junction box with machine screws found in junction box. The mounting strap must be used to provide proper grounding of fixture.

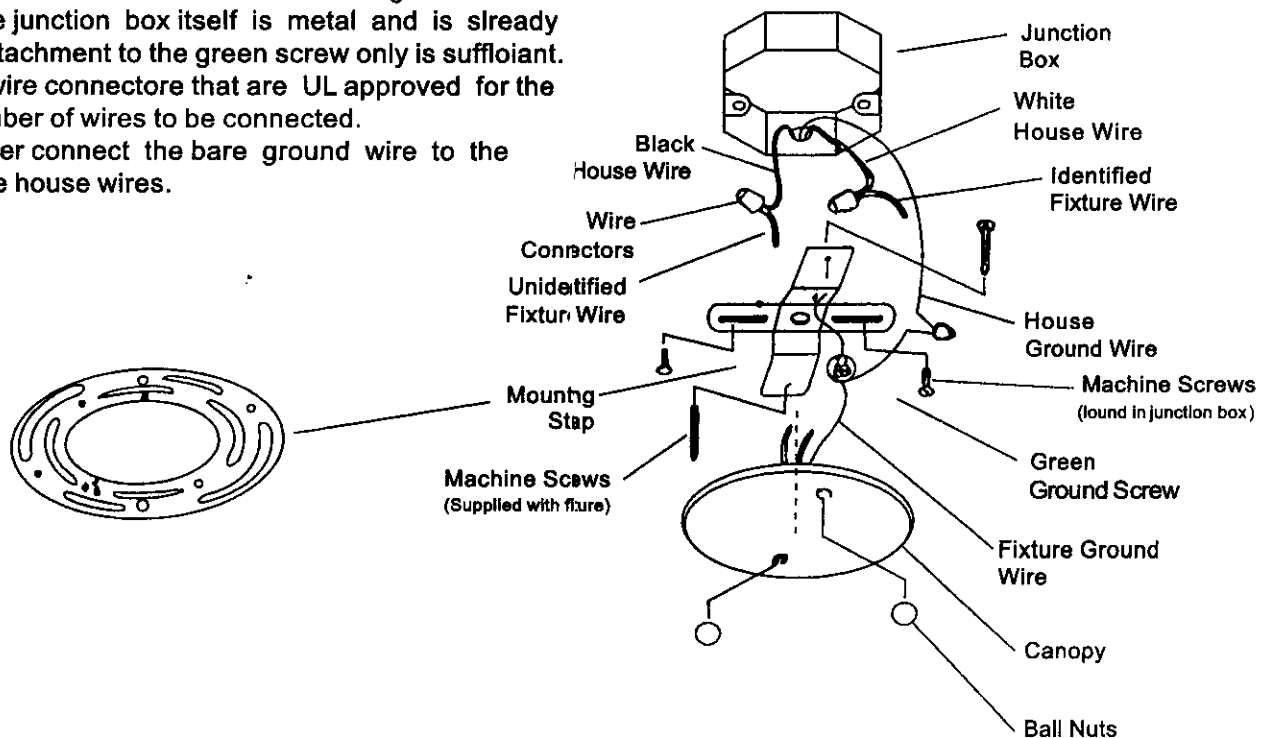
3. Pull leads down out of junction box for easier wiring. Connect the IDENTIFIED lead (white, tinned or ribbed - if both conductors are the same color, feel for the ribbed edge that runs the entire length of one side) to the WHITE house wire. Connect the UNIDENTIFIED lead to the BLACK house wire. Turn the green ground screw into the hole in the mounting strap and wrap the bare ground wire around screw one full turn and tighten screw. Connect remaining end of bare wire to the house ground wire (bare). If the junction box itself is metal and is already grounded, attachment to the green screw only is sufficient. Always use wire connectors that are UL approved for the size and number of wires to be connected.

Caution: Never connect the bare ground wire to the black or white house wires.

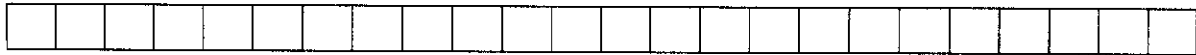
4. Place all wires and connectors back into junction box making sure there are no loose wire nuts or bare leads. Place canopy up against ceiling allowing the machine screws to protrude through the two canopy holes. Be careful not to pinch any wires between the canopy and the ceiling.

5. Turn ballnuts onto machine screws until canopy is firmly against ceiling.

6. Lamp fixture with proper size bulbs in accordance with the wattage label found on the fixture.



READ & SAVE THESE INSTRUCTIONS



NOTE: Fixtures weighing over 25 lbs must be supported independently of the outlet box.

- 1) Rotate arms until in line with center of fixture body. Arms should tighten as they are turned if they do not tighten hex nut at top and bottom of arms
- 2) Screw hex nut on to threaded pipe and screw-threaded pipe into coupling on top of fixture body. Secure threaded pipe in place by tightening hex nut against coupling.
- 3) Slip top trim over threaded pipes and screw on loop.
- 4) Turn off power.
- 5) Supply wires shall enter the outlet box through any knockout except the top center knockout.
- 6) Fixture is to be mounted by a steel pipe with 3/4" of 3/8-18 NPSN thread at bottom (not supplied) Position pipe so that approximately 1/2" of thread protrudes into outlet box, Attach pipe to a structural or birding member of sufficient strength to support at least 4 times the fixture weight
- 7) Thread pipe coupling onto protruding pipe inside outlet box. Secure in place by tightening allen head screw.
- 8) Thread hex nut onto threaded pipe. Screw threaded pipe into pipe coupling. Secure in place by tightening hex nut against pipe coupling and tightening allen head screw.
- 9) Thread hex nut. Slip on ground wire and thread a second hex nut onto threaded pipe.
- 10) Connect screw collar loop (without threaded ring) to threaded pipe.
- 11) Pass canopy over screw collar loop. Approximately one-half of the screw collar loop extensor thread should be exposed, Adjust loop as required, Remove canopy and tighten hex nut against screw collar loop. Tighten second hex nut against first to hold ground wire in place.
- 12) Attach chain to fixture (not shown)
- 13) Slip threaded ring then canopy onto chain
- 14) Attach chain (With fixture connected) to bottom of screw collar loop
- 15) Weave siscritical wire and ground wire up chain through screw collar loop.
- 16) Connect fixture ground wire and ground wire

attach to threaded pipe to outlet box ground wire with wire connector (not provided). Never connect ground wire to black or white power supply wires.

- 17) Make wire connections (connectors not provide). Reference chart below for correct connections and wire accordingly.
- 18) Raise canopy to ceiling
- 19) Secure canopy in place by screwing threaded ring onto screw collar loop
- 20) Carefully slip glass half plate inside arms and seat on top of fixture plate allowing studs to pass through holes glass. Secure in place with nylon washer and ball knob (DO NOT over tighten), Repeat for remaining glass half plate
- 21) Lift ring up to fixture allowing threaded pipe and screw-threaded pipe into coupling on bottom of fixture body, Secure threaded pipe in place by tightening hex nut against coupling.
- 22) Screw hex nut on to threaded pipe and screw threaded pipe into coupling on bottom of fixture body. Secure threaded pipe in place by tightening hex nut against coupling.
- 23) Carefully lift glass up to ring and over threaded pipe into coupling on bottom of fixture body. Secure threaded pipe in place by tightening hex nut against coupling.
- 24) Slip trim over threaded pipe and screw on finial.

Connect Black or Red Supply Wire to:	Connect White Supply Wire to:
Black	White
Parallel cord (round & smooth)	Parallel cord (square & ridged)
Clear, Brown, Gold or Black without tracer	Clear, Brown, Gold or Black with tracer
Insulated wire (other than green) with copper conductor	Insulated wire (other than green) with silver conductor

Notes: When parallel wires (SPTI & SPTIII) are used, The Neutral wire is square shaped or ridged and the other wire will be round in shape or smooth (see us)



Installation Instructions for Hanging System, Ceiling

