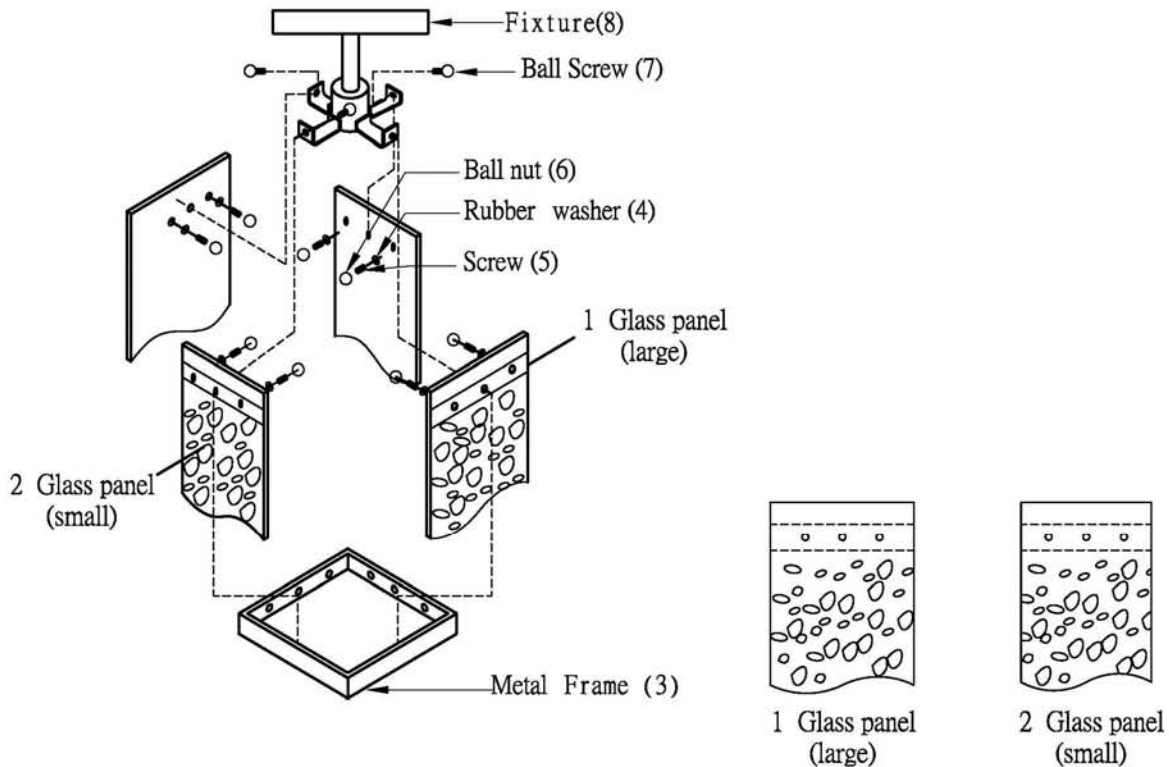


ITEM NO:31371 31372 31376 31379



1. Carefully remove the fixture out of the carton. and check that all parts are included referring to the above illustration. Make sure not to misplace any parts that are needed for the installation.
2. Attached the glass panel (1) first and then glass panel (2) to metal frame(3) accordingly and secured with rubber washer (4), screw (5) and ball nut (6).
3. After step 2 then attach them to fixture (8) and fix them with ball screws (7).