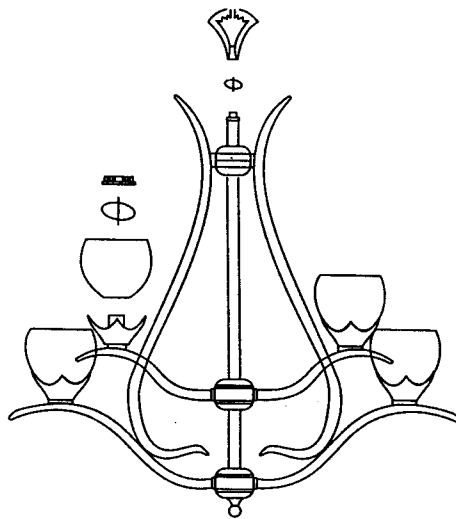


ASSEMBLY INSTRUCTIONS

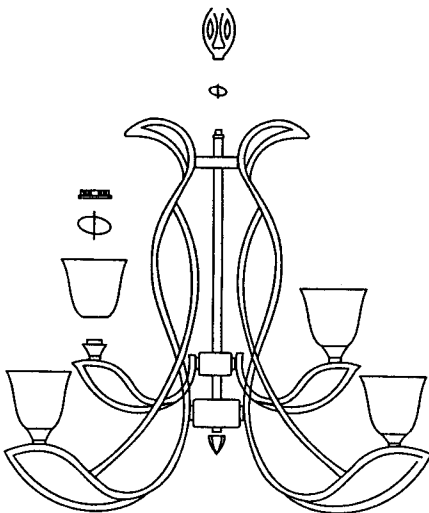
READ AND SAVE THESE INSTRUCTIONS

UNPACK THE FIXTURE

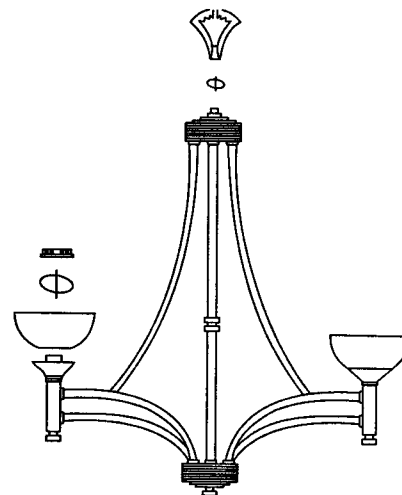
1. TO PROTECT THE FINISH, PLACE ALL PARTS ON A SOFT SURFACE.
2. PUT THE GLASS SHADE ONTO THE SOCKET. SECURE IT BY SOCKET RING.
3. DETERMINE THE LENGTH OF CHAIN REQUIRED TO HANG THE DESIRED HEIGHT, USING PLIERS OPEN END LINK OF CHAIN AND ATTACH TO THE CHAIN LOOP ON TOP OF THE FIXTURE. REMOVE OR ADD CHAIN AS DESIRED AT THIS TIME. LACE FIXTURE WIRE AND GROUND WIRE UP THROUGH EVERY OTHER LINK OF CHAIN.



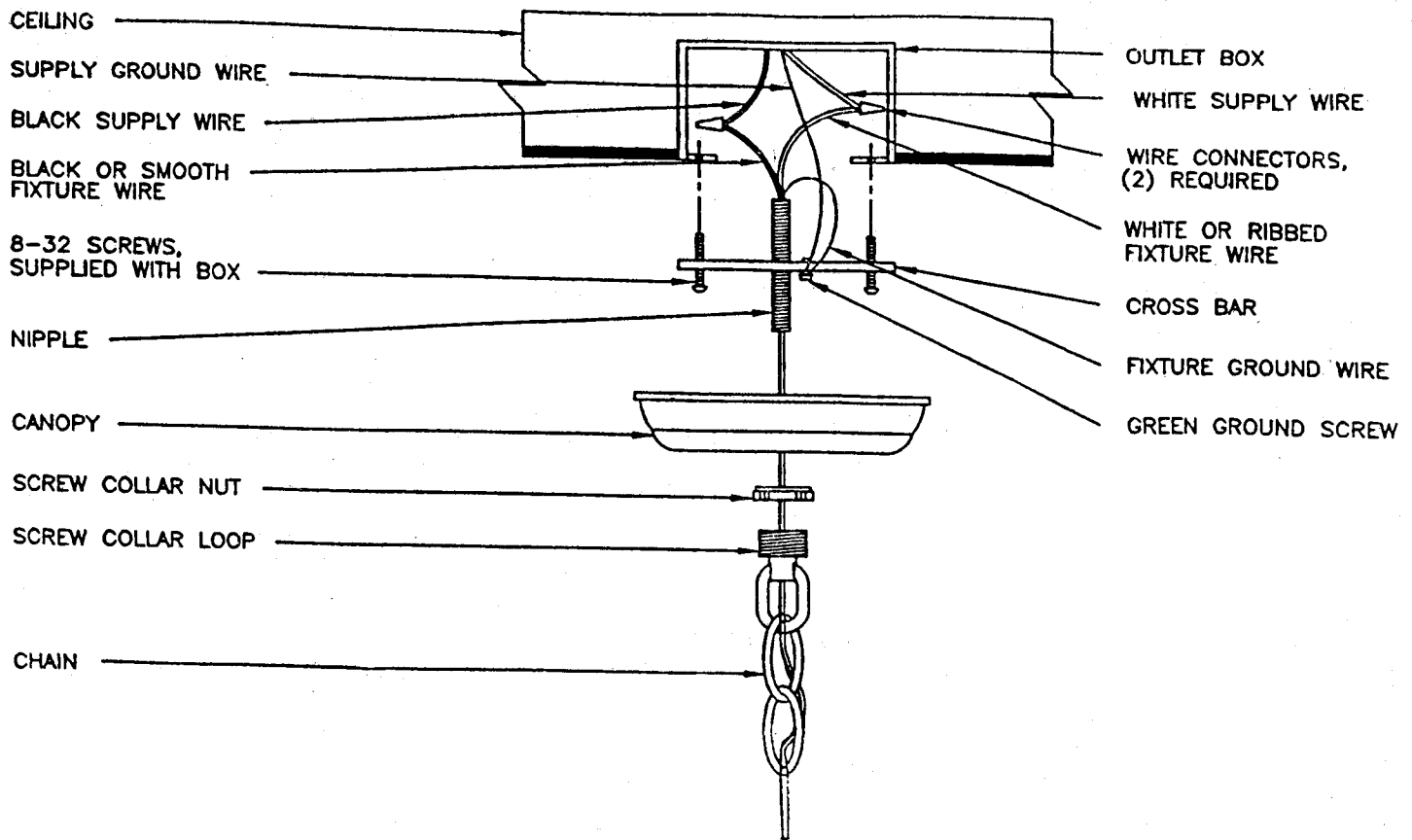
Item No.: 29674 29675



Item No.: 29644 29645



Item No.: 29742 29743



INSTALLATION INSTRUCTIONS

READ AND SAVE THESE INSTRUCTIONS

CAUTION

TO AVOID POSSIBLE ELECTRIC SHOCK, MAKE SURE THE ELECTRICITY IS SHUT OFF AT THE MAIN PANEL.

IF YOU ARE REPLACING AN EXISTING FIXTURE, FIRST TURN THE FIXTURE OFF. NEXT, TURN THE WALL SWITCH OFF. FINALLY, GO TO THE MAIN FUSE OR BREAKER BOX IN YOUR HOME. TURN THE FUSE OR BREAKER TO THE OFF POSITION. SOME TYPES OF FUSES MUST BE UNSCREWED TO SHUT OFF THE POWER.

* ALL WIRING MUST BE DONE IN ACCORDANCE WITH NATIONAL AND LOCAL ELECTRIC CODES. IF YOU ARE NOT FAMILIAR WITH WIRING, YOU SHOULD USE A QUALIFIED ELECTRICIAN.

**THIS FIXTURE IS INTENDED TO BE MOUNTED TO A UL LISTED OUTLET BOX CAPABLE OF SUPPORTING THE FIXTURE.

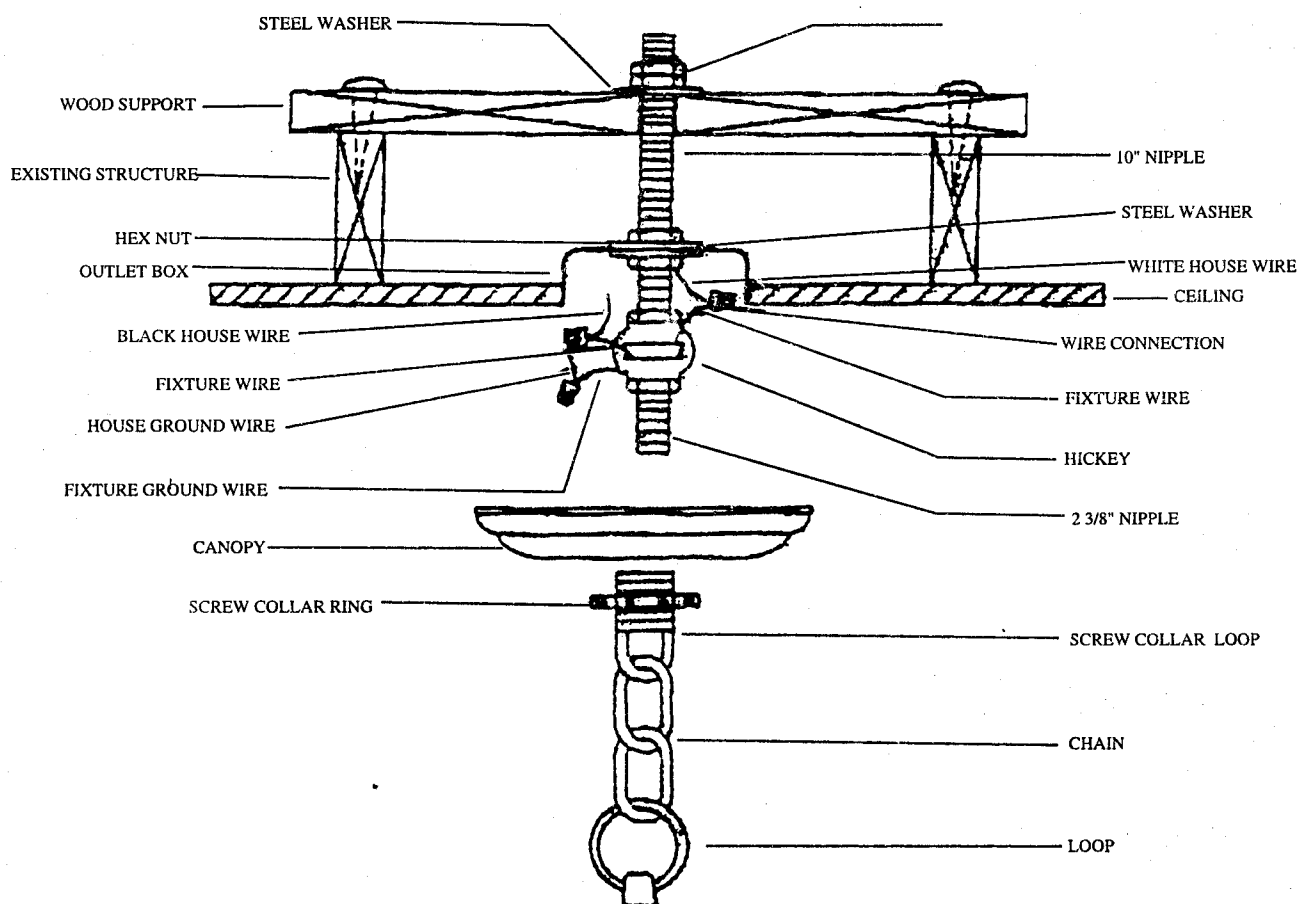
1. ATTACH THE CROSSBAR TO THE CEILING OUTLET BOX USING THE TWO SCREWS PROVIDED WITH THE OUTLET BOX. (NOTE: IF THE SCREWS WITH OUTLET BOX ARE TOO SHORT, USE THE (2) 8-32 X 1 1/4" SCREWS PROVIDED IN THE MOUNTING HARDWARE PACKAGE). NEXT, SCREW THE SCREW COLLAR LOOP ONTO THE NIPPLE AND THEN SCREW THE NIPPLE INTO THE CROSS BAR.
2. SLIDE THE SCREW COLLAR NUT AND THEN THE CANOPY ONTO THE END OF THE CHAIN. THEN FASTEN THE END LINK OF CHAIN TO THE SCREW COLLAR LOOP.
3. INSERT THE FIXTURE WIRE AND THE GROUND WIRE UP THROUGH THE NIPPLE. ATTACH THE WHITE OR RIBBED FIXTURE WIRE TO THE WHITE SUPPLY WIRE IN THE OUTLET BOX USING THE TWIST-ON WIRE CONNECTORS PROVIDED. ATTACH THE BLACK OR SMOOTH FIXTURE WIRE TO THE BLACK SUPPLY WIRE IN THE SAME MANNER. ATTACH THE FIXTURE AND SUPPLY GROUND WIRES ONTO THE CROSS BAR USING THE GREEN GROUND SCREW.
4. TUCK THE WIRES CAREFULLY INSIDE THE OUTLET BOX. NEXT RAISE THE CANOPY TO THE CEILING AND SECURE IN PLACE BY SCREWING THE SCREW COLLAR NUT ONTO THE SCREW COLLAR LOOP.
5. INSTALL THE THREE GLASS SHADES AND SECURE WITH SOCKET RINGS. INSTALL 60 WATT MAX. BULBS (NOT INCLUDED) IN SOCKETS. ATTACH TWO SUPPORT RODS. FIRST HOOK ONE END OF A SUPPORT ROD ONTO AN S-HOOK. HOOK THE OTHER END ONTO A HANGER PLATE HOOK. INSTALL THE SECOND SUPPORT ROD IN THE SAME MANNER. PLACE GLASS BOWL INTO RING AS SHOWN. INSTALL THIRD SUPPORT ROD IN THE SAME MANNER AS THE FIRST TWO.
6. RESTORE POWER. YOUR NEW FIXTURE IS NOW READY TO USE.

ASSEMBLY INSTALLATION

Disconnect power at main fuse box before installing fixture to prevent possible injury from electrical shock. Remove all parts and parts packages from carton.

Warning: Fixtures weighing more than 50lbs. or more must be mounted directly to the building structure.

Avertissement: Les accessoires qui pèsent plus que 25 kilogrammes ou doit être plus monté directement à la structure de bâtiment.



- (1) Remove center knockout in outlet box.
- (2) Position wood support across ceiling joists over outlet box. Locate and drill hole for the 3/8" nipple.
- (3) After drilling hole, align wood support over the outlet box and secure with nails.
- (4) Install 10" long nipple through wood support and center hole in outlet box with hex nuts and washers as shown. Rod should extend through outlet box a minimum of 1 1/2". Tighten the two hex nuts above the wood support against each other to lock their position on the nipple.
Caution: Do not tighten hex nuts at outlet box at this time. Leave loose until entire fixture weight is suspended.
- (5) Attach hex nut, hickey, and 2 3/8" nipple onto the end of support rod.
- (6) Connect screw collar loop onto the threaded nipple. Pass canopy over screw collar loop for visual inspection - Approximately one-half of the screw collar loops exterior threads should be exposed. Make necessary adjustments as required and remove canopy.
- (7) Spread a chain link and attach to the fixture loop. Slip threaded ring onto the other end of the chain, then the canopy, then attach chain to screw collar loop.
- (8) Weave electrical wires and ground wire up chain and through the screw collar loop and into the outlet box.

ELECTRICAL CONNECTIONS

- (1) Cut off excess wire leaving 6" for electrical connections. Split the wire into separate leads.
- (2) Connect grounding wire (green or bare copper) from the supply circuit to the grounding wire on the fixture .
- (3) Connect one half of the fixture cord to the white wire of the supply circuit. Connect the other half of the fixture cord to the black wire of the supply circuit.
- (4) CAUTION -No loose strands or loose connections should be present . Secure with UL approved wire connectors and electrical tape.