



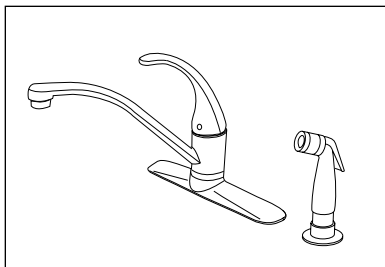
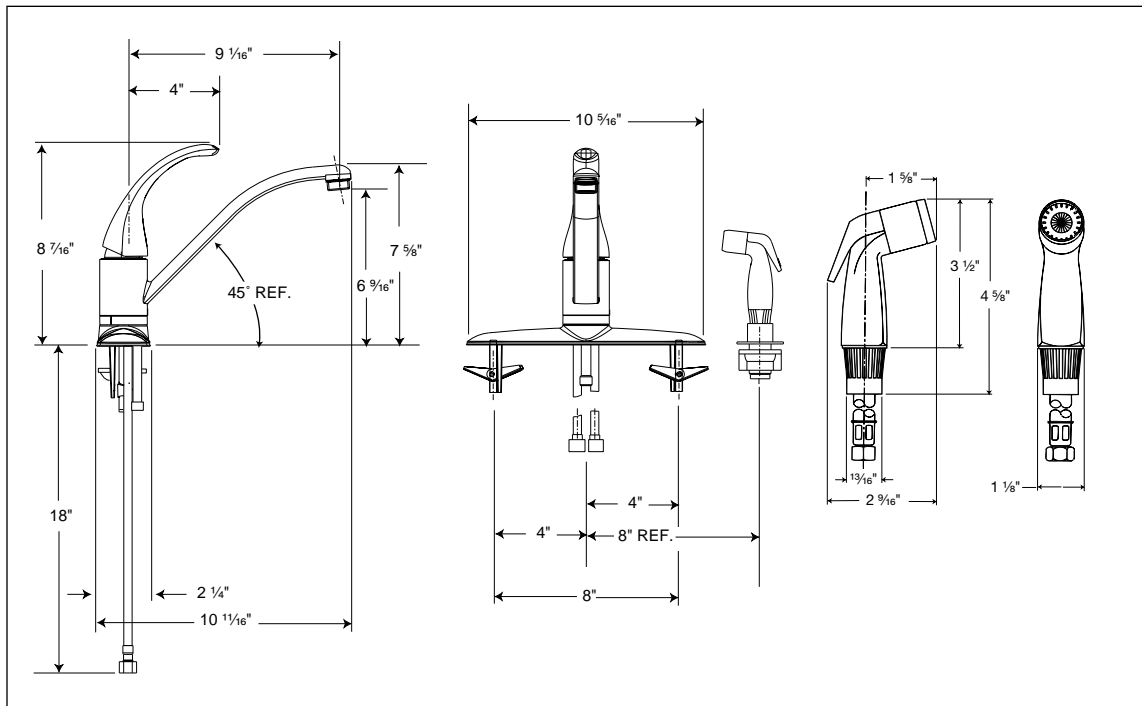
Kitchen Exclusives™
Progression™

Single Control Kitchen Faucets

STRONG. PROFESSIONAL. DESIGN.™

SPECIFICATIONS

Models C757S, C7576S, C757CGS, C757GS



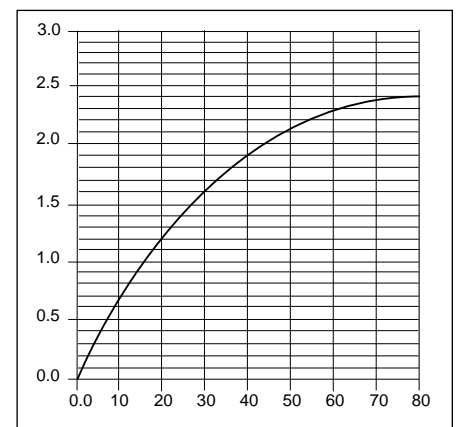
PRODUCT OVERVIEW

Single Control Kitchen with Spray
Lever handle
Compatible with 4 sink holes
(Minimum 1-1/8" dia. In-line, 4" centers)
C757S — Chrome plated, 18" supply
lines, with side spray, styled lever handle,
single pack
C7576S — Chrome plated, 18" supply
lines, with side spray, styled lever handle,
trak pak
C757CGS— Chrome/Endurable™
Lifetime Polished Brass finish accents,
18" supply lines, with side spray, styled
lever handle, single pack
C757GS —Endurable™ Lifetime Polished
Brass finish, 18" supply lines, with side
spray, styled lever handle, single pack

FEATURES

- **Input**
Min. - Max. / 20 - 80 psi
Max. Allowable 125 psi
- **Flow Rate**
2.2 gpm at 60 psi
- **Installation**
EZ Install™ mounting system
(patent pending)
- **Supply Lines**
Pre-installed flexible supply lines
with stainless steel housing
- **Connectors**
3/8" Compression
- **Valve Type**
Ceramic washerless cartridge
- **Standards and Ratings**
Meets or exceeds the requirements
of the following standards: ASME
A112.18.1M, ANSI 117.1, ADA
"Americans with Disabilities Act"
- **Warranty**
Limited Lifetime

FLOWRATE (GPM)



LINE PRESSURE P.S.I. GAUGE