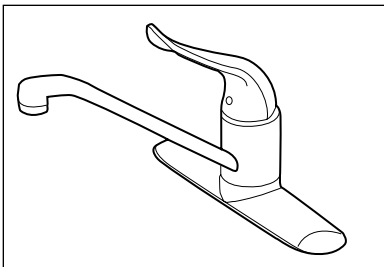
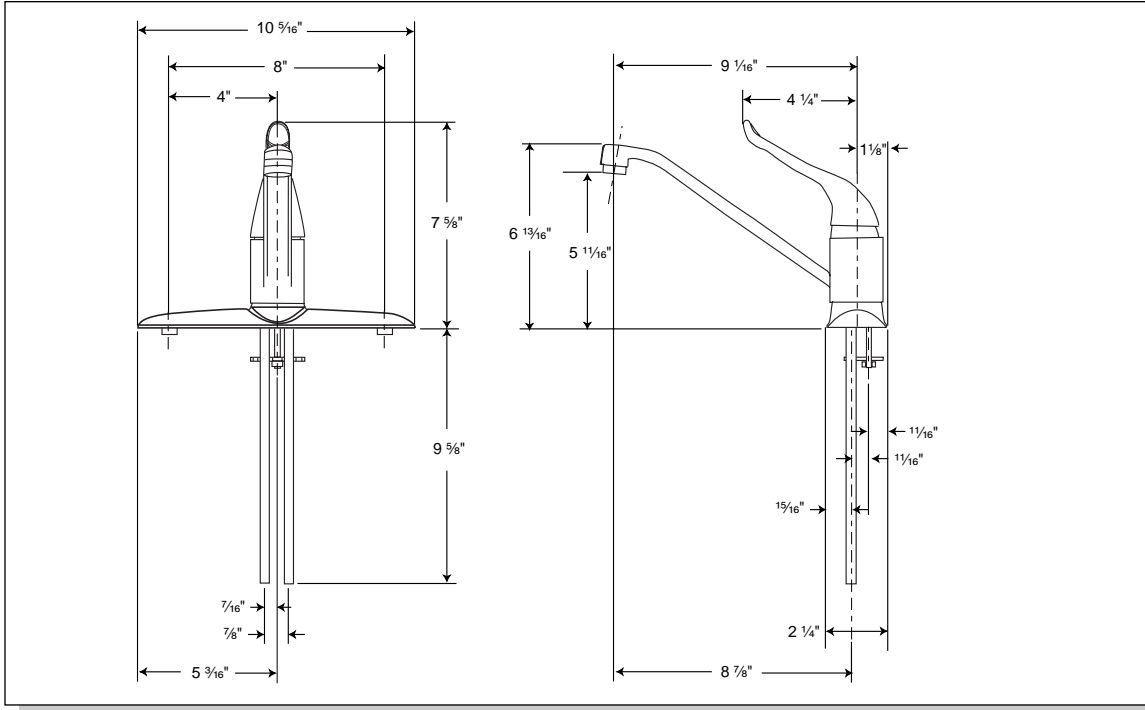




STRONG. PROFESSIONAL. DESIGN.
SPECIFICATIONS

**Kitchen Classics™
Tribute™**
Single Control Kitchen Faucets
Models C711C, C711CT



PRODUCT OVERVIEW

Single Control Kitchen
Styled lever handle
Compatible with 3 sink holes
(Minimum 1-1/8" dia. In-line, 4" centers)

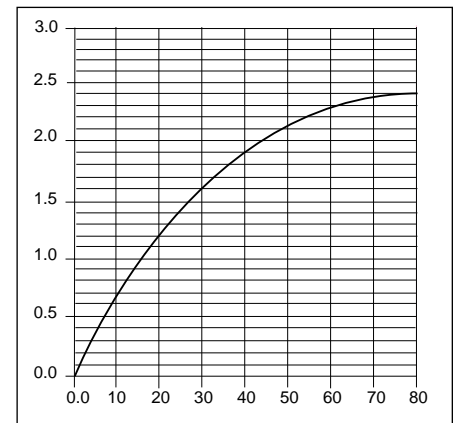
C711C — Chrome plated, copper connectors, styled lever handle, single pak

C711CT — Chrome plated, copper connectors, styled lever handle, trak pak

FEATURES

- **Input**
Min. - Max. / 20 - 80 psi
Max. Allowable 125 psi
- **Flow Rate**
2.2 gpm at 60 psi
- **Connectors**
Copper
- **Valve Type**
Ceramic washerless cartridge
- **Standards and Ratings**
Meets or exceeds the requirements of the following standards: ASME A112.18.1M, ANSI 117.1, ADA "Americans with Disabilities Act"
- **Warranty**
Limited Lifetime

FLOWRATE (GPM)



LINE PRESSURE P.S.I. GAUGE

★ Made in U.S.A.