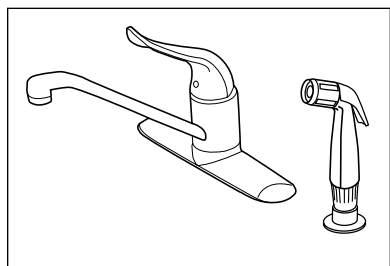
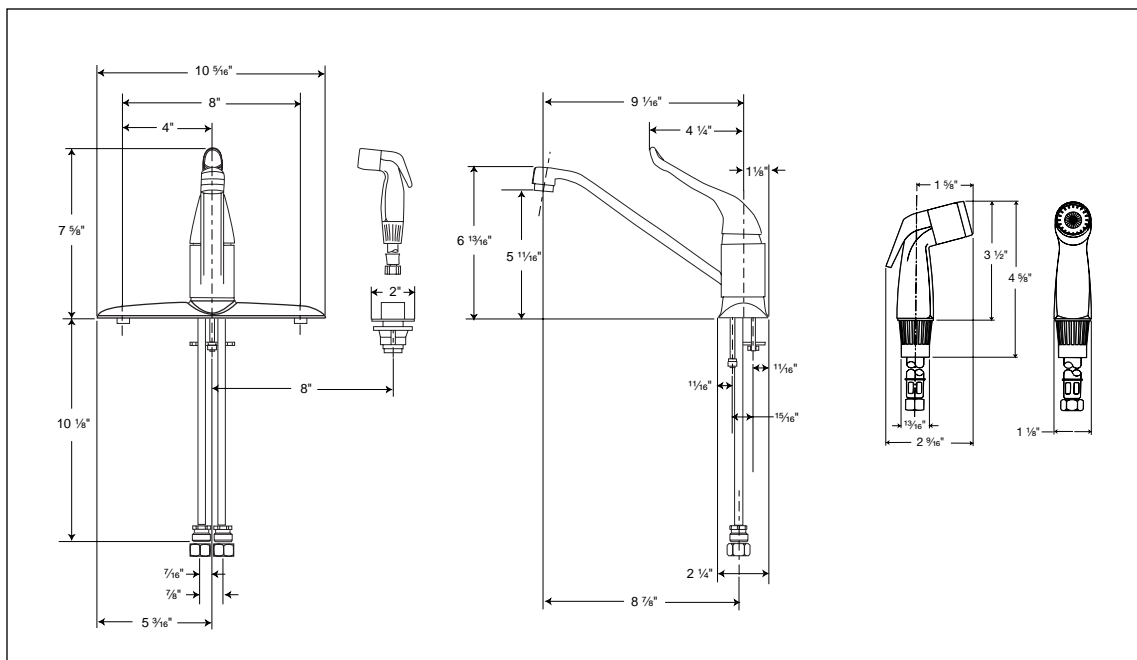




STRONG. PROFESSIONAL. DESIGN.<sup>™</sup>  
S P E C I F I C A T I O N S

Kitchen Classics<sup>™</sup>  
Tribute<sup>™</sup>

Single Control Kitchen Faucets  
Models C711FS, C711FAS, C711FWS,  
C711FCGS, C711FGS, C711FST



## PRODUCT OVERVIEW

Single Control Kitchen

Styled lever handle

Compatible with 4 sink holes

(Minimum 1-1/8" dia. In-line, 4" centers)

**C711FS** — Chrome plated, IPS connectors, with side spray, styled lever handle, single pak

**C711FAS** — Almond, IPS connectors, with side spray, styled lever handle, single pak

**C711FWS** — White, IPS connectors, with side spray, styled lever handle, single pak

**C711FCGS** — Chrome/Endurable<sup>™</sup> Lifetime polished brass accents, IPS connectors, with side spray, styled lever handle, single pak

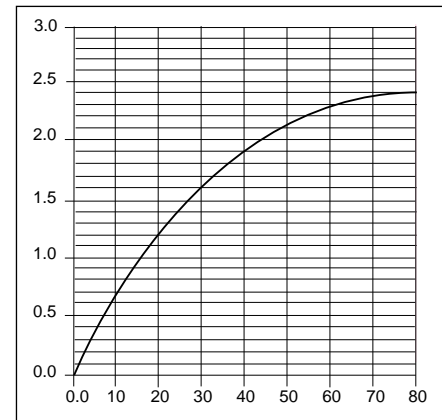
**C711FGS** — Endurable<sup>™</sup> Lifetime polished brass finish, IPS connectors, with side spray, styled lever handle, single pak

**C711FST** — Chrome plated, IPS connectors, with side spray, styled lever handle, trak pak

## FEATURES

- **Input**  
Min. - Max. / 20 - 80 psi  
Max. Allowable 125 psi
- **Flow Rate**  
2.2 gpm at 60 psi
- **Connectors**  
1/2" IPS
- **Valve Type**  
Ceramic washerless cartridge
- **Standards and Ratings**  
Meets or exceeds the requirements of the following standards: ASME A112.18.1M, ANSI 117.1, ADA "Americans with Disabilities Act"
- **Warranty**  
Limited Lifetime

## FLOWRATE (GPM)



LINE PRESSURE P.S.I. GAUGE

© 2001 Sterling Plumbing, 444 Highland Drive, Kohler, WI 53044 1-888-STERLING

www.sterlingplumbing.com

Pub. No. 00072 01/02

Fixture dimensions are nominal and conform to tolerances established by ANSI Standards, Z124.1.

★ Made in U.S.A.

Printed in U.S.A.