



A KOHLER COMPANY

ENSEMBLE™

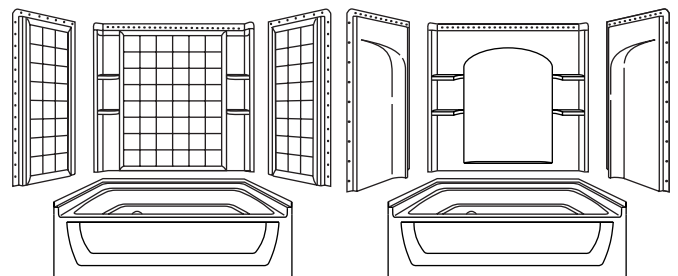
Features

- Compression molded from Sterling's exclusive solid Vikrell® material
- 1.25 hp pump with air switch and grounding-type plug-in cord
- Tongue-and-groove "snap together" design
- Durable high gloss finish
- Three-piece wall set with generous storage shelves
- 8 Jets
- Integral apron with removable access panel
- 10 year consumer/3 year commercial limited warranty, pump motor assembly has 1 year limited warranty
- Lightly pebbled bottom surface for sure footing
- 60" (152.4 cm) x 33-1/4" (84.5 cm) x 75-1/4" (191.1 cm) complete unit rough-in dimensions include flanges
- 60" (152.4 cm) x 32" (81.3 cm) x 74" (188 cm) complete unit finished dimensions

32" (81.3 cm) BATH WHIRLPOOL SYSTEM

76120110

ALSO 76120120, 76220110, 76220120



76120120

76220120

Codes/Standards Applicable

Specified model meets or exceeds the following:

- ASTM E162
- ASTM E662
- ANSI Z124.1.2
- Underwriters Laboratories (UL)
- HUD, UM Bulletin 73A
- ASTM F462 Slip Resistance
- ASME A112.19.7M
- IAPMO/UPC

Colors/Finishes

- 0: White
- Other: Refer to Price Book for additional colors/finishes

Specified Model

Model	Description	Colors/Finishes	
76120110	32" (81.3 cm) bath whirlpool and tile wall surround, left drain	<input type="checkbox"/> 0	<input type="checkbox"/> Other_____
76120120	32" (81.3 cm) bath whirlpool and tile wall surround, right drain	<input type="checkbox"/> 0	<input type="checkbox"/> Other_____
76220110	32" (81.3 cm) bath whirlpool and curved wall surround, left drain	<input type="checkbox"/> 0	<input type="checkbox"/> Other_____
76220120	32" (81.3 cm) bath whirlpool and curved wall surround, right drain	<input type="checkbox"/> 0	<input type="checkbox"/> Other_____

SterlingPlumbing.com

Visit us online for fixture color choices, detailed product information, color photos, installation instructions, care guides, and warranties. Sterling offers additional lines of plumbing products to complement the Sterling product you've chosen. Sign up for the Sterling monthly e-newsletter which showcases our latest product innovations. You may also call our Sterling Plumbing Answer Center from within the USA at 1-888-STERLING in addition to consulting with your local dealer. Sterling. Strong. Professional. Design.

ENSEMBLE™

Technical Information

Fixture*:	basin area	top area
Bathing well	42" (106.7 cm) x 20" (50.8 cm)	54" (137.2 cm) x 26" (66 cm)
To overflow	water depth	capacity
	13-3/4" (34.9 cm)	55 gal (208.2 L)

* Approximate measurements for comparison only.

Pump:	Hp	V	Hz	A
1-speed	1-1/4	120	60	7

Model	door maximum width	door maximum height
76120110	57-11/16" (146.5 cm)	55-1/2" (141 cm)
76120120		
76220110		
76220120		

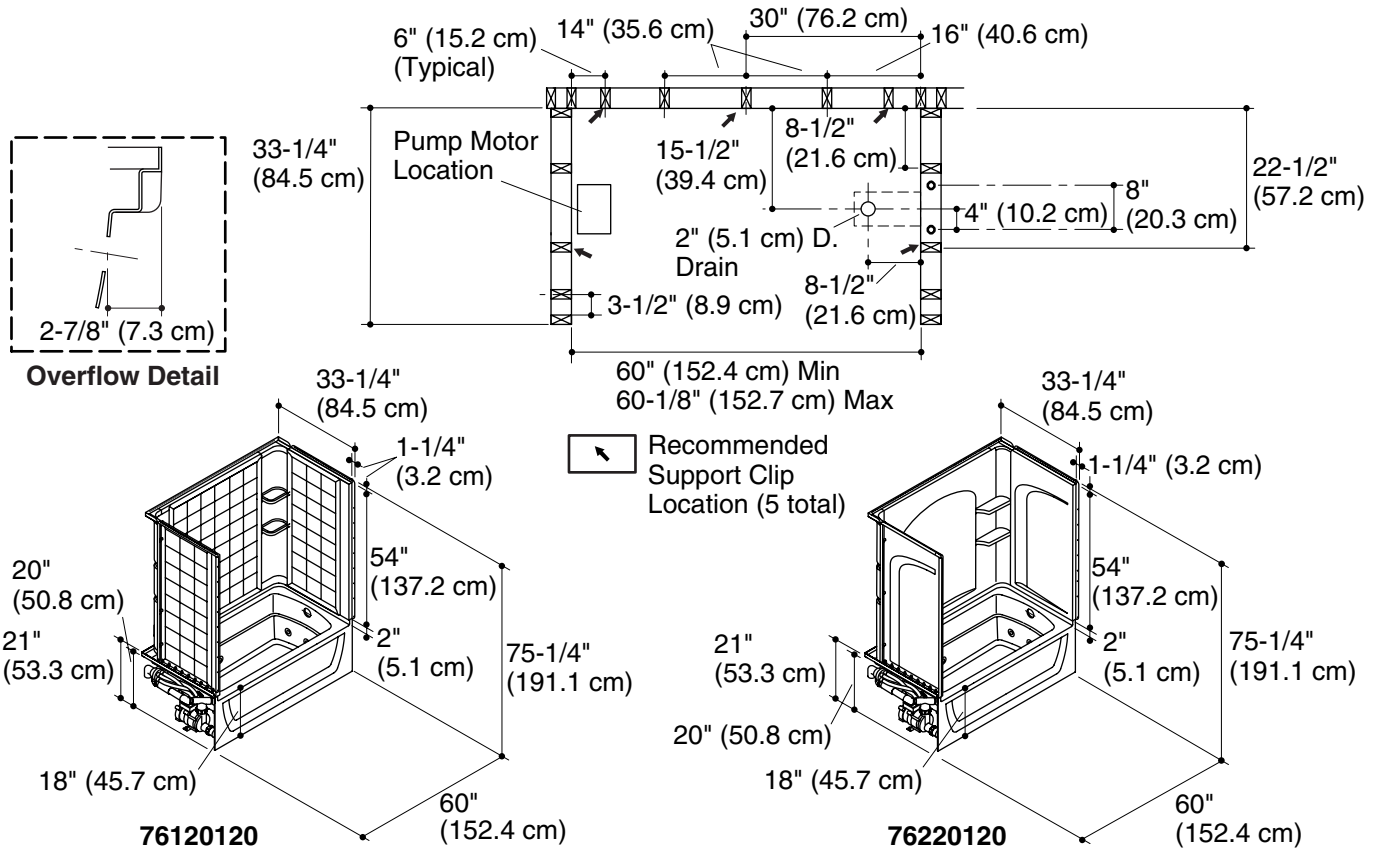
Required Electrical Service

Dedicated circuit required, protected with Class A Ground-Fault Circuit-Interrupter (GFCI):	
Pump/control	120 V, 15 A, 60 Hz

Installation Notes

Install this product according to the installation guide.

Pump is supplied with a grounding type plug-in cord. Locate the outlet behind the whirlpool, and within 24" (61 cm) of the pump.



Product Diagram