



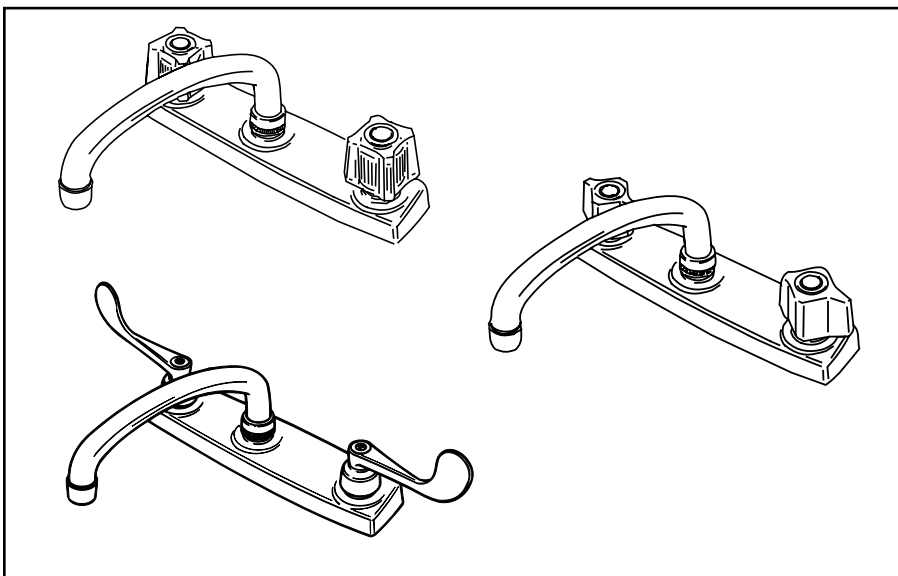
STRONG. PROFESSIONAL. DESIGN.™
SPECIFICATIONS

Kitchen Classics™ Twin Handle Compression Kitchen Faucets

Models 26110PQ, 26110, 26130PQ,
26130, 26810, 26830, 26210, 26230

Standard Features

- Maximum operating input
water pressure80 psi
- Maximum pressure125 psi
- Maximum flow rate ..2.2 gpm at 60 psi
(see chart)
- Supply connectors1/2" IPS
- Valve TypeCompression valving
- Installation requirements3 sink holes
4" centers (with fourth
hole necessary for
spray hose option)



Standards and Ratings

- ASME A112.18.1M American Society of Mechanical Engineers Standard: "Plumbing Fixtures Fittings"
- ANSI 117.1 American National Standards Institute: "American National Standards Specifications for making buildings and facilities accessible to and usable by physically handicapped people."
(Wristblade Handles Only)

Features

- Chrome plated**
- Choice of handles**
- Compression valving**

Benefits

- Durable and easy to clean.
- Easy operation and many style options.
- Ideal for hardwater area. Easy and inexpensive to maintain.

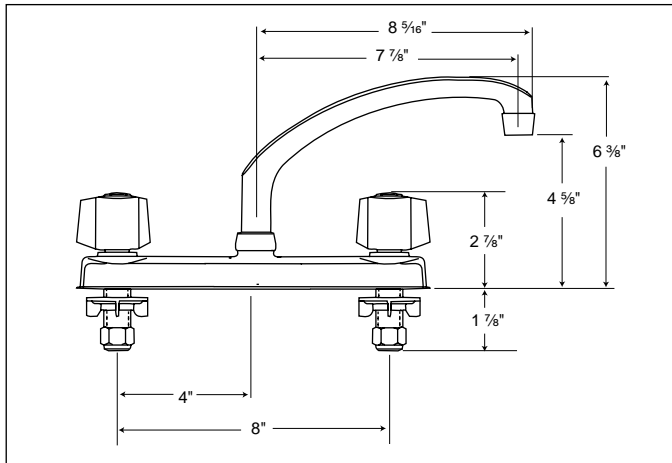
Optional Features

- Acrylic Handles
- Blade Handles
- Wristblade Handles
- With Spray
- Less Spray

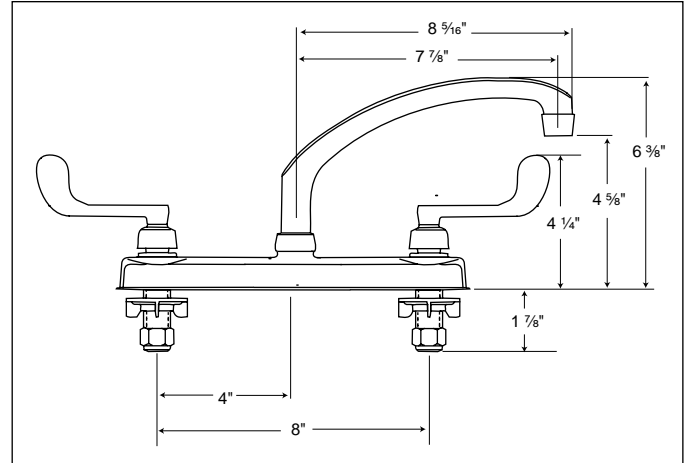
Kitchen Classics™ Twin Handle Compression Kitchen Faucets

Models 26110PQ, 26110, 26130PQ, 26130,
26810, 26830, 26210, 26230

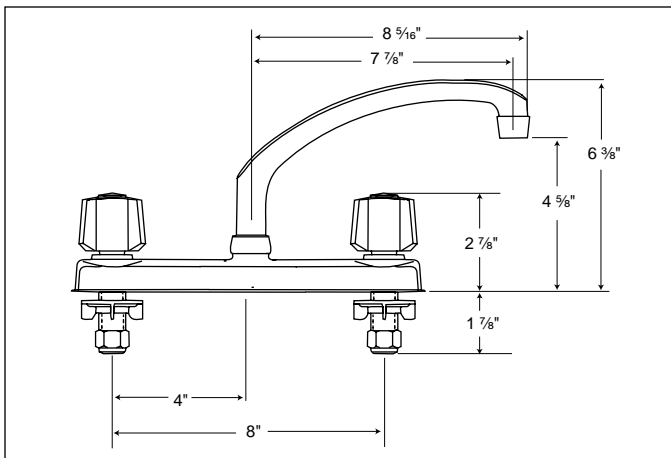
D I M E N S I O N S



**Twin Handle Compression Kitchen Faucet
with Blade Handles**

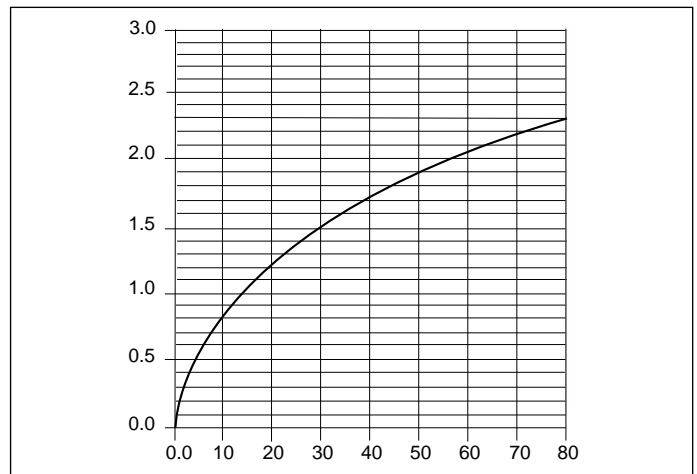


**Twin Handle Compression Kitchen Faucet
with Wristblade Handles**



**Twin Handle Compression Kitchen Faucet
with Acrylic Handles**

FLOWRATE (gpm)



**LINE PRESSURE
P.S.I. GAUGE**



STRONG. PROFESSIONAL. DESIGN.™

© 2001 Sterling Plumbing, 444 Highland Drive, Kohler, WI 53044 1-888-STERLING
www.sterlingplumbing.com

Fixture dimensions are nominal and conform to tolerances established by ANSI Standards, Z124.1.

★ Made in U.S.A.

Printed in U.S.A.