

DESCRIPTION

An adjustable Multi-lamp Recessed fixture with a 0.75" trim flange suitable for downlighting and accent applications. Utilizes TWO (2) PAR20 120V lamps.

For remodel applications. Insulation must be kept 3" from all sides and at least 1" above the housing.

Catalog #		Type
Project		
Comments		Date
Prepared by		

SPECIFICATION FEATURES

A... Housing

Housing and junction box are aluminum, trim assembly is steel with powder coated finish. Fixture utilizes a removable trim sleeve to provide a 0.75" flange around the ceiling opening and to help conceal the inner hardware of the fixture from sight below the ceiling. Can accommodate various ceiling thickness.

B... System Protection:

Thermal protection provided to guard against overheating and misuse of insulation over and around fixture. Vent holes in housing provide cooler operation.

C... Junction Box

Junction Box is UL listed for through branch wiring, 6 #12 90° C supply conductors or 60° C for end of run. The fixture is also UL listed as 'access above ceiling not required'.

D... Electrical

Electrical accessible through ceiling opening. J-Box located on the side wall of the housing behind removable access doors. Electrical components on individually removable "trays" for easy maintenance.

E... Lamps

Two (2) PAR20 120V lamps mounted in adjustable double gimbal. Lamp holders are removable and may be regressed 1" for additional cut-off. Lamps can accept up to three optical accessories (*i.e. lens + hex louver + snoot*). 45° x 45° locking lamp adjustment. Beveled-edge lamp ring is secured with threadless, bayonet action. Optional retractable arm is available for lamp pull-down and extreme aiming. Includes Med. Base sockets.

F... Mounting

A mounting frame is provided which inserts into the ceiling opening. The housing is then pushed through the mounting frame and secured with screws.

G... Labels

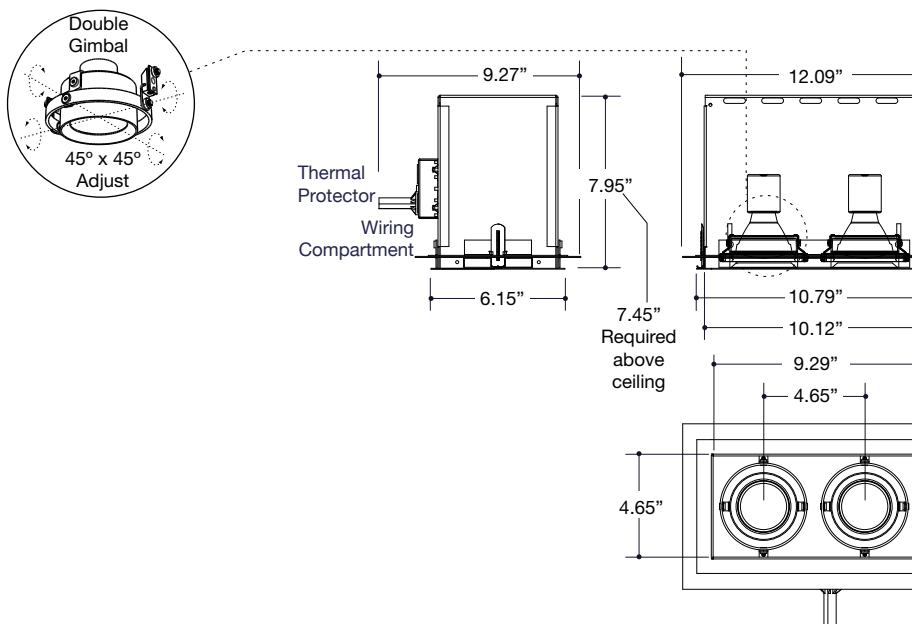
cULus listed for non-type IC applications, suitable for use in damp locations.

Ceiling Cut-Out: 5.90" x 10.38"

COMBOLIGHT® Next Generation Recessed Multi-Lamp Fixture

Two (2) Light
PAR20 120V

Remodel Housing
w/ 0.75" Trim Flange



For use with 50W PAR20 120V lamps.

ORDERING INFORMATION



C2	R	N	120	T		
Configuration C2 = COMBOLIGHT Recessed Two (2) Light	Lamp Type / Wattage Label 050P20 = 50 Watt max. PAR20 120V	Primary Voltage 1 = 120V	Lamp Mechanism G = Double Gimbal R = Retractable Double Gimbal	Trim Finish W = White B = Black S = Industrial Silver	Housing R = Remodel	Power Supply N = None - Line Voltage Lamp
		Trim Flange T = 0.75" Trim Flange		Housing Interior/Electrical Door/Sleeve Finish W = White B = Black S = Industrial Silver		