

## DESCRIPTION

An adjustable Single-lamp Recessed fixture for trimless installation suitable for downlighting and accent applications. Utilizes ONE (1) T4 G8.5 Metal Halide lamp.

For remodel applications. Insulation must be kept 3" from all sides and at least 1" above the housing.

Catalog #		Type
Project		
Comments		Date
Prepared by		

## SPECIFICATION FEATURES

### A... Housing

Housing and junction box are aluminum, trimless meshplate is steel with powder coated finish. Perforated meshplate allows for trimless installation in drywall/plaster ceilings by allowing the ceiling's mudding compound to be applied right up to the edge of the fixture opening. Includes a beveled "knife-edge" lips to ensure a clean edge. Can accommodate various ceiling thickness.

### B... System Protection:

Thermal protection provided to guard against overheating and misuse of insulation over and around fixture. Vent holes in housing provide cooler operation.

### C... Junction Box

Junction Box is UL listed for through branch wiring, 6 #12 90° C supply conductors or 60° C for end of run. The fixture is also UL listed as 'access above ceiling not required'.

### D... Electrical

Integral electronic metal halide ballasts are mounted in a separate metal enclosure box attached to the junction box with 18" of flexible conduit. Ballast enclosure includes a separated wiring compartment and two knockouts for conduit entry and features a perforated metal door for easy maintenance access and cooler operation. Entire electrical assembly (jbox and ballast enclosure) is removable from the housing for easy maintenance.

### E... Lamps

One (1) T4 G8.5 Metal Halide lamp with reflector mounted in adjustable double gimbal. Lamp holder is removable and may be regressed 1" for additional cut-off. Lamp can accept up to three optical accessories (i.e. lens + hex louver + snoot). 45° x 45° locking lamp adjustment. Beveled-edge lamp ring is secured with threadless, bayonet action. Optional

retractable arm is available for lamp pull-down and extreme aiming. Includes G8.5 socket.

### F... Mounting

Mounting clips are provided which mount the housing edge flush with the finished ceiling line. Mounting clips are secured to the housing through the meshplate with screws.

### G... Labels

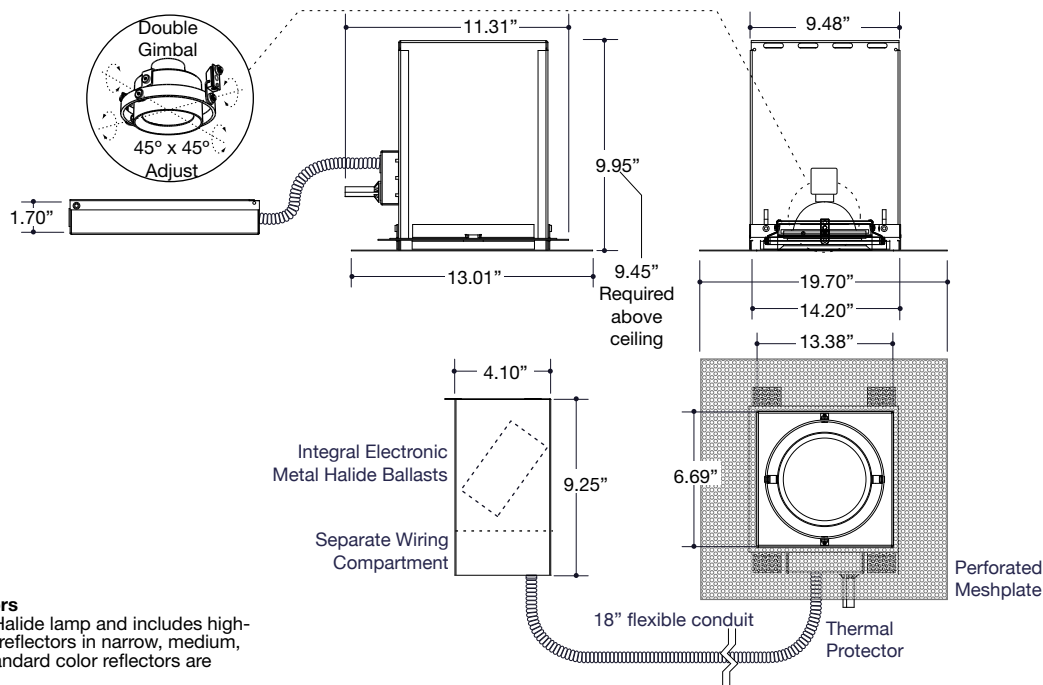
cULus listed for non-type IC applications, suitable for use in damp locations.

Ceiling Cut-Out: 7.80" x 7.80"

## COMBOLIGHT® Next Generation Recessed Single-Lamp Fixture

One (1) Light  
T4 G8.5 Metal Halide

Remodel Housing  
Trimless



### T4 G8.5 Lamp with Reflectors

This fixture utilizes T4 Metal Halide lamp and includes high-performance clear aluminum reflectors in narrow, medium, or wide distributions. Non-standard color reflectors are available upon request.

## ORDERING INFORMATION



<b>C1</b>	<b>R</b>		<b>E</b>		<b>N</b>		<b>N</b>
<b>Configuration</b> C1 = COMBOLIGHT Recessed One (1) Light Square	<b>Lamp Type / Wattage Label / Reflector Type</b> 039T4N = 39 Watt T4 G8.5 Metal Halide / Narrow 039T4M = 39 Watt T4 G8.5 Metal Halide / Medium 039T4W = 39 Watt T4 G8.5 Metal Halide / Wide 070T4N = 70 Watt T4 G8.5 Metal Halide / Narrow 070T4M = 70 Watt T4 G8.5 Metal Halide / Medium 070T4W = 70 Watt T4 G8.5 Metal Halide / Wide	<b>Power Supply Voltage</b> 1 = 120V 2 = 277V	<b>Lamp Mechanism</b> G = Double Gimbal R = Retractable Double Gimbal	<b>Trim Finish</b> N = Trimless			
<b>Housing</b> R = Remodel	<b>Power Supply</b> E = Electronic Metal Halide Ballast	<b>Trim Insert</b> N = Trimless	<b>Housing Interior/Electrical Door / Sleeve Finish</b> W = White B = Black S = Industrial Silver				