

DESCRIPTION

An adjustable Multi-lamp Recessed fixture for trimless installation suitable for downlighting and accent applications. Utilizes SIX (6) PAR20 120V lamps.

For remodel applications. Insulation must be kept 3" from all sides and at least 1" above the housing.

Catalog #		Type
Project		
Comments		Date
Prepared by		

SPECIFICATION FEATURES

A... Housing

Housing and junction box are aluminum, trimless meshplate is steel with powder coated finish. Perforated meshplate allows for trimless installation in drywall/plaster ceilings by allowing the ceiling's mudding compound to be applied right up to the edge of the fixture opening. Includes a beveled "knife-edge" lips to ensure a clean edge. Can accommodate various ceiling thickness.

B... System Protection:

Thermal protection provided to guard against overheating and misuse of insulation over and around fixture. Vent holes in housing provide cooler operation.

C... Junction Box

Junction Box is UL listed for through branch wiring, 6 #12 90° C supply conductors or 60° C for end of run. The fixture is also UL listed as 'access above ceiling not required'.

D... Electrical

Electrical accessible through ceiling opening. J-Box located on the side wall of the housing behind removable access doors. Electrical components on individually removable "trays" for easy maintenance.

E... Lamps

Six (6) PAR20 120V lamps mounted in adjustable double gimbal. Lamp holders are removable and may be regressed 1" for additional cut-off. Lamps can accept up to three optical accessories (*i.e. lens + hex louver + snoot*). 45° x 45° locking lamp adjustment. Beveled-edge lamp ring is secured with threadless, bayonet action. Optional retractable arm is available for lamp pull-down and extreme aiming. Includes Med. Base sockets.

F... Mounting

A mounting frame is provided which inserts into the ceiling opening. The housing is then pushed through the mounting frame and secured with screws through the meshplate.

G... Labels

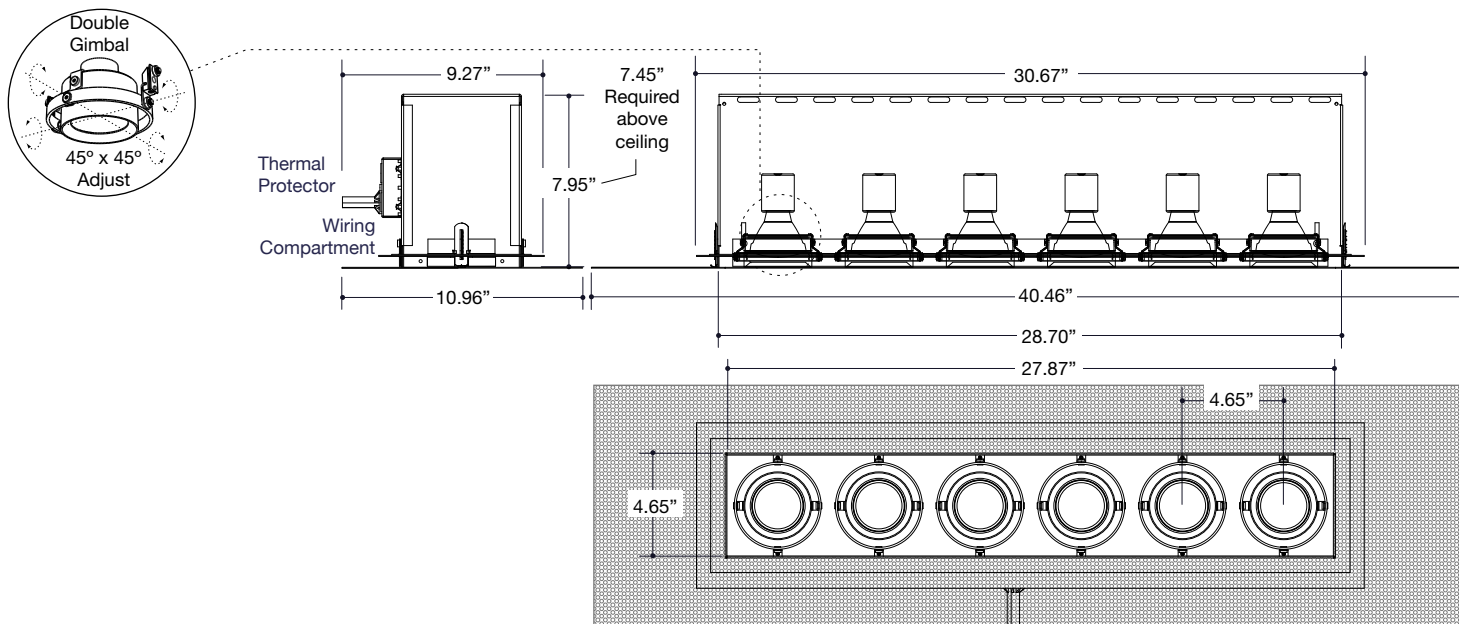
cULus listed for non-type IC applications, suitable for use in damp locations.

Ceiling Cut-Out: 5.90" x 28.96"

COMBOLIGHT® Next Generation Recessed Multi-Lamp Fixture

Six (6) Light
PAR20 120V

Remodel Housing
Trimless



For use with 20W or 39W PAR20 120V lamps.

ORDERING INFORMATION



C6	R	N	120	N	N	N
Configuration C6 = COMBOLIGHT Recessed Six (6) Light	Lamp Type / Wattage Label 050P20 = 50 Watt max. PAR20 120V	Primary Voltage 1 = 120V	Lamp Mechanism G = Double Gimbal R = Retractable Double Gimbal	Trim Insert Finish N = Trimless	Housing R = Remodel	Housing Interior/Electrical Door/Sleeve Finish W = White B = Black S = Industrial Silver
		Power Supply N = None - Line Voltage Lamp		Trim Insert N = Trimless		