

DESCRIPTION

An adjustable Multi-lamp Recessed fixture with a 0.75" trim flange suitable for downlighting and accent applications. Utilizes FIVE (5) PAR38 Metal Halide lamps.

For new construction applications. Insulation must be kept 3" from all sides and at least 1" above the housing.

SPECIFICATION FEATURES

A... Housing

Housing, junction box & trim assembly are all steel construction. Fixture utilizes a removable trim sleeve to provide a 0.75" flange around the ceiling opening and to help conceal the inner hardware of the fixture from sight below the ceiling. Can accommodate 0.50" to 1.25" ceiling thickness. Optional Chicago Plenum configuration available.

B... System Protection:

Thermal protection provided to guard against overheating and misuse of insulation over and around fixture. Vent holes in housing provide cooler operation.

C... Junction Box

Junction Box is UL listed for through branch wiring, 6 #12 90° C supply conductors or 60° C for end of run. The fixture

is also UL listed as 'access above ceiling not required'.

D... Electrical

Electrical accessible through ceiling opening. J-Box located on the side wall of the housing behind removable access doors. Integral electronic metal halide ballasts on individually removable "trays" for easy maintenance. May also be configured for remote power.

E... Lamps

Five (5) PAR38 Metal Halide lamps mounted in adjustable double gimbals. Lamp holders are individually removable and may be regressed 1" for additional cut-off. Lamp can accept optical accessories. 45° x 45° locking lamp adjustment. Beveled-edge lamp ring is secured with threadless,

bayonet action. Optional retractable arm is available for lamp pulldown and extreme aiming. Includes Med. base sockets.

F... Mounting

Butterfly Brackets accept 1/2" EMT, C Channel, Tbar fasteners, and bar hangers. Four tabs on housing for securing to structure.

G... Labels

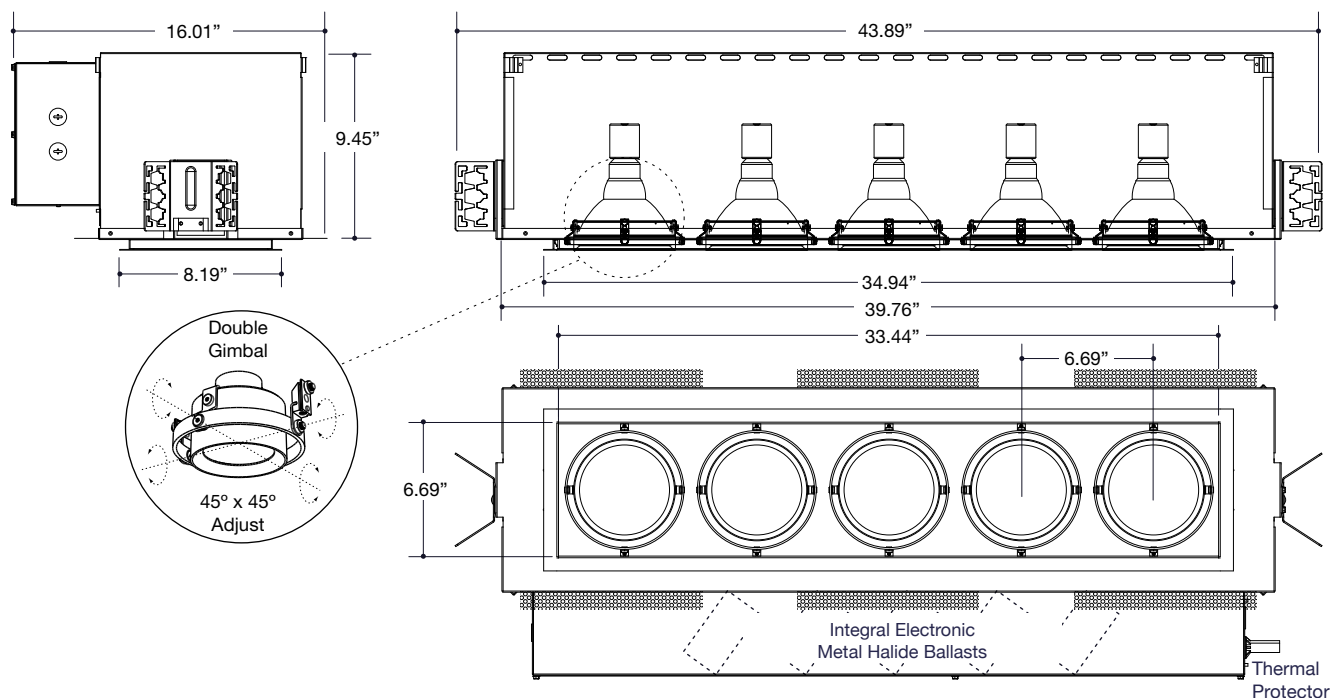
cULus listed for non-type IC applications, suitable for use in damp locations.

Ceiling Cut-Out: 7.49" x 34.24"

COMBOLIGHT® Next Generation Recessed Multi-Lamp Fixture

Five (5) Light
PAR38 Metal Halide

New Construction
Housing
w/ 0.75" Trim Flange



For use with 70W or 100W PAR38 Metal halide lamps.

ORDERING INFORMATION



C5	E	T		
Configuration C5 = COMBOLIGHT Recessed Five (5) Light	Lamp Type / Wattage Label 070M38 = 70 Watt PAR38 Metal Halide 100M38 = 100 Watt PAR38 Metal Halide	Power Supply Voltage 1 = 120V 2 = 277V	Lamp Mechanism G = Double Gimbal R = Retractable Double Gimbal	Trim Finish W = White B = Black S = Industrial Silver
Housing N = New Construction C = Chicago Plenum	Power Supply E = Electronic Metal Halide Ballast	Trim Flange T = 0.75" Trim Flange	Housing Interior/Electrical Door/Sleeve Finish W = White B = Black S = Industrial Silver	