

MAG & MAG-EXT

Projector Mounts

In addition to the MAG-PRO, the MAG Series offers two other models to choose from to help ensure a perfect installation in any type of environment. For a near invisible installation, choose MAG. For angled, vaulted ceiling conditions, choose the MAG-EXT.



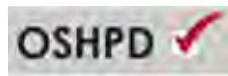
MAG



MAG-EXT

- 6° tilt; 6° roll; 360° rotation
- MagnaGuide[®] Technology (patent-pending)
- Lock-It™ security hardware
- Easy one-person mounting of most projectors up to 10 lbs.
- Radial Glide Technology™ (patent-pending)
- OSHPD tested (OPA-1681MAG; OPA-1682 MAG-EXT)
- Lifetime warranty
- Color: Silver

Model	Max. Wt.
MAG	10 lbs. (5 kgs.)
MAG-EXT	10 lbs. (5 kgs.)



What is MagnaGuide[®] Technology? MagnaGuide[®] Technology utilizes high-powered magnets to 'draw' the projector in to the ceiling mount, to make mounting your projector as easy as 1, 2, 3.

1. Align



2. Lock

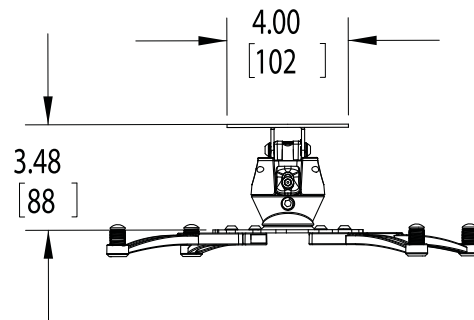
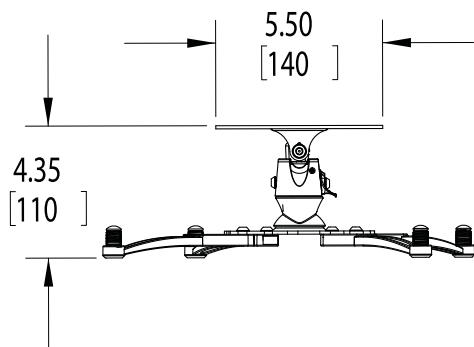
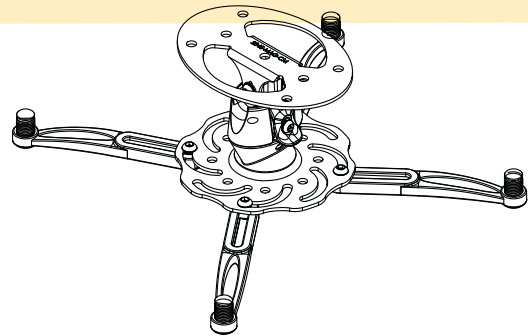
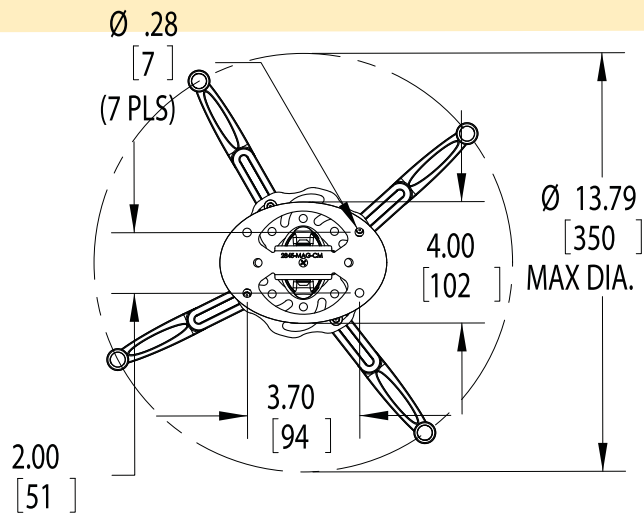


3. Secure

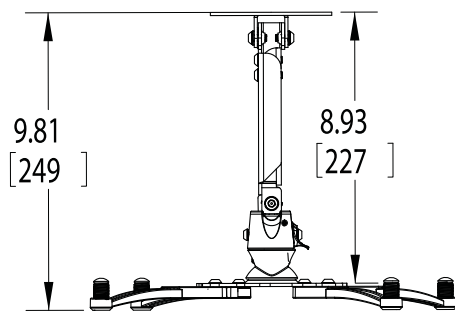


PREMIER MOUNTS[®]

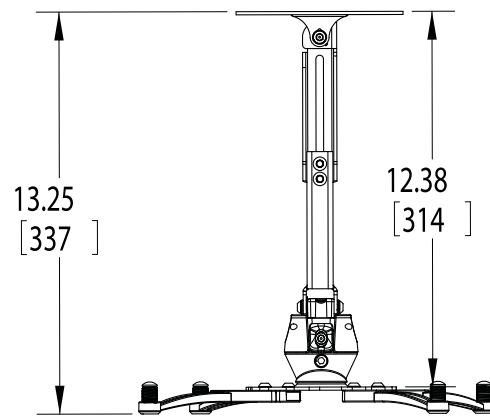
SPECIFICATIONS



MAG



(MIN EXT)



(MAX EXT)

MAG-EXT

Dimensions are in inches and millimeters [mm].
 Drawings are subject to change without notice.

800.368.9700 | www.mounts.com

