







## Free floor-standing – moving the light closer

The free floor-standing range is a lighting solution that provides maximum flexibility in the office space as a stand-alone light source or secondary task lighting. Available with MASTER PL-L or MASTER TL5 lamps, these luminaires combine the latest micro-lens optic (MLO) innovations with a stylish design that will blend in with the office environment.

The MLO ensures optimum light distribution and full glare control in compliance with the latest office-lighting norm (EN 12464-1). The luminaires offer both direct and indirect lighting, ensuring a pleasant light atmosphere for general or task lighting.

The free floor-standing luminaires allow you to personalize your working environment by using the handy switch to regulate the light level or even the color temperature of the light (Dynamic Lighting version).

The free floor-standing line completes the Savio, Arano and Celino ranges and is available with ActiLume (daylight and presence detection) to provide an excellent energy-saving solution.

[www.philips.com/lighting](http://www.philips.com/lighting)



### Savio free floor-standing

Savio has an edge-to-edge lighting appearance with a uniform and comfortable brightness impression – a real 'surface of light'.

Savio free floor-standing luminaires with Dynamic Lighting enhance your personal space by offering adjustable color temperature settings to give you personal light.



### Arano free floor-standing

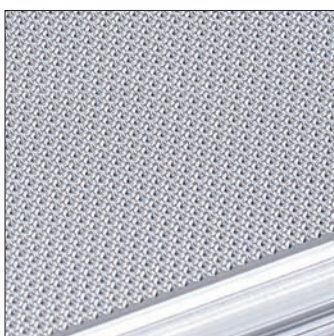
Arano's pure, form-follows-function design is optimized for efficient and comfortable light installation.

With its compact dimensions, Arano reflects the market trend towards miniaturization and architectural integration. The housing is made of natural anodized extruded aluminum.



### Celino free floor-standing

Made of natural anodized aluminum, the Celino housing is a mere 71 mm wide and has die-cast aluminum end caps.



### MLO optic

With the new patented micro-lens optic (MLO), the lamps are not directly visible and full glare control from all viewing angles is a reality (Omnidirectional Luminance Control, OLC). The microlens optic is highly efficient and meets the latest office standards:  $L_m < 1000 \text{ cd/m}^2$  in all viewing directions at  $\gamma \geq 65^\circ$  and  $UGR < 19$  (EN 12464-1). This means no disturbing glare on PC or laptop screens, regardless of where they are positioned in the room.



### ActiLume

Philips ActiLume provides daylight regulation, occupancy control and personal regulation for maximum visual comfort and automatic energy saving.



### Dimming

Savio's precisely integrated switch is intuitive to use and offers both on/off and dimming functions.



### Switch

Arano makes the choice easy because it has separate switches – one or two lamps can be switched off if less light is required. A dimmable version is also available, which works as intuitively as in the Savio / Celino dimmable version.

---

## Savio FFS/TFS764



# Savio – pure light

Featuring Philips' patented micro-lens optic technology, Savio is a complete luminaire range that offers the ideal combination of stylish design and optimum performance for both task and general lighting.

Savio has an edge-to-edge lighting appearance with a uniform and comfortable brightness impression – a real 'surface of light'. The micro-lens optic consists of a single plate and is embedded in a housing made of high-quality natural anodized aluminum. Savio ensures optimum light distribution and full glare control in compliance with the latest office-lighting norm (EN 12464-1).

Savio luminaires with Dynamic Lighting keep us feeling active by creating dynamic artificial light that varies over the course of the day or is set according to personal preference.

Savio is available as a full range: suspended, surface-mounted, recessed, free-standing and wall-mounted.

[www.philips.com/lighting](http://www.philips.com/lighting)



Savio wall-mounted



Savio free floor-standing



Savio surface-mounted



Savio suspended



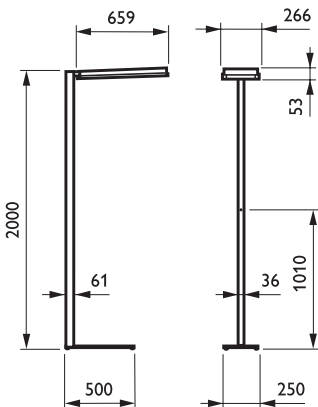
Savio recessed



Savio			
Type	FFS764 (standard, PL-L-lamp version) TFS764 (standard, TL5-lamp version) TFS772 (Dynamic lighting, TL5-lamp version)	Optical cover	Acrylate micro lens optic (AC-MLO) Polycarbonate micro lens optic (PC-MLO)
Light source	Compact fluorescent: 3 x MASTER PL-L 4 Pin / 2G11 / 55, 80 W Fluorescent: 3 x or 4 x MASTER TL5 / G5 / 24 W	Option	Lighting controls: Color Variation Controller (CVC) ActiLume multi controller (ACL) Euro fuse (FU) included
Lamp included	Yes (lamp color 830 or 840) (standard version) Yes (lamp color 827 and 865) (Dynamic Lighting version)	Material	Housing: post-lacquered aluminum, pole and foot in silver grey Optical cover: AC-MLO: PMMA, PC-MLO: polycarbonate
Light distribution	Direct / Indirect (D/I)	Remarks	Delivered as complete luminaire with lamps and plug cable TFS772 delivered as KIT with remote controll
Gear	Electronic, 220 - 240 V / 50 - 60 Hz: High Frequency Regulator; touch-switch, DALI interface (HFD-T)	Main applications	Office



Where relevant, for detailed descriptions of Lighting Controls we refer you to chapter 11, and descriptions for e.g. optics/optical covers, lamps data, photometrical diagrams, etc. to the respective sections in chapter 12.



Savio FFS/TFS764/TFS772



Savio FFS/TFS764/TFS772 free-standing luminaire with PMMA or polycarbonate micro-lens optic (AC-MLO, PC-MLO), and Dynamic Lighting option (TFS772 only)

**Preferred selection**

Product ID	Weight (kg)	European Order Code (EOC)
FFS764 3xPL-L55W/840 HFD-T AC-MLO	18.10	561296 00
FFS764 3xPL-L80W/840 HFD-T AC-MLO	18.10	561302 00
TFS764 4xTL5-24W/840 HFD-T AC-MLO	17.85	561319 00
FFS764 3xPL-L55W/840 HFD-T AC-MLO ACL	18.15	561326 00
TFS772 3xTL5-24W/827/865 HFD AC-MLO CVC	18.30	561456 00

Please contact your local Philips representative for additional configurations

Savio FFS/TFS764/TFS772 free-standing luminaire with PMMA or polycarbonate micro-lens optic (AC-MLO, PC-MLO), and Dynamic Lighting option (TFS772 only)



Switch for Savio FFS/TFS764/TFS772 free floor-standing luminaire





---

## Arano FFS/TFS644



## Arano – standing light box

Arano FFS/TFS640 is an innovative range of indirect/direct free-standing luminaires for PL-L (FFS640) and TL5 fluorescent lamps (TFS640), featuring Philips' micro-lens optic (MLO). The patented micro-lens optic ensures full glare control in all viewing directions, in compliance with the latest office-lighting norm (EN12464-1). A complete range of surface-mounted, suspended and wall-mounted Arano luminaires is also available.

[www.philips.com/lighting](http://www.philips.com/lighting)

Arano free floor-standing



Arano wall-mounted



Arano suspended



Arano surface-mounted



Arano Nordic suspended

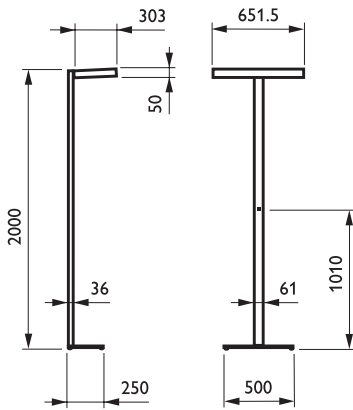


Arano	
Type	FFS644 (PL-L-lamp version) TFS644 (TL5-lamp version)
Light source	Compact fluorescent: 2 x or 3 x MASTER PL-L 4 Pin / 2G11 / 55, 80 W Fluorescent: 4 x MASTER TL5 / G5 / 24 W
Lamp included	Yes (lamp color 830 or 840)
Light distribution	Direct / Indirect (D/I)
Gear	Electronic, 220 - 240 V / 50 - 60 Hz: High Frequency Performer (HFP) High Frequency Regulator; touch-switch, DALI interface (HFD-TD)

Optical cover	Acrylate micro lens optic (AC-MLO) Polycarbonate micro lens optic (PC-MLO)
Option	Lighting controls: ActiLume multi controller (ACL) Euro fuse (FU) included
Material	Housing: post-lacquered aluminum, pole and foot in silver grey Optical cover: AC-MLO cover: PMMA, PC-MLO cover: polycarbonate
Remarks	Delivered as complete luminaire with lamps and plug cable
Main applications	Office



Where relevant, for detailed descriptions of Lighting Controls we refer you to chapter 11, and descriptions for e.g. optics/optical covers, lamps data, photometrical diagrams, etc. to the respective sections in chapter 12.



FFS644/TFS644



Arano FFS/TFS644 free floor-standing luminaire with PMMA or polycarbonate micro-lens optic (AC-MLO, PC-MLO)

**Preferred selection**

Product ID	Weight (kg)	European Order Code (EOC)
TFS644 4xTL5-24W/840 HFP AC-MLO	17.25	561692 00
FFS644 3xPL-L80W/840 HFP AC-MLO SW	17.90	561685 00
FFS644 3xPL-L55W/840 HFP AC-MLO SW	17.90	561678 00
FFS644 3xPL-L55W/840 HFD-T AC-MLO ACL	17.95	561500 00
FFS644 3xPL-L55W/840 HFD-T AC-MLO FU	18.00	561746 00

Please contact your local Philips representative for additional configurations

Arano FFS/TFS644 free floor-standing luminaire with PMMA or polycarbonate micro-lens optic (AC-MLO, PC-MLO)

Switch for Arano FFS/TFS644 free floor-standing luminaire





---

# Celino FFS684



# Celino – light beam

Celino is a complete luminaire range that reflects the market trend towards miniaturization and architectural integration, while at the same time delivering a significant advance in optical performance.

Celino features Philips' aluminum micro optic with 3D lamellae, which ensures optimum visual comfort and efficiency in compliance with the latest office-lighting norm (EN 12464-1).

Made of natural anodized aluminum, the housing of Celino is a mere 71 mm wide and has die-cast-aluminum end caps. The design allows multiple luminaires to be connected in a line arrangement.

Celino is available as a full range – suspended, surface-mounted, free-standing and wall-mounted – for maximum freedom in application.

[www.philips.com/lighting](http://www.philips.com/lighting)

Celino wall-mounted



Celino recessed TBS692



Celino free floor-standing



Celino surface-mounted



Celino suspended



Celino recessed TBS690



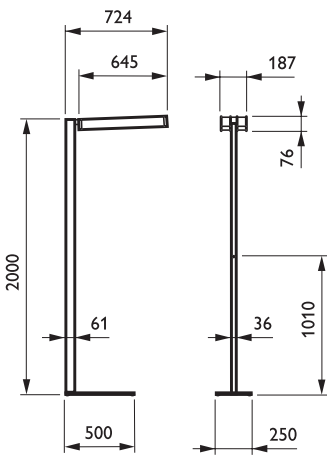
# Celino FFS684

Celino	
Type	FFS684
Light source	Compact fluorescent: 2 x MASTER PL-L 4 Pin / 2G11 / 80W
Lamp included	Yes (lamp color 830 or 840)
Light distribution	Direct / Indirect (D/I)
Gear	Electronic, 220 - 240 V / 50 - 60 Hz: High Frequency Regulator; touch-switch, DALI interface (HFR-TD)
Optical cover	Polycarbonate micro lens optic (PC-MLO)

Option	Lighting controls: ActiLume multi controller (ACL) Euro fuse (FU) included
Material	Housing: post-lacquered aluminum, pole and foot in silver grey Optical cover: polycarbonate
Remarks	Delivered as complete luminaire with lamps and plug cable
Main applications	Office



Where relevant, for detailed descriptions of Lighting Controls we refer you to chapter 11, and descriptions for e.g. optics/optical covers, lamps data, photometrical diagrams, etc. to the respective sections in chapter 12.



FFS684



Celino FFS684 free-standing luminaire with polycarbonate micro-lens optic (PC-MLO)

### Preferred selection

Product ID	Weight (kg)	European Order Code (EOC)
FFS684 2xPL-L80W/840 HFR-T PC-MLO ACL	18.40	561753 00
FFS684 2xPL-L80W/840 HFR-T PC-MLO	18.30	561760 00

Please contact your local Philips representative for additional configurations

Celino FFS684 free floor-standing luminaire with polycarbonate micro-lens optic (PC-MLO)



Switch for Celino FFS684 free floor-standing luminaire



