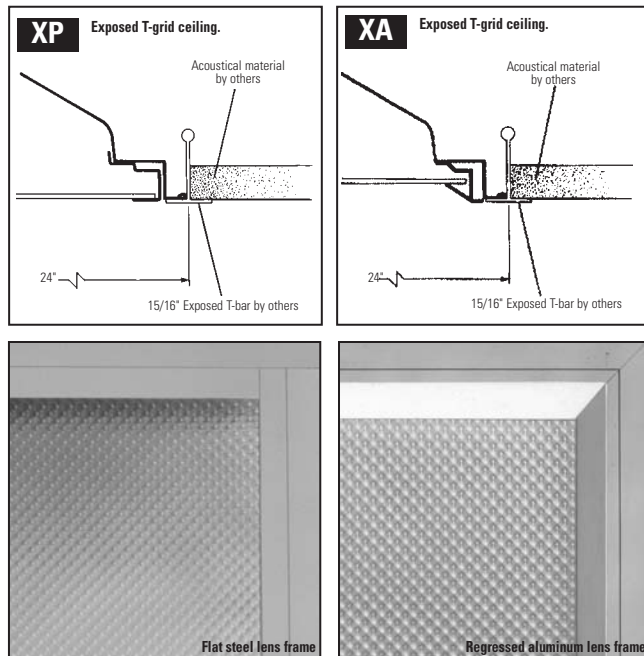


Features

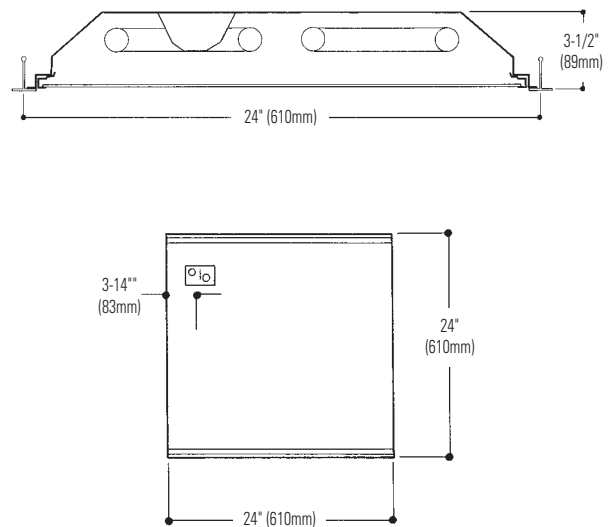
- Efficiency 71.7% (T8 lamps)
- One piece housing
- Only 3-1/2" nominal deep body
- Flat steel full-size lens frame
- Regressed extruded aluminum lens frame
- Cam-action latches
- UL-Listed twin knockout access plate for easy closed lens frame wiring



Mounting Methods



Dimensions



Job Information

Type:

Job Name:

Cat. No.:

Lamp(s):

Volts/Ballast:

For Factory Technical Information: (978) 657-7600 • Fax (978) 658-0595
631 Airport Road, Fall River, MA 02720 • (508) 679-8131 • Fax (508) 674-4710

03/08

We reserve the right to change details of design, materials and finish.

www.lightolier.com © 2008 a Philips Group

Section 1A/Folio F60-50 Rev. A

Photometry

Model No. XP2GVA26U120S0

GIL TESTING LABORATORY

45 Industrial Way
 Wilmington, MA 01897
 (978) 657-7600

REPORT NUMBER: G2004002 DATE: 01-16-2004
 CATALOG NUMBER: XP2GVA26U120S0
 LAMP: FS1175/T8/1175
 LUMINAIRE: XP2X2 WITH NEW COVER, FS DOOR, AND VA LENS
 BALLAST: TRAD E2321120
 0.47 AMPS 55.3 WATTS
 REPORT IS BASED ON 2750 LUMENS PER LAMP.

CANDELA DISTRIBUTION		FLUX		
0.0	22.5	45.0	67.5	90.0
0	1638	1638	1638	1638
5	1629	1679	1630	1634
10	1553	1560	1578	1597
15	1469	1424	1463	1501
20	1389	1298	1263	1120
25	890	911	966	1021
30	588	592	636	663
35	340	312	305	348
40	174	156	140	180
45	53	52	51	64
50	0	0	0	0

ZONAL LUMEN SUMMARY			
ZONE	LUMENS	%LAMP	%FIXT
0-30	3278	23.2	32.3
0-40	2066	37.6	52.4
0-60	3376	61.4	85.6
0-90	3945	71.7	100.0
90-180	0	0.0	0.0
0-180	3945	71.7	100.0

TOTAL LUMINAIRE EFFICIENCY = 71.7 %

CCT TYPE - DIRECT
 PLANE : 0-DEG 90-DEG
 SPACING CRITERIA : 1, 2 1, 3
 SHIELDING ANGLES : 90 90
 PLANE : 0-DEG 90-DEG
 LUMINOUS LENGTH : 21.960 21.960

LUMINANCE DATA IN CANDELA/SQ METER
 IN DEG 0-DEG 45-DEG 90-DEG
 45 4044. 4389. 4794.
 55 3294. 3563. 3832.
 65 2585. 2319. 2775.
 75 2160. 1738. 2245.
 85 1954. 1880. 2396.

THIS REPORT IS BASED ON PUBLISHED INDUSTRY PROCEDURES. FIELD PERFORMANCE MAY DIFFER FROM LABORATORY PERFORMANCE.

LER = FL - 62.3 IW - 55.3 BF - 0.87

Comparative yearly lighting energy cost per 1000 lumens = \$3.85

coefficients of utilization — zonal cavity method (effective floor cavity reflectance 0.20)

RF	20			20			
	RC	80	50	RC	80	50	
RW	70	50	30	50	30	10	
room cavity ratio	1	79	76	73	71	69	67
	2	72	67	62	63	60	57
	3	66	59	54	56	52	48
	4	61	53	47	50	46	42
	5	56	48	42	45	40	37
	6	52	43	37	41	36	32
	7	49	39	33	38	33	29
	8	45	36	30	35	30	26
	9	42	33	27	32	27	23
	10	40	31	25	30	25	21

visual comfort probability (rated lumens per lamp 2850.)

room size		ceiling height				ceiling height			
W	L	8.5	10.0	13.0	16.0	8.5	10.0	13.0	16.0
20	20	62	66	72	80	59	63	69	77
20	30	56	59	63	70	52	56	60	66
20	40	53	55	59	63	48	51	55	60
20	60	50	52	54	58	45	48	50	54
30	20	63	67	72	78	61	65	69	76
30	30	56	59	63	68	53	57	60	65
30	40	53	55	57	61	49	51	54	58
30	60	50	52	53	56	45	47	49	52
30	80	49	50	50	53	44	46	46	49
40	20	65	68	73	77	64	67	71	76
40	30	58	61	64	67	55	59	61	65
40	40	53	56	58	60	50	53	55	58
40	60	50	52	53	55	46	48	49	52
40	80	49	50	50	53	45	46	46	49
40	100	49	50	49	50	45	45	44	46
60	30	59	62	64	68	57	60	63	66
60	40	54	56	58	61	52	54	56	59
60	60	51	52	53	55	47	49	50	53
60	80	49	50	50	52	45	46	46	49
60	100	49	49	48	50	45	45	44	46
100	40	57	59	60	63	55	57	59	62
100	60	53	54	54	57	51	52	52	55
100	80	52	52	51	53	49	49	48	50
100	100	51	51	49	51	48	47	46	47

Ordering Information

Explanation of Catalog Number. Example: XP2GVA26U120S0GLR

XP	2	G	VA	2	6U	120, 277 or UNV=120-277	-	-
XP = Recessed Fluorescent with Flat Steel Lens Frame XA = Recessed Fluorescent with Regressed Aluminum Lens Frame	Fixture Width	Ceiling Type: G = Grid (lay-in) T-bar	Lens Shielding Type: VA = Virgin Acrylic (standard) see options and consult factory	Lamp Quantity: (By others) 2 = 2 Lamp	Lamp Fixture Length: 6U = 6", U Lamp T8 or T12	Voltage: 120, 277 or UNV=120-277	Ballast Type: 1-2 Lamp Magnetic (T12) 1-2 Lamp Elec. (T8) LOL T8 Dimming *Instant Start Standard Other dimming options. Consult factory.	Options: Lamps Flex EM Pack Fuse (Consult your representative)

Options/Accessories

Special Lens: Substitute **VY** for .125" nominal pattern 12 with 7.8 oz. average weight per square foot. Substitute **VI** for .125" normal pattern 12 with 6.8 oz. average weight per square foot.

Access Plates: Top wiring access plate is shipped with fixture as standard. When access plates are required in advance for wiring convenience, specify separately. Order Catalog Number: **ACP CSP**.

Electrical Wiring Options: Consult factory.

Fusing: Internal fast-blow fusing. Suffix: **GLR**.
 Internal slow-blow fusing. Suffix: **GMF**.

Radio Interference Filter: 120 or 277 volt, 50 or 60 Hz. One per fixture: Suffix: **R**. One per ballast: Suffix: **B**.

Drywall Kit: G type fixtures for drywall or plaster ceilings. Order Catalog Number: **FK92X2**.

Specifications

Performance: In an installation of 2 lamps 32 W luminaires in a room cavity ratio of 1, with reflectance of 80% ceiling, 50% walls, 20% floor, the C.U. shall not be less than .76. To reduce glare the VCP shall not be less than 47 either lengthwise or crosswise (at 100 fc level) and the average brightness at 65 shall not exceed 2775 footlamberts. To control veiling reflections, luminaire output in the 30°-90° zone shall be not less than 67.7%.

Specifications (continued)

Materials: Chassis parts are die-formed code gauge cold rolled steel. **Lens frames—(XP)** flat full-size steel frame, **(XA)** regressed full-size aluminum frame.

Finish: Chassis exterior—white baked polyester enamel. **Cavity**—white baked polyester enamel minimum 86% reflectance. Phosphate undercoating.

Lens: Extruded virgin acrylic 3/16" square based female cones, running 45° to the panel edge. .095" nominal thickness (similar to pattern 12).

Electrical: Thermally protected class "P" ballast C.B.M. approved, non PCB. If K.O. is within 3" of ballast, use wire suitable for at least 90°.

Labels: I.B.E.W./UL and ULc Listed.

This product may have a mercury containing lamp. Manage in accord with Disposal Laws. See: www.lamprecycle.org

Job Information

Type:

For Factory Technical Information: (978) 657-7600 • Fax (978) 658-0595
 631 Airport Road, Fall River, MA 02720 • (508) 679-8131 • Fax (508) 674-4710

We reserve the right to change details of design, materials and finish.

www.lightolier.com © 2008 a Philips Group

Section 1A/Folio F60-50 Rev. A