
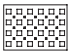



Complete Fixture consists of Lightshield and Backplate Assembly. Order each separately.

Lightshield Ordering Information

Cat. No.	Pattern/Description/Color
40871	 Rolled "Rain" pattern texture, Silk-screened White/Clear
40865	 Three Dimensional "Squares" White/Clear Silk-screened Pattern
40862	 "Ceramic White" Silk-screened and Sandblasted

Backplate Assembly Ordering Information

Cat. No.	Lamps	Finish
40828	2x60W T-10 Incandescent	Satin Brass
40829	2x60W T-10 Incandescent	Satin Nickel

Features

- Diffuser Holder:** Die-cast zinc alloy. Satin brass or satin nickel finish with clear lacquer.
- Diffuser Support Peg:** Turned brass. Satin brass or satin nickel finish with clear lacquer.
- Backplate:** 20 ga. (.036") Die-formed steel, gloss white finish.
- Socket:** Medium Base, Porcelain, Nickel Plate Screw Shell.
- Lamps:** T-10, Medium Base, by others.
- Diffuser:** 6mm thick (Max.) Glass. See chart above for options.
- Screw:** Nylon. 8-32. To secure Diffuser.

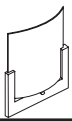
Labels

cUL listed suitable for damp locations.

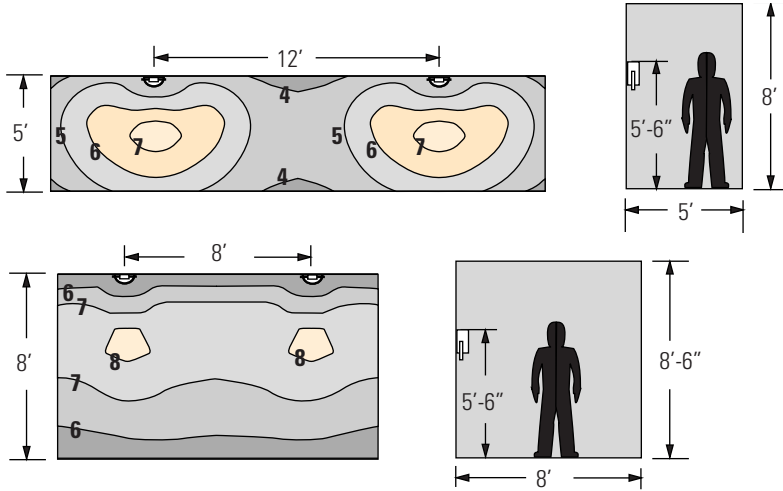
Job Information	Type:
Job Name:	
Cat. No.:	
Lamp(s):	
Notes:	

Lightolier a Genlyte Thomas Company www.lightolier.com
 631 Airport Road, Fall River, MA 02720 • (508) 679-8131 • Fax (508) 674-4710
 We reserve the right to change details of design, materials and finish.
 © 2003 Genlyte Thomas Group LLC (Lightolier Division) • B1003

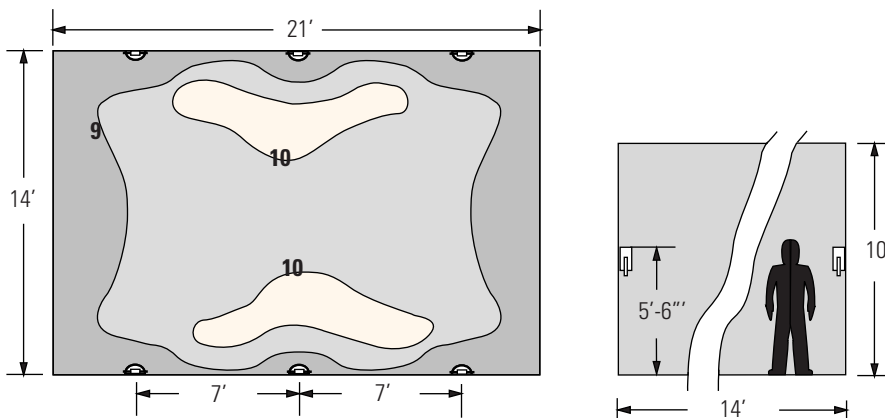
LIGHTOLIER®



Hallway / Footcandles



Vestibule / Conference Room / Footcandles



Reflectances

80% ceiling / 50% wall / 20% floor
Footcandles are on floor.

Multiplier Factors

Data shown is based on an "All White" lightshield. For colors use 0.8 multiplier

Job Information	Type:
------------------------	--------------

Lightolier a Genlyte Thomas Company www.lightolier.com
631 Airport Road, Fall River, MA 02720 • (508) 679-8131 • Fax (508) 674-4710
We reserve the right to change details of design, materials and finish.
© 2003 Genlyte Thomas Group LLC (Lightolier Division) • B1003

LIGHTOLIER®