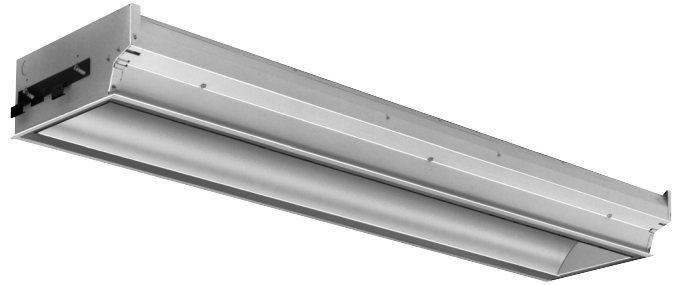
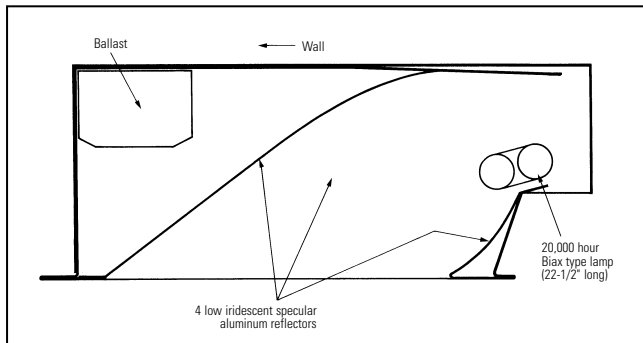


Features

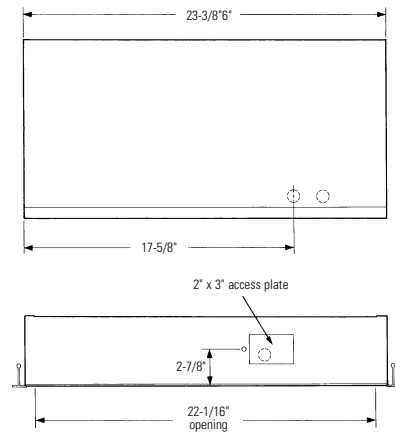
- Low iridescent specular reflective system for precise controlled light output.
- Evenly lights vertical surfaces or displays.
- 87% energy savings vs. incandescent.
- 3,150 lumen Biax type lamp requires fewer fixtures to provide the same wall illumination as a 150 watt incandescent wallwasher.
- 20,000 hours lamp life requires less maintenance than incandescent.
- Fits all lay-in grid ceiling systems.
- One-piece body and adjustable integral hanger for easy, quick installation.
- UL-Listed access plate.
- Meets NYC Code requirements.



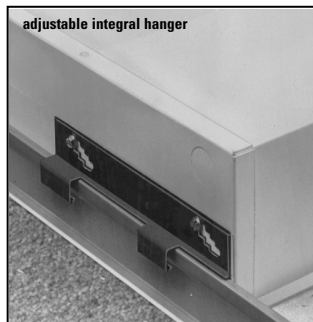
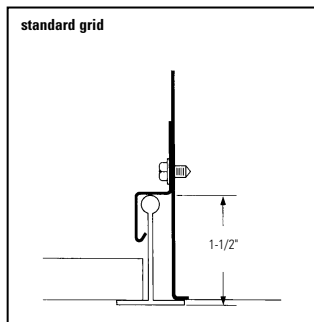
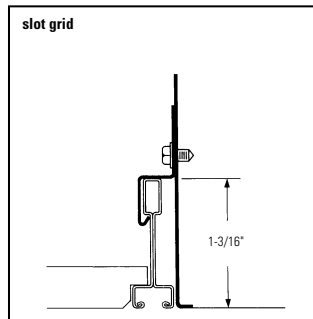
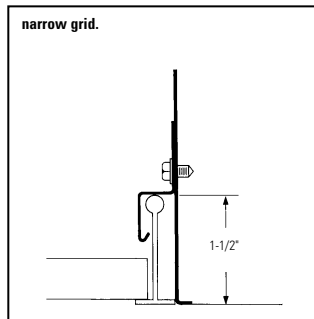
Features



Dimensions



Mounting Methods



Job Information	Type:
Job Name:	
Cat. No.:	
Lamp(s):	
Volts/Ballast:	

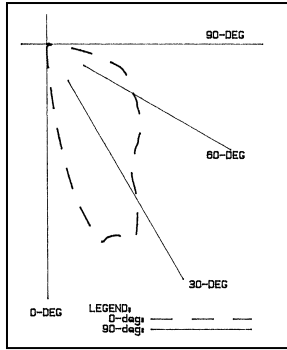
Lightolier a Genlyte Company www.lightolier.com
 Technical Information: (978) 657-7600 • Fax (978) 658-0595
 631 Airport Road, Fall River, MA 02720 • (508) 679-8131 • Fax (508) 674-4710
 We reserve the right to change details of design, materials and finish.
 © 2005 a Genlyte company **Section 5/Folio K10-12 Rev. A**



Wal-Lyter WLRN244120SB

High Performance, 4', Recessed Wallwasher/Accent Light Two Twin Tube T5 Lamps

Photometry



Model No. WLRN244120SB

LER = FP - 47.5 IW - 85 BF - 0.95
Comparative yearly lighting energy cost per 1000 lumens = \$5.05

coefficients of utilization — zonal cavity method

	20			20			20			
RF										
RC	80			50			30			
RW	70	50	30	50	30	10	50	30	10	
room cavity ratio	1	73	70	67	65	63	61	63	61	59
	2	66	61	56	57	53	50	55	52	49
	3	60	53	47	50	45	42	48	44	41
	4	55	47	40	44	39	35	42	38	35
	5	50	41	34	39	33	29	37	33	29
	6	46	36	30	34	29	25	33	28	25
	7	42	32	26	31	25	21	30	25	21
	8	38	29	22	27	22	18	26	21	18
	9	35	25	19	24	19	15	23	19	15
	10	32	23	17	22	17	13	21	16	13

FOOTCANDLES ON WALL Fixtures 3 feet from wall to outside trim on lamp side of fixture

Ceiling	INDIVIDUAL WAL-LYTER									MULTIPLE UNITS						
	0'	1'	2'	3'	4'	5'	6'	7'	8'	← 6' →						
8'	111.	101.	75.5	47.8	28.3	18.1	13.2	10.4	0.87	124.	119.	104.	95.4	104.	119.	124.
7'	113.	104.	81.7	55.7	35.5	23.5	16.6	12.5	0.9.8	130.	127.	117.	111.	117.	127.	130.
6'	86.4	81.0	66.9	49.8	34.8	24.6	17.7	13.4	10.4	104.	106.	102.	100.	102.	106.	104.
5'	62.5	59.1	51.4	41.6	31.9	24.3	18.4	13.9	16.7	81.1	83.5	83.2	83.2	83.2	83.4	81.1
4'	50.5	48.6	42.9	35.6	28.7	22.6	18.0	14.3	11.1	68.8	71.3	71.6	71.3	71.6	71.3	68.8
3'	39.7	38.5	34.9	30.0	25.1	20.6	16.9	14.1	11.4	56.8	59.2	60.0	59.9	60.0	59.2	56.8
2'	31.1	30.3	28.1	25.0	21.7	18.5	15.7	13.4	11.1	47.0	48.8	49.7	50.0	49.7	48.8	47.0
1'	24.2	23.6	22.5	20.8	18.7	16.5	14.6	12.8	11.0	38.8	40.2	41.1	41.5	41.1	40.2	38.8
Floor																

Ceiling	MULTIPLE UNITS									CONTINUOUS ROW								
	← 8' →									0'	1'	2'	3'	4'	5'	6'	7'	8'
8'	120.	111.	88.6	65.7	56.5	65.8	88.6	111.	120.	181.	182.	183.	183.	184.	183.	183.	182.	181.
7'	124.	117.	98.4	79.0	70.9	79.1	98.4	117.	124.	200.	201.	203.	203.	203.	203.	203.	201.	200.
6'	97.7	94.8	84.7	74.4	69.6	74.4	84.7	94.8	97.7	173.	175.	176.	177.	177.	177.	176.	175.	173.
5'	74.1	73.5	69.9	66.0	63.8	66.0	69.9	73.5	74.1	143.	146.	147.	148.	148.	148.	147.	146.	143.
4'	62.6	63.4	61.2	58.3	57.3	58.3	61.1	63.4	62.6	125.	128.	129.	130.	130.	130.	129.	128.	125.
3'	51.9	53.0	52.1	50.6	50.2	50.6	52.0	53.1	51.9	108.	110.	111.	112.	113.	112.	111.	110.	108.
2'	43.0	44.1	43.9	43.4	43.2	43.4	43.9	44.0	43.0	91.9	93.0	95.2	95.9	96.3	95.9	95.2	93.9	91.9
1'	35.7	36.6	37.0	37.2	37.2	37.2	37.0	36.6	35.7	78.7	80.3	81.4	82.1	82.5	82.0	81.4	80.3	78.7
Floor																		

Ordering Information

Explanation of Catalog Number. Example: WLRN244120SBGLR

WL Wal-Lyter: Low iridescent specular wallwash	R Recessed	N Reflector: N = Low iridescent specular aluminum standard K = Pattern 19 virgin acrylic lens installed at factory	2 Lamps	4 Length: 4=48"	Watts: 1=18 Watts 2=24 Watts 4=40 Watts 5=50 Watts 6=55 Watts	Voltage: 120 or 277	Ballast Type: <20THD BX* <10THD -	Options: Add appropriate suffix to catalog no. ie: (GLR)
---	----------------------	--	-------------------	------------------------------	---	-------------------------------	--	--

Options/Accessories

- Fusing:** Internal fast-blow fusing. Suffix: **GLR**.
Internal slow-blow fusing. Suffix: **GMF**.
- Lens:** .187, pattern 19 lens. Catalog Number: **WLRKIT-4 CSP** to be field installed.
- Radio Interference Filter:** To order one RIF per fixture, Suffix: **R**.
To order one RIF per ballast, Suffix: **B**.
- Electrical/Wiring Options:** Consult factory.
- Fluorescent Emergency Lighting System:** Factory-installed emergency power battery pack with charger and inverter. Suffix: **EM**.
- Drywall Frame:** Catalog Number: **WL4DF/UNV**.

Specifications

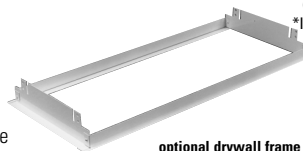
Materials: Chassis parts are die-formed 20 gauge cold rolled steel with integral adjustable hanger clamp. **Reflectors**—low iridescent specular aluminum are standard.

Finish: Chassis exterior—phosphate undercoating, baked white acrylic enamel. **Reflector**—low iridescent specular is standard.

Lens: Virgin acrylic .187 pattern 19 with square based male conical prisms (rotates for easy lamp replacement).

Electrical: Rapid start HPF, thermally protected class "P" ballast (Biax type). If K.O. is within 3" of ballast, use wire suitable for at least 90°.

Labels: I.B.E.W./UL and ULc Listed.



optional drywall frame WL4DF/UNV.

Job Information Type:

Lightolier a Genlyte Company www.lightolier.com
 Technical Information: (978) 657-7600 • Fax (978) 658-0595
 631 Airport Road, Fall River, MA 02720 • (508) 679-8131 • Fax (508) 674-4710
 We reserve the right to change details of design, materials and finish.
 © 2005 a Genlyte company **Section5/Folio K10-12 Rev. A**

LIGHTOLIER