

VR PARABOLIC VRA2G18LP332

Page 1 of 2

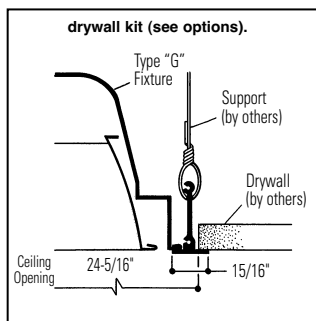
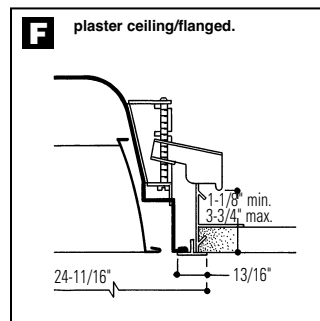
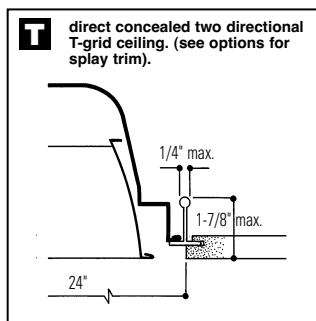
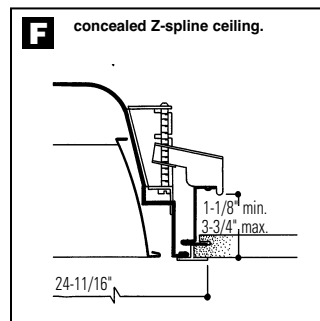
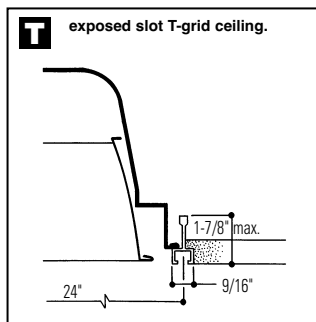
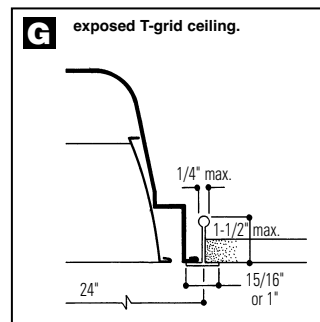
2'x4' RECESSED FLUORESCENT, 4" DEEP, 18 CELL (3x6) PARABOLIC LOUVER
 STATIC OR AIR SUPPLY/RETURN, IES RP1 FOR NORMAL VDT USE

Features

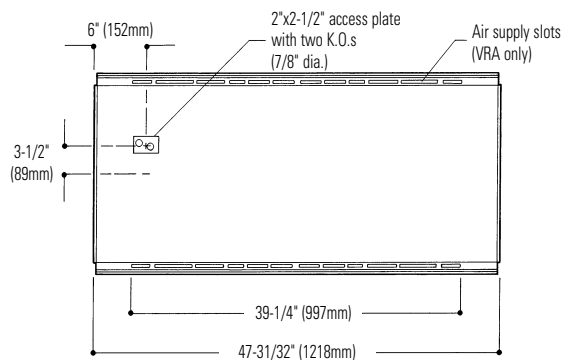
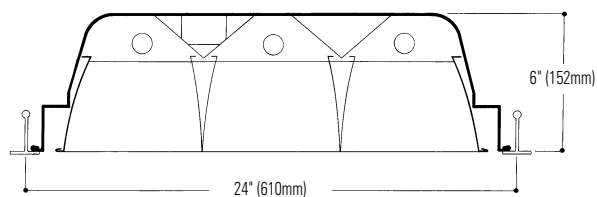
- Meets IES RP1 for lighting VDT areas with normal use.
- 64.5% efficient (T8).
- 1.4 spacing mounting ratio.
- Only 6" deep body.
- One-piece housing.
- Semi-specular low iridescence pre-anodized louver.
- Spring-loaded latches.
- Concealed "T" hinges.
- Louver frame with integral positive light stop.
- Earthquake clips included.
- Louver has protective film dust guard.
- Air closure strips (optional).
- UL-Listed twin knockout access plate.
- Construction to meet Chicago Plenum Code is available.



MOUNTING METHODS



DIMENSIONS



Job Information

Type:

Job Name:

Cat. No.:

Lamp(s):

Volts/Ballast:

Lightolier a Genlyte Thomas Company

www.lightolier.com

Technical Information: (978) 657-7600 • Fax (978) 658-0595
 631 Airport Road, Fall River, MA 02720 • (508) 679-8131 • Fax (508) 674-4710

We reserve the right to change details of design, materials and finish.

© 2002 Genlyte Thomas Group LLC (Lightolier Division)

A0902

SECTION 2/Folio G05-64 REV. A

LIGHTOLIER®



VR PARABOLIC VRA2G18LP332

2'x4' RECESSED FLUORESCENT, 4" DEEP, 18 CELL (3x6) PARABOLIC LOUVER STATIC OR AIR SUPPLY/RETURN, IES RP1 FOR NORMAL VDT USE

PHOTOMETRY

MODEL NO. VRA2G18LP332O3

LER = FP - 55.0 WATTS - 85 BF - 0.85

Comparative yearly lighting energy cost per 1000 lumens = \$4.36

coefficients of utilization — zonal cavity method (effective floor cavity reflectance 0.20)

	RF			RC			RW		
	20	50	80	20	50	80	20	50	80
room cavity ratio	72	67	63	66	65	63	64	62	61
1	72	67	63	66	65	63	64	62	61
2	67	64	60	60	58	56	58	56	54
3	63	58	54	55	52	49	53	51	48
4	58	52	48	50	46	44	49	46	43
5	54	48	43	46	42	39	45	41	38
6	51	44	39	42	38	35	41	37	35
7	47	40	35	38	34	31	38	34	31
8	44	37	32	35	31	28	35	31	28
9	42	34	29	33	29	26	32	28	26
10	39	31	27	30	26	24	30	26	24

visual comfort probability (rated lumens per lamp 3150.)

room size	ceiling height				ceiling height					
	W	L	8.5	10.0	13.0	16.0	8.5	10.0	13.0	16.0
20	20	90	86	79	79	98	96	97	93	
20	30	92	88	83	78	98	97	97	94	
20	40	92	89	86	81	98	97	97	94	
20	60	93	90	87	83	98	97	97	94	
30	20	90	86	84	82	98	97	97	92	
30	30	92	89	86	81	98	97	97	94	
30	40	93	90	88	83	98	97	97	94	
30	60	93	91	89	85	98	97	97	94	
30	80	93	91	90	86	98	97	97	94	
40	20	90	86	84	85	98	97	97	92	
40	30	93	90	86	84	98	97	97	93	
40	40	93	91	88	84	98	97	97	93	
40	60	94	91	90	86	98	97	97	94	
40	80	94	91	90	87	98	97	97	94	
40	100	94	91	90	88	98	97	97	94	
60	30	93	90	86	83	98	97	97	93	
60	40	93	91	89	84	98	97	97	93	
60	60	94	92	90	87	98	97	97	94	
60	80	94	92	90	88	98	97	97	94	
60	100	94	92	91	88	98	97	97	94	
100	40	93	91	89	84	98	97	97	94	
100	60	94	92	90	87	98	97	97	94	
100	80	94	92	91	88	98	97	97	95	
100	100	93	92	91	89	97	97	97	95	

ifl boulder
INDEPENDENT TESTING LABORATORIES, INC. • 3886 LONGHORN ROAD, BOULDER, CO 80502 USA • PHONE (303) 442-5274 FAX (303) 442-5274

REPORT NUMBER: ITL42563
PREPARED FOR: LIGHTOLIER
CATALOG NUMBER: VRA2G18LP332120SO3
LUMINAIRE: FABRICATED METAL HOUSING, WHITE PAINTED INTERIOR FINISH, FABRICATED SEMI-SPECULAR METAL PARABOLIC 18-CELL LOUVER.
LAMPS: THREE 32-WATT F32T8/TL70 FLUORESCENTS, EACH RATED 2850 LUMENS.
BALLAST: MOTOROLA M5-RH-T8-TL1-120
MOUNTING: RECESSED
TOTAL INPUT WATTS = 85.2 AT 120.0 VOLTS
LINKED TO CANDELA RATIO USED = 9.17
THE 0 DEGREE PLANE IS PARALLEL WITH THE LAMPS.

CANDELA DISTRIBUTION

ANGLE	0.0	22.5	45.0	67.5	90.0	FLUX
0	2532	2532	2532	2532	2532	244
5	2533	2537	2549	2553	2557	745
15	2420	2485	2618	2740	2808	1301
25	2218	2392	2816	3282	3432	1525
35	1950	2258	2816	2707	2363	1073
45	1594	1975	1534	923	801	522
55	971	1080	409	239	146	82
65	81	85	32	16	16	11
75	24	16	16	16	8	13
85	0	0	0	0	0	11
90	0	0	0	0	0	0

ZONAL LUMEN SUMMARY

ZONE	LUMENS	% LAMP	% FIXT
0-30	1289	26.8	41.5
0-40	3814	44.6	69.2
0-60	5410	63.3	98.1
0-90	5515	64.5	100.0
90-180	0	0.0	0.0
0-180	5515	64.5	100.0

TOTAL LUMINAIRE EFFICIENCY = 64.5 %
TOTAL REFLECTANCE OF PAINT = 90.1 %

CIE TYPE - DIRECT
PLANE : 0-DEG 90-DEG
SPACING CRITERIA : 1.2 1.4
SHIELDING ANGLES : 28 45
PLANE : 0-DEG 90-DEG
LUMINOUS LENGTH : 45.500 21.500

LUMINANCE DATA IN CANDELA/SQ M
ANGLE AVERAGE AVERAGE AVERAGE
IN DEG 0-DEG 45-DEG 90-DEG
45 3570. 3436. 1794.
55 2681. 1129. 403.
65 304. 120. 60.
75 147. 98. 49.
85 0. 0. 0.

Checked: *[Signature]*
Approved: *[Signature]*

ORDERING INFORMATION

Explanation of Catalog Number. Example: VRA2G18LP332120SOGLR

VR	2	18	P	3	V	32-T8	120 or 277	LE
VR: 4" Deep Pre-anodized Aluminum Louver For Normal VDT Use	BODY STYLE: A=Air Handling S=Static	CEILING TYPE: G=Grid (lay-in T bar) F=Flanged (overlap) Z spline and plaster frame T=Slot grid or two-directional concealed T (see options)	LOUVER FINISH*: L=Low Irrescence Semi-specular (standard) P=Low Irrescence Specular	DUAL "V" REFLECTOR	LAMP QUANTITY	LAMP TYPE/ FIXTURE LENGTH: 32-T8 34-T12	VOLTAGE: 120 or 277	OPTIONS: Add appropriate suffix to catalog no. ie: (GLR)
	FIXTURE WIDTH	NUMBER OF CELLS: (3 rows of 6 cells)						BALLAST TYPE: LE <20THD SO* HI* O3* H3* PS -

OPTIONS & ACCESSORIES

- PLASTER FRAME:** Catalog Number: PF24.
- CONTINUOUS ROW INSTALLATION:** For F type fixtures, half-width flanges are required between fixtures, Order Catalog Number: S2FCTRIM (each joint).
- SPLAY TRIM:** For T ceiling type only. SUFFIX: CTZ24 S2 SPLAY TRIM.
- RADIO INTERFERENCE FILTER:** 120 or 277 volt, 50 or 60 Hz. One per fixture standard. SUFFIX: RF.
- ELECTRICAL WIRING OPTIONS:** Consult factory.
- AIR CLOSURE STRIP:** SUFFIX ACS4 (factory installed).
- DRYWALL KIT:** Order Catalog Number: FK92X4. Request Folio OA30-10.
- CHICAGO PLENUM:** SUFFIX: CP.

SPECIFICATIONS

PERFORMANCE: In an installation of 3 lamp 32W luminaires in a room cavity ratio of 1, reflectance 80% ceiling, 50% wall, 20% floor, the C.U. shall not be less than .70 with a spacing to mounting ratio of 1.4 perpendicular to the lamps. To meet IES RP1 recommended (basic) requirements for VDT areas the VCP (visual comfort probability) shall not be less than 94 either crosswise or lengthwise and the maximum average brightness at 65°, 75° and 85° shall not exceed 304, 147, and 0 candelas per square meter respectively in the 0°, 45°, and 90° horizontal planes.

SPECIFICATIONS (continued)

- AIR HANDLING:** (VRA only) side air passages for air supply or air return. Optional side closure strips. Air return is also provided through the lamp compartment through fixture body ends.
- MATERIALS:** Chassis parts are die-formed embossed cold rolled steel.
- Housing** side rails hemmed over and housing ends turned-in for safe handling.
- LOUVER:** Pre-anodized aluminum (Coilzak® or equal).
- FINISH:** Chassis exterior—black baked polyester enamel. Cavity—white baked polyester enamel minimum 86% reflectance. Phosphate undercoating.
- Louver**—low iridescence semi-specular anodized vertical grain aluminum reflector sheet is standard.
- ELECTRICAL:** Thermally protected class "P" ballast C.B.M. approved, non PCB. If K.O. is within 3" of ballast, use wire suitable for at least 90°.
- LABELS:** I.B.E.W./UL and C-UL.

Job Information Type:

Lightolier a Genlyte Thomas Company www.lightolier.com
Technical Information: (978) 657-7600 • Fax (978) 658-0595
631 Airport Road, Fall River, MA 02720 • (508) 679-8131 • Fax (508) 674-4710
We reserve the right to change details of design, materials and finish.
© 2002 Genlyte Thomas Group LLC (Lightolier Division)
SECTION 2/Folio G05-64 REV. A
A0902

LIGHTOLIER