

VP PARABOLIC VPA1G12PR132

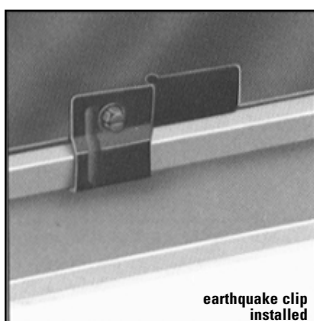
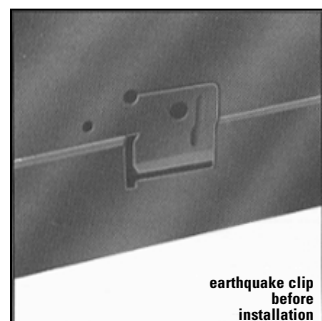
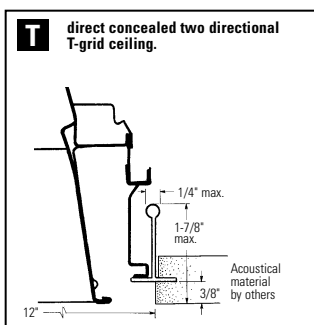
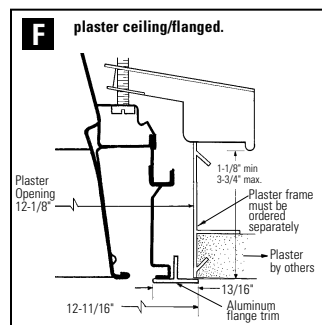
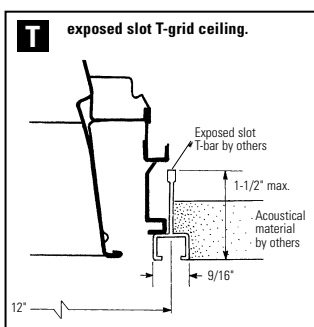
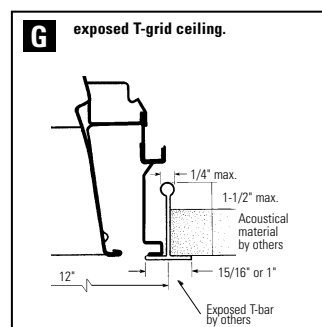
1'x4' RECESSED FLUORESCENT, 3" DEEP, 12 CELL (1 ROW) PARABOLIC LOUVER
 STATIC OR AIR SUPPLY/RETURN, IES RP1 FOR INTENSE VDT USE (PREFERRED)

Features

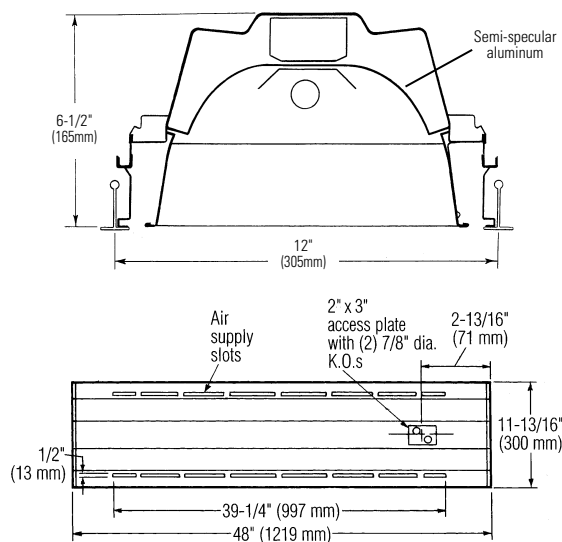
- Meets IES RP1 for lighting VDT areas with intense use.
- 72.0% efficient (T8).
- 1.6 spacing mounting ratio.
- Specular, low iridescence, pre-anodized aluminum louver.
- Vertical grain on louver eliminates reflected lamp image on cross baffle.
- Louver frame with positive light stop.
- Spring loaded latches (self centering).
- Reversible louver hinging.
- Louver has protective dust guard.
- Only 6-5/8" deep body.
- Black housing exterior for cooler ballast operating temperature.
- Turned-in edges for safe handling.
- Built-in earthquake clip (pat. no. 5,072,344).
- UL-Listed twin knockout access plate.
- Air closure strips (optional).
- Construction to meet NYC Code or Chicago Plenum is available.



MOUNTING METHODS



DIMENSIONS



Job Information

Type:

Job Name:

Cat. No.:

Lamp(s):

Volts/Ballast:

Lightolier a Genlyte Thomas Company

www.lightolier.com

Technical Information: (978) 657-7600 • Fax (978) 658-0595

631 Airport Road, Fall River, MA 02720 • (508) 679-8131 • Fax (508) 674-4710

We reserve the right to change details of design, materials and finish.

© 2002 Genlyte Thomas Group LLC (Lightolier Division)

A0902

SECTION 2/Folio G05-10 REV. A

LIGHTOLIER®



VP PARABOLIC VPA1G12PR132

1'x4' RECESSED FLUORESCENT, 3" DEEP, 12 CELL (1 ROW) PARABOLIC LOUVER STATIC OR AIR SUPPLY/RETURN, IES RP1 FOR INTENSE VDT USE (PREFERRED)

PHOTOMETRY

MODEL NO. VPA1G12PR132120S0

LER = FP - 59.4 IW - 30.4 BF - 0.88
Comparative yearly lighting energy cost per 1000 lumens = \$4.04

LTL LUMINAIRE TESTING LABORATORY
905 Harrison Street • Allentown, PA 18103 • (610) 770-1044 • Fax (610) 770-8912

LTL NUMBER: 03011 DATE: 6-17-1996
PREPARED FOR: LIGHTOLIER INC.
CATALOG NUMBER: VPA1G12PR132
LUMINAIRE: FORMED STEEL HOUSING, FORMED SEMI-SPECULAR ALUMINUM REFLECTOR WITH SPECULAR MYLAR INSERT, SPECULAR ALUMINUM PARABOLIC 12-CELL LOUVER
BALLAST: MOTOROLA M1-RH-T8-111-120
LAMPS: ONE PHILIPS F32T8/TL741 RATED AT 2850 LUMENS.
MOUNTING: RECESSED
LUMEN TO CANDELA RATIO USED = 9.18
TOTAL INPUT WATTS = 30.4 AT 120.0 VOLTS
THE 0 DEGREE PLANE IS PARALLEL WITH THE LAMPS.

#03011

CANDELA DISTRIBUTION		FLUX	
0	0.0	22.5	45.0
0	967	967	967
5	966	971	974
15	926	948	994
25	814	883	1087
35	659	838	1171
45	478	678	676
55	65	124	108
65	0	0	6
75	0	0	0
85	0	0	0
90	0	0	0

ZONAL LUMEN SUMMARY

ZONE	LUMENS	%LAMP	%FIXT
0-30	880	30.9	42.9
0-40	1533	53.8	74.8
0-60	2040	71.6	92.5
0-90	2051	72.0	100.0
90-180	0	0.0	0.0
0-180	2051	72.0	100.0

TOTAL LUMINAIRE EFFICIENCY: 72.0%

CIE TYPE: DIRECT
PLANE: 0-DEG 9C DEG
SPACING CRITERIA: 1.1 1.6
SHIELDING ANGLE: 36 40
LUMINOUS LENGTH: 46.250 9.500

LUMINANCE IN CANDELA PER SQUARE METER

ANGLE	AVERAGE	AVERAGE
0	3411.	3411.
45	2385.	3372.
55	400.	664.
65	0.	50.
75	0.	0.
85	0.	0.

TESTED BY: BILL GRATHER
CHECKED BY: MIKE GRATHER

THIS REPORT BASED ON LM-41 AND OTHER PERTINENT IES PROCEDURES.

coefficients of utilization — zonal cavity method

RF	20			50			20		
RC	80			50			30		
RW	70	50	30	50	30	10	50	30	10
1	81	79	77	74	73	72	72	71	70
2	77	73	70	69	67	65	67	65	63
3	72	67	63	64	61	58	62	59	57
4	67	61	57	59	55	52	57	54	52
5	63	56	51	54	50	47	53	49	46
6	59	52	47	50	46	42	49	45	42
7	55	47	42	45	41	38	45	41	38
8	51	43	37	41	37	34	40	36	33
9	47	38	33	37	33	30	36	32	29
10	43	35	30	34	29	26	33	29	26

visual comfort probability

room size		ceiling height				ceiling height			
W	L	8.5	10.0	13.0	16.0	8.5	10.0	13.0	16.0
20	20	93	93	92	82	97	96	95	90
20	30	93	93	92	82	97	96	96	91
20	40	93	93	92	82	97	96	96	92
20	60	93	93	92	83	97	96	96	92
30	20	93	93	93	85	97	96	96	91
30	30	93	93	93	85	97	96	96	92
30	40	93	94	92	85	97	96	96	92
30	60	93	94	93	86	98	96	96	92
30	80	93	94	93	86	98	96	96	92
40	20	93	93	93	86	97	96	96	91
40	30	93	94	92	87	97	96	96	92
40	40	93	94	93	87	98	96	96	92
40	60	93	94	93	87	98	96	96	92
40	80	94	94	93	87	98	96	96	92
40	100	94	94	93	87	98	96	96	92
60	30	93	94	93	87	97	96	96	92
60	40	93	94	93	87	98	96	96	92
60	60	94	94	93	87	98	96	96	92
60	80	94	94	93	87	98	96	96	92
60	100	94	94	93	87	98	96	96	92
100	40	94	94	93	87	98	96	96	92
100	60	94	94	93	87	98	96	96	92
100	80	94	94	93	87	98	96	96	92
100	100	94	94	93	87	98	96	96	92

ORDERING INFORMATION

Explanation of Catalog Number. Example: VPA1G12PR132120S0GLR

BLANK	VP	1	12	P	R	1				
Standard N = NYC Code	3" Deep Pre-anodized Aluminum Louver for intense VDT use	Fixture Width	Number of Cells: 1 row of 12 cells	Low Iridescence Specular	Reflector: R=Specular 95% Reflective	Lamp Quantity	Lamp/ Fixture Length: 32=18 34=12 (Nominal 48")	Voltage: 120 or 277	Ballast Type: LE T12 SO* PS	Options: Add appropriate suffix to catalog no. ie: (GLR)

Options: LE <20THD, HI* <10THD, SO*, PS

*Instant Start Standard
Other dimming options, consult factory.

OPTIONS & ACCESSORIES

- ACCESS PLATE:** Top Wiring access plate is shipped with fixture as standard. When access plates are required in advance for wiring convenience, specify separately. Order Catalog Number: **ACP CSP**.
- ELECTRICAL WIRING OPTIONS:** Consult factory.
- FUSING:** Internal fast-blow fusing. SUFFIX: **GLR**. Internal slow-blow fusing. SUFFIX: **GMF**.
- RADIO INTERFERENCE FILTER:** 120 or 277 volt, 50 or 60 Hz. One per fixture standard. SUFFIX: **RF**.
- CONTINUOUS ROW INSTALLATION:** For F type fixtures, half-width flanges are required between fixtures. Order Catalog Number: **1FCTRIM** (each joint).
- SPLAY TRIM:** For T ceiling type only. SUFFIX: **CTZ12 S2 SPLAY TRIM**.
- AIR CLOSURE STRIPS:** SUFFIX **ACS4** (factory installed).
- DRYWALL KIT:** Order Catalog Number: **FK91X4**. Request Folio OA30-10.
- CHICAGO PLENUM:** SUFFIX: **CP**.

SPECIFICATIONS

PERFORMANCE: In an installation of 1 lamp 32W luminaires in a room cavity ratio of 1, reflectance 80% ceiling, 50% wall, 20% floor, the C.U. shall not be less than .79 with a spacing to mounting ratio of 1.6 perpendicular to the lamps. To meet IES RP-1 preferred for VDT areas the VCP (visual comfort probability) shall not be less than 94 either crosswise or lengthwise, and the maximum average

brightness at 55°, 65°, 75° and 85° shall not exceed 664, 109, 0, and 0 candelas per square meter respectively in the 0°, 45° and 90° horizontal planes. Candelas at nadir (0°) not to exceed 967.

AIR HANDLING: (VPA only) side air passages for air supply or air return. Optional side closure strips. Air return is also provided through the lamp compartment through fixture body ends.

MATERIALS: Chassis parts are die-formed embossed cold rolled steel. Housing is embossed for rigidity with all edges turned-in for safe handling. LOUVER: Pre-anodized aluminum (Coilzak® or equal). FINISH: Louver—specular low iridescence pre-anodized reflector sheet. REFLECTOR: Low-iridescence, semi-specular with low iridescence specular center section. Chassis exterior—black baked polyester enamel. ELECTRICAL: Thermally protected class "P" ballast C.B.M. approved, non PCB. If K.O. is within 3" of ballast, use wire suitable for at least 90°.

LABELS: I.B.E.W./UL and C-UL.

Job Information Type:

Lightolier a Genlyte Thomas Company www.lightolier.com
Technical Information: (978) 657-7600 • Fax (978) 658-0595
631 Airport Road, Fall River, MA 02720 • (508) 679-8131 • Fax (508) 674-4710
We reserve the right to change details of design, materials and finish.
© 2002 Genlyte Thomas Group LLC (Lightolier Division)
A0902 SECTION 2/Folio G05-10 REV. A

LIGHTOLIER®