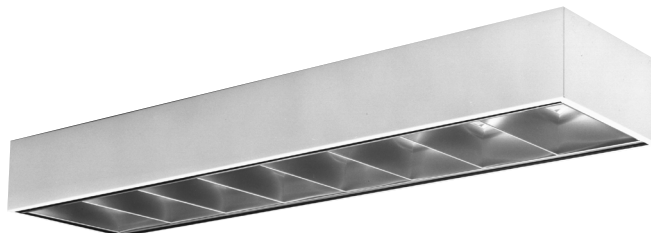


VISION SMART PARABOLIC (VRB) **VRB SERIES 1'x4'**

Features

- 1 lamp 8 or 12 cell, 2 lamp 16 or 24 cell meet IES RP1 for lighting VDT areas with normal use.
- Only 5-1/2" deep body.
- Efficiency 66% (1 lamp 8 cell).
- 1.9 spacing mounting ratio.
- Welded 20 gauge steel body.
- 45° mitered corners (body).
- 3" deep cell aluminum parabolic louver.
- Spring-loaded latches.
- Reversible louver hinge.
- Door jamb with integral positive light stop.
- Flush end K.O.s for smooth appearance (at end of row or individual).
- Matches Vision Smart 1'x4' recessed.
- Low-iridescence, semi-specular aluminum louver, standard.
- Vertical grain on louver eliminates reflected lamp images on cross baffle.
- Louver has polyethylene dust guard.
- Meets NYC Code requirements.



LOUVER CONFIGURATIONS



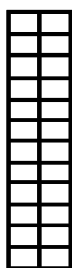
8 Cell



12 Cell

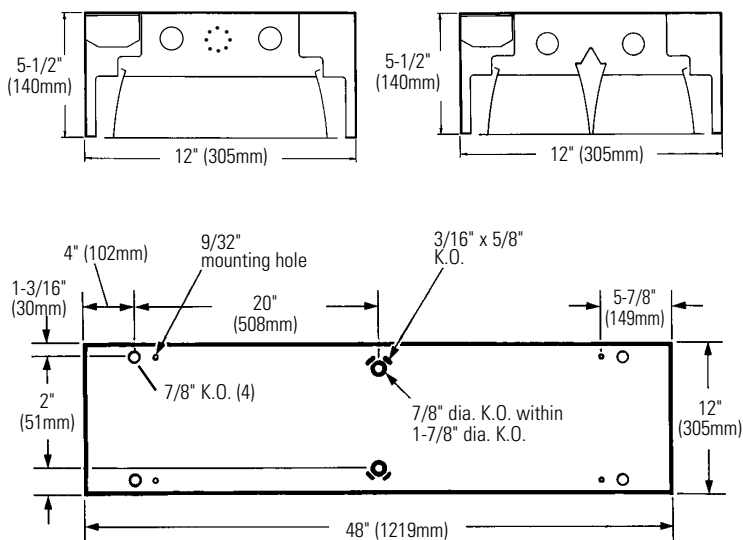


16 Cell



24 Cell

DIMENSIONS



Job Information

Type:

Job Name:

Cat. No.:

Lamp(s):

Volts/Ballast:

Lightolier a Genlyte Thomas Company

www.lightolier.com

Technical Information: (978) 657-7600 • Fax (978) 658-0595

631 Airport Road, Fall River, MA 02720 • (508) 679-8131 • Fax (508) 674-4710

We reserve the right to change details of design, materials and finish.

© 2002 Genlyte Thomas Group LLC (Lightolier Division)

A0902

SECTION 2/Folio G05-72 REV. A

LIGHTOLIER



VISION SMART PARABOLIC (VRB) VRB SERIES 1'x4'

1'x4' SURFACE BOX FLUORESCENT, 3" DEEP PARABOLIC LOUVER IES RP1 FOR NORMAL VDT USE, 1 OR 2 LAMP T8, T12

PHOTOMETRY

MODEL NO. VRB1S8LS132120SO

LER = FP - 25.9 IW - 63.8 BF - 0.88
Comparative yearly lighting energy cost per 1000 lumens = \$9.26

GT TESTING LABORATORY
45 Industrial Way
Wilmington, MA 01887
(978) 657-7600

REPORT NO.: G98014 DATE: 02/20/98
CATALOG NO.: VRB1S8LS132120SO
LAMP(S): 1 F2T8, RATED 2850 LUMENS.
LUMINAIRE: 1X4 SURFACE BOX, 8 CELL SEMI-SPECULAR LOUVER.
REL1P32-RH-TP ADVANCE BALLAST, 31W

CANDELA DISTRIBUTION		FLUX							
0.0	22.5	45.0	67.5	90.0					
0	671	671	671	671	671				
5	665	672	675	680	683	65			
15	635	657	689	720	732	195			
25	576	623	704	767	787	321			
35	492	575	702	846	914	443			
45	385	506	680	803	828	492			
55	238	346	409	277	245	288			
65	25	52	71	65	56	67			
75	7	8	8	7	6	8			
85	2	2	2	1	1	2			
90	0	0	0	0	0	0			

ZONAL LUMEN SUMMARY

ZONE	LUMENS	%LAMP	%FIXT
0-30	580	20.4	30.9
0-40	1023	35.9	54.4
0-60	1804	63.3	95.9
0-90	1881	66.0	100.0
90-180	0	0.0	0.0
0-180	1881	66.0	100.0

TOTAL LUMINAIRE EFFICIENCY = 66.0 %
TOTAL REFLECTANCE OF PAINT = 89.0 %
CIE TYPE - DIRECT
PLANE : 0-DEG 90-DEG
SPACING CRITERIA : 1.2 1.9
SHIELDING ANGLES : 65 65
PLANE : 0-DEG 90-DEG
LUMINOUS LENGTH : 46.250 9.500

LUMINANCE DATA IN CANDELA/SQ M

ANGLE	AVERAGE	AVERAGE
0-DEG	45-DEG	90-DEG
45	1920	4129
55	1463	2515
65	209	592
75	95	109
85	81	81

THIS REPORT IS BASED ON PUBLISHED INDUSTRY PROCEDURES • FIELD PERFORMANCE MAY DIFFER FROM LABORATORY PERFORMANCE

coefficients of utilization — zonal cavity method

RF	20			20			20		
RC	80			50			30		
RW	70	50	30	50	30	10	50	30	10
1	73	71	69	67	65	64	64	63	62
2	68	64	60	60	57	55	58	56	54
3	63	57	52	54	50	47	52	49	47
4	58	51	46	48	44	41	47	43	41
5	53	46	40	44	39	36	42	39	36
6	49	41	36	40	35	32	38	34	31
7	46	37	32	36	31	28	35	31	28
8	42	34	29	33	28	25	32	28	25
9	40	31	26	30	26	22	29	25	22
10	37	29	24	28	23	20	27	23	20

visual comfort probability

room size		ceiling height				ceiling height			
W	L	8.5	10.0	13.0	16.0	8.5	10.0	13.0	16.0
20	20	90	87	82	86	88	85	80	78
20	30	91	89	86	84	90	87	82	78
20	40	92	90	88	86	90	88	85	80
20	60	93	91	89	88	90	88	86	83
30	20	91	89	84	84	88	88	82	79
30	30	92	91	87	82	90	90	84	78
30	40	93	92	89	84	90	90	86	80
30	60	94	93	90	86	90	90	87	83
40	20	91	89	85	85	88	88	84	80
40	30	93	91	88	83	90	90	86	80
40	40	94	92	89	85	90	90	88	82
40	60	94	93	91	87	90	90	88	84
40	80	94	92	91	87	90	90	88	84
40	100	94	92	91	87	90	90	88	84
60	30	93	91	88	85	90	90	86	81
60	40	93	92	90	87	90	90	88	83
60	60	94	93	91	88	90	90	88	85
60	80	94	93	91	88	91	90	88	85
60	100	94	93	91	88	91	90	88	85
100	40	93	92	90	87	90	90	88	83
100	60	94	93	91	88	91	90	88	85
100	80	94	93	91	89	91	90	88	85
100	100	94	93	91	89	91	90	88	86

ORDERING INFORMATION

Explanation of Catalog Number. Example: VRB1S8LS132120SOGLR

VR VR 3" Deep Pre-anodized Aluminum Louver	B BODY STYLE: Surface Box	1 FIXTURE WIDTH:	S CELLING TYPE: S=Surface	8 NUMBER OF CELLS: 8= 1 row of 8 cells 12= 1 row of 12 cells 16= 2 rows of 8 cells 24= 2 rows of 12 cells	L LOUVER FINISH: L= Low-iridescence Semi-specular P= Low-iridescence Specular	S WHITE REFLECTOR	LAMP/ FIXTURE LENGTH: 32-T8 34-T12 (Nominal 48")	VOLTAGE: 120 or 277	BALLAST TYPE: LE 1 or 2 Lamp Mag. T12 1 or 2 Lamp Elec. T8 LOL Dimming T8 *Instant Start Standard Other dimming options, consult factory.	OPTIONS: Add appropriate suffix to cat- alog no., ie: (GLR) LE <20THD SO* PS HI* -
--	--	-------------------------------	---	--	---	--------------------------------	---	--------------------------------	--	---

OPTIONS & ACCESSORIES

FUSING: Internal fast-blow fusing.
SUFFIX: **GLR**.
Internal slow-blow fusing.
SUFFIX: **GMF**.

RADIO INTERFERENCE FILTER: 120 or 277 volt, 50 or 60 Hz.
One per fixture. SUFFIX: **RF**.

ELECTRICAL/WIRING OPTIONS: Consult factory.

STEM AND CANOPY SETS: Suspends fixture 6", 12", 18" or 24" from surface.
(Four per fixture is required). Catalog Number: **ASC6 CSP (6")**, **ASC18 CSP (12")**, **ASC18 CSP (18")**, **ASC24 CSP (24")**.

SPECIFICATIONS

PERFORMANCE: In an installation of 1 lamp 32W luminaires in a room cavity ratio of 1, reflectance 80% ceiling, 50% wall, 20% floor, the C.U. shall not be less than .71 with a spacing to mounting ratio of 1.9 perpendicular to the lamp. To meet IES RP-1 recommended (basic) requirements for VDT areas the VCP (visual comfort probability) shall not be less than 90 either crosswise or lengthwise and the maximum average brightness at 65°, 75° and 85° shall not exceed 592, 109 and 81 candelas per square meter respectively in the 0°, 45° and 90° horizontal planes. Candelas at Nadir (0°) not to exceed 671.

SPECIFICATIONS (continued)

MATERIALS: Chassis parts are die-formed 20 gauge cold rolled steel with 45° mitered corners welded and turned in edges for safe handling.

LOUVER: Pre-anodized aluminum (Coilzak® or equal).

FINISH: Louver—semi-specular low iridescence, pre-anodized reflector sheet. Cavity—white baked acrylic minimum reflectance 86%, Phosphate undercoating. Chassis exterior—white baked acrylic enamel.

ELECTRICAL: Thermally protected class "P" ballast C.B.M. approved, non PCB. If K.O. is within 3" of ballast, use wire suitable for at least 90°.

LABELS: I.B.E.W./UL and C-UL listed.

Job Information	Type:
-----------------	-------

Lightolier a Genlyte Thomas Company www.lightolier.com
Technical Information: (978) 657-7600 • Fax (978) 658-0595
631 Airport Road, Fall River, MA 02720 • (508) 679-8131 • Fax (508) 674-4710
We reserve the right to change details of design, materials and finish.
© 2002 Genlyte Thomas Group LLC (Lightolier Division)
SECTION 2/Folio G05-72 REV. A
A0902

