

Vanity Light VL Series

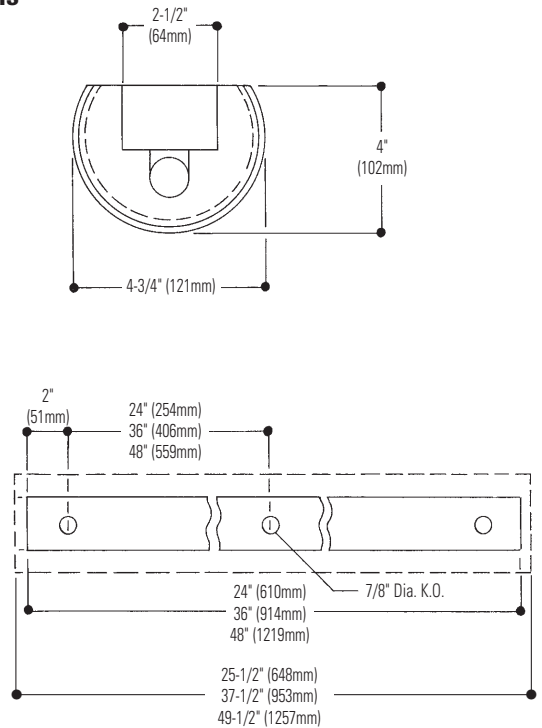
- Can be horizontally or vertically mounted.
- 4-3/4" diameters opal white acrylic lens.
- Positive stainless steel lens retainers.
- Permanently installed milk white opaque diffuser ends with decorative trim.
- Efficiency 76.6% (T8).
- Quarter turn latch secures channel cover for easy wireway access.
- Heavy duty channel of code gauge die formed steel.
- Fully enclosed wireway.
- UL Listed snap-on end caps (body).
- Green grounding screw installed in channel.



Features



Dimensions



Job Information

Type:

Job Name:

Cat. No.:

Lamp(s):

Volts/Ballast:

Lightolier a Genlyte company

www.lightolier.com

Technical Information: (978) 657-7600 • Fax (978) 658-0595

631 Airport Road, Fall River, MA 02720 • (508) 679-8131 • Fax (508) 674-4710

We reserve the right to change details of design, materials and finish.

© 2005 a Genlyte company

Section 4/Folio 150-10

Chassis

Model No. SN4S132HPFUNVHI
with shielding VLW4X48

LER = FP - 68.2 IW - 29.6 BF - 0.92
Comparative yearly lighting energy cost per
1000 lumens = \$3.52

Report Number: G2005214
Lamp: F32/T8 TL841
Luminaire: 4" Vanity Light, with 4-3/4" wide
milk white acrylic lens
Ballast: 1X32/T8
Report is based on 2850 Lumens per lamp.
Efficiency: 76.6%
CIE Type-Direct-Indirect
Plane: 0-Deg 90-Deg
Spacing Criteria: 1.2 1.4
Shielding Angles: 90 90

CANDELA DISTRIBUTION

	0.0	45.0	90.0	FLUX
0	475	475	475	
5	470	474	478	45
15	452	459	467	130
25	418	432	446	200
35	370	394	418	247
45	310	349	385	269
55	239	299	347	265
65	160	246	307	238
75	78	196	265	196
85	13	151	224	151
90	4	132	204	
95	4	118	188	119
105	6	91	153	92
115	18	73	122	71
125	24	61	97	53
135	28	49	77	40
145	36	37	55	27
155	44	55	42	21
165	51	35	54	12
175	55	35	39	4
180	53	53	53	

COEFFICIENTS OF UTILIZATION - ZONAL CAVITY METHOD. EFFECTIVE FLOOR CAVITY REFLECTANCE 0.20

RC	80	50	30	10	50	30	10
1	78	73	69	64	61	58	56
2	70	63	57	55	50	46	46
3	63	54	48	47	42	38	39
4	58	48	41	42	36	32	34
5	53	42	35	37	32	27	29
6	49	38	31	33	28	24	26
7	45	34	27	30	25	21	23
8	42	31	25	28	22	18	21
9	39	28	22	25	20	16	19
10	36	26	20	23	18	15	17

ZONAL LUMEN SUMMARY

ZONE	LUMENS	% LAMP	% FIXT
0- 30	375	13.2	17.2
0- 40	622	21.8	28.5
0- 60	1157	40.6	53.0
0- 90	1743	61.2	79.9
90-120	282	9.9	12.9
90-130	335	11.7	15.3
90-150	403	14.1	18.4
90-180	440	15.4	20.1
0-180	2183	76.6	100.0

LUMINANCE DATA IN CANDELA/SQ. METER

AVERAGE IN DEG.	AVERAGE 0-DEG.	AVERAGE 45-DEG.	AVERAGE 90-DEG.
45	2586.	2180.	1922.
55	2382.	2035.	1793.
65	2058.	1903.	1697.
75	1478.	1819.	1629.
85	496.	1822.	1605.

Ordering Information

NOTE: Chassis and shielding are packed in separate cartons. When ordering, enter as separate line items.

Length	Shielding	Chassis	Lamp	Ballast	20THD	10THD
2'	VLW4X24	SN2S117HPFUNVHI	1-T8	1 Lamp Elec. T8	—	HI
3'	VLW4X36	SN3S125HPFUNVHI	1-T8	1 Lamp Elec. T8	—	HI
4'	VLW4X48	SN4S132HPFUNVHI	1-T8	1 Lamp Elec. T8	—	HI

NOTE: Chassis and shielding shown are stock items. For other ballast options see Folio **H110-40**.

NOTE: UNV =120-277.

Specifications

Materials: Chassis parts are die-formed heavy gauge cold rolled steel, 1-13/16" deep, 2-1/2" wide.

Ballast Cover: Code gauge steel secured with 1/4 turn fasteners, for easy wireway access.

Finish: Chassis exterior—exterior phosphate undercoating, baked white polyester enamel.

Lens: 4-3/4" diameter opal white acrylic with permanently installed opal white opaque diffuser ends with decorative trim..

Electrical: Thermally protected class "P" ballast, non PCB. If K.O. is within 3" of ballast, use wire suitable for at least 90°.

Labels: I.B.E.W./UL and ULc Listed.

Job Information

Type:

Lightolier a Genlyte company

www.lightolier.com

Technical Information: (978) 657-7600 • Fax (978) 658-0595

631 Airport Road, Fall River, MA 02720 • (508) 679-8131 • Fax (508) 674-4710

We reserve the right to change details of design, materials and finish.

© 2005 a Genlyte company

A0902

Section 4/Folio I50-10