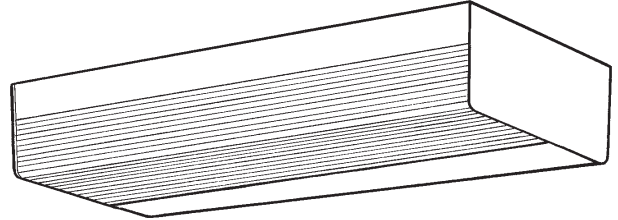


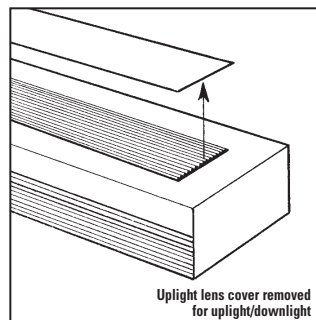
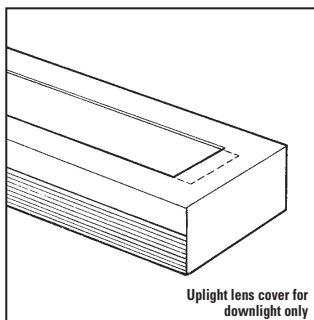
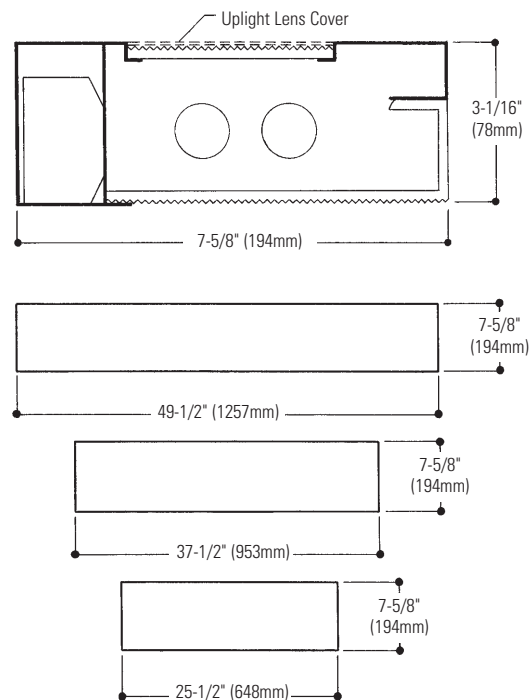
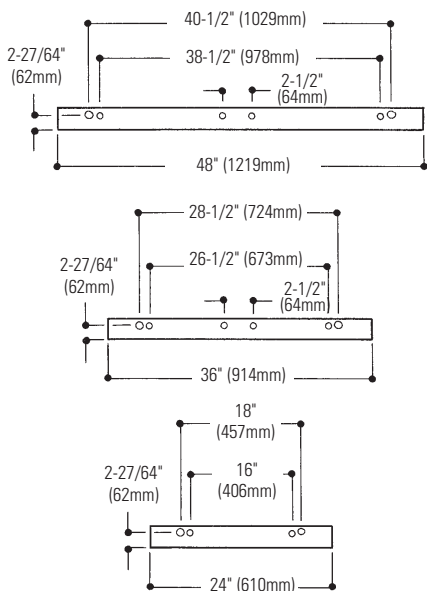
Universal Wall **LWBU Series**

Features

- Universal luminaire that has uplight/downlight or downlight only capabilities on the same fixture
- Low brightness controlled uplighting/downlighting
- Low brightness linear prismatic virgin acrylic refractor
- Slim 3-1/16" depth
- Nominal 2', 3' and 4' lengths
- 65.2% efficient (T8 lamps, uplight/downlight)
- 62.4% efficient (T8 lamps, downlight only)
- Invisible steel latches align refractor to housing
- Individual or continuous rows
- For over mirror, over bed, corridor, stairwell and bulletin board applications



Dimensions



Job Information	Type:
Job Name:	
Cat. No.:	
Lamp(s):	
Volts/Ballast:	

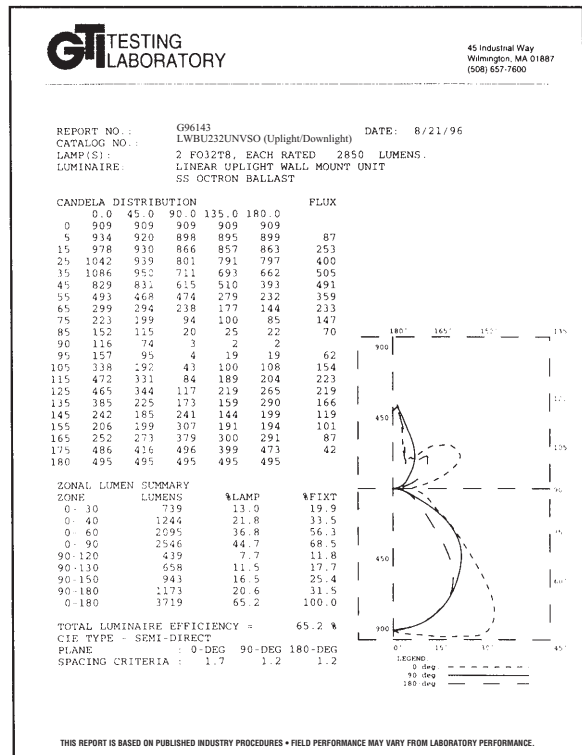
Lightolier a Genlyte Thomas Company www.lightolier.com
 Technical Information: (978) 657-7600 • Fax (978) 658-0595
 631 Airport Road, Fall River, MA 02720 • (508) 679-8131 • Fax (508) 674-4710
 We reserve the right to change details of design, materials and finish.
 Copyright 2004 Lightolier **Section 4A/Folio I20-18**

Universal Wall **LWBU** Series

Wall Mounted Fluorescent, 7-5/8" Width, 24", 36", 48" Lengths
Uplight/Downlight or Downlight Only, 1 or 2 Lamp T8

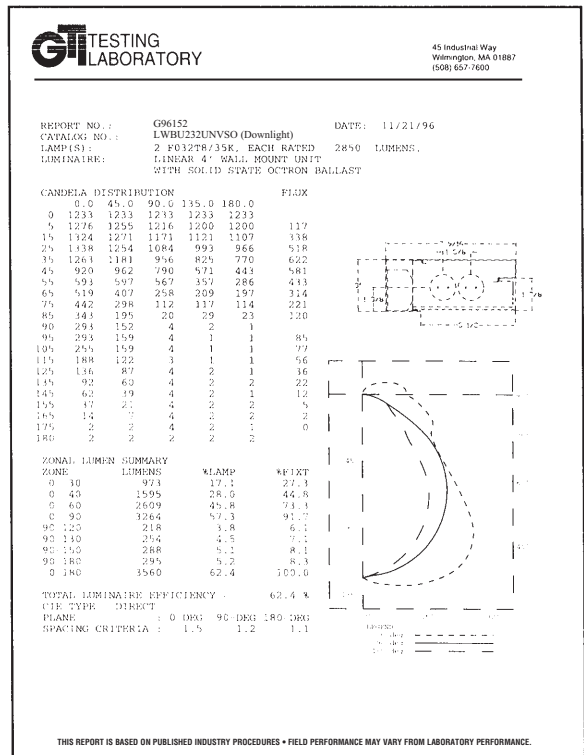
Photometry

Model No. LWBU232UNVSO (Uplight/Downlight)



Photometry

Model No. LWBU232UNVSO (Downlight)



Ordering Information

Explanation of Catalog Number. Example: LWBU232UNVSOEM

LWBU	[]	[]	[]	[]	[]	[]
LWBU Universal Wall Mounted White Body Fluorescent Uplight/Downlight or Downlight Only	Lamp Quantity: 1 = 1 Lamp 2 = 2 Lamp	Lamp Fixture Length: 17=T8, 2' Length 25=T8, 3' Length 32=T8, 4' Length	Voltage: 120 or 277	UNV: Universal Voltage 120-277	Ballast Type: <20THD <10THD SO* HI* PS -	Options: Add appropriate suffix to catalog no, ie: (EM)
					1 & 2 Lamp Elec. (T8) LOL T8 Dimming *Instant Start Standard Other dimming options. Consult factory.	

Options/Accessories

- Fusing:** Internal fast-blow fusing. Suffix: **GLR**.
Internal slow-blow fusing. Suffix: **GMF**.
- Radio Interference Filter:** 120 or 277 volt, 50 or 60 Hz. One per fixture:
Suffix: **R**. One per ballast: Suffix: **B**.
- Emergency Power Pack:** Factory installed emergency power pack includes charger and inverter concealed in fixture channel. Upon loss of AC power, operates one lamp at reduce light. Suffix: **EM**.
- Electrical Wiring Options:** Consult factory.
- Note:** Consult factory for availability of options for nominal 2' long fixtures.

Specifications

- Materials:** Chassis parts are die-formed code gauge cold rolled steel.
- Reflector**—one-piece virgin acrylic.
- Finish:** Chassis exterior—white baked acrylic enamel. **Cavity**—white baked acrylic enamel minimum 86% reflectance. Phosphate undercoating.
- Reflector (downlight):** One-piece injection-molded, (full re-entrant virgin acrylic with Catadioptric side, ends and wall design with diamond shape square base male conical prisms on horizontal surface.

Specifications (continued)

- Electrical:** Thermally protected class "P" ballast C.B.M. approved, non PCB. If K.O. is within 3" of ballast, use wire suitable for at least 90°.
- Labels:** I.B.E.W./UL and ULc Listed.

Job Information Type:

Lightolier a Genlyte Thomas Company www.lightolier.com
 Technical Information: (978) 657-7600 • Fax (978) 658-0595
 631 Airport Road, Fall River, MA 02720 • (508) 679-8131 • Fax (508) 674-4710
 We reserve the right to change details of design, materials and finish.
 Copyright 2004 Lightolier **Section 4A/Folio 120-18**

LIGHTOLIER