

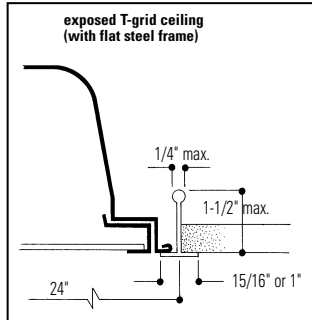
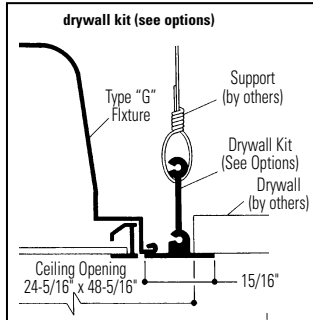
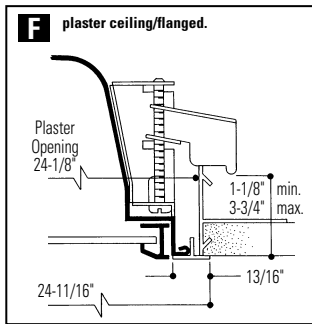
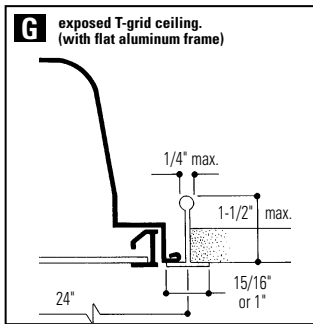
SURGICAL PERIMETER LUMINAIRE **SUS SERIES 432/632**

Features

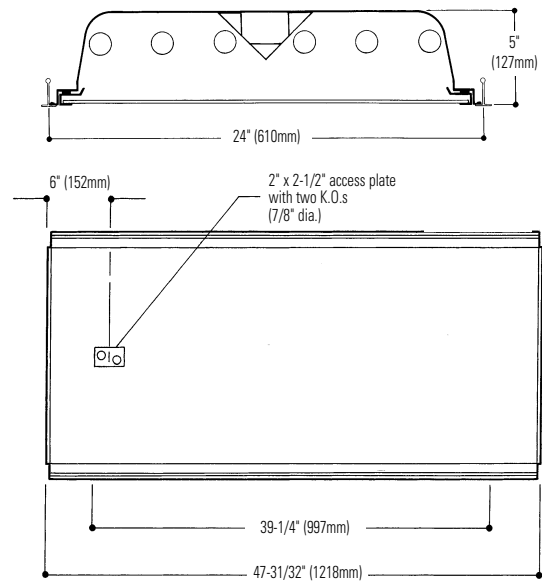
- Asymmetric/symmetric distribution provides: supplemental illumination to operating table.
- Minimizes contrast between surgical and surrounding areas.
- Meets government specification for Radio Frequency Interference (RFI), MIL-STD 461-A, MIL-STD 462 and MIL-STD 463.
- One radio suppressor per fixture (standard).
- High efficiency 60.9% (6 light) 61.2% (4 light).
- One-piece housing.
- Hemmed over side rails for maximum safety.
- Built-in earthquake clips (pat. no. 5,072,344).
- Flat full-size steel lens frame is gasketed.
- 2-1/4" lamp to integral light stop for easy lamp removal.
- Black housing exterior for cooler ballast operating temperature.



MOUNTING METHODS



DIMENSIONS



Job Information

Type:

Job Name:

Cat. No.:

Lamp(s):

Volts/Ballast:

Lightolier a Genlyte Thomas Company

www.lightolier.com

Technical Information: (978) 657-7600 • Fax (978) 658-0595

631 Airport Road, Fall River, MA 02720 • (508) 679-8131 • Fax (508) 674-4710

We reserve the right to change details of design, materials and finish.

© 2002 Genlyte Thomas Group LLC (Lightolier Division)

A0902

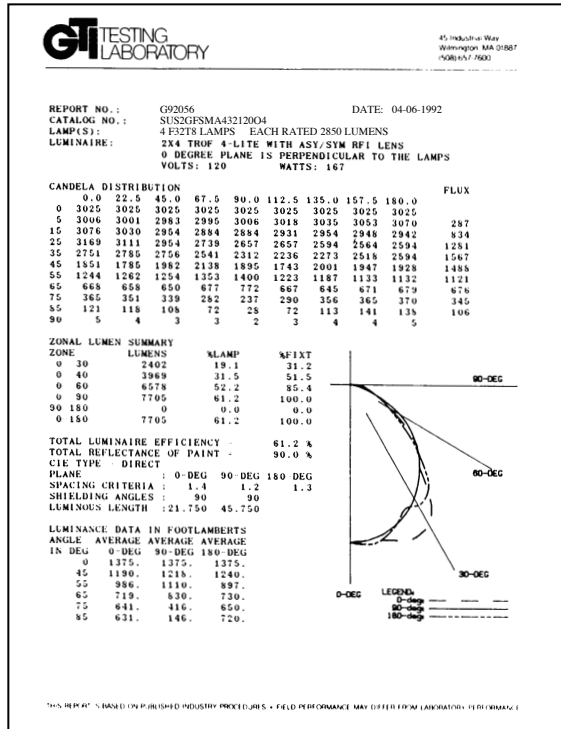
SECTION 8/Folio R50-10 REV. B

LIGHTOLIER®

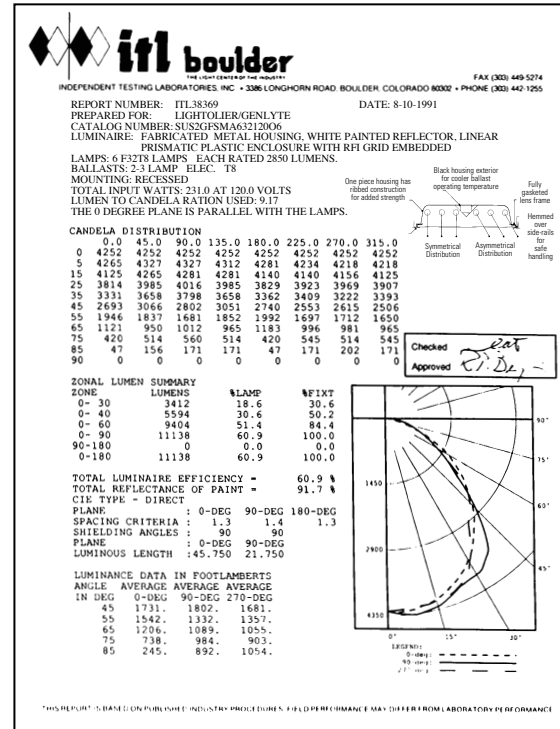
SURGICAL PERIMETER LUMINAIRE **SUS SERIES 432/632**

PHOTOMETRY

MODEL NO. SUS2GFMSMA43212004

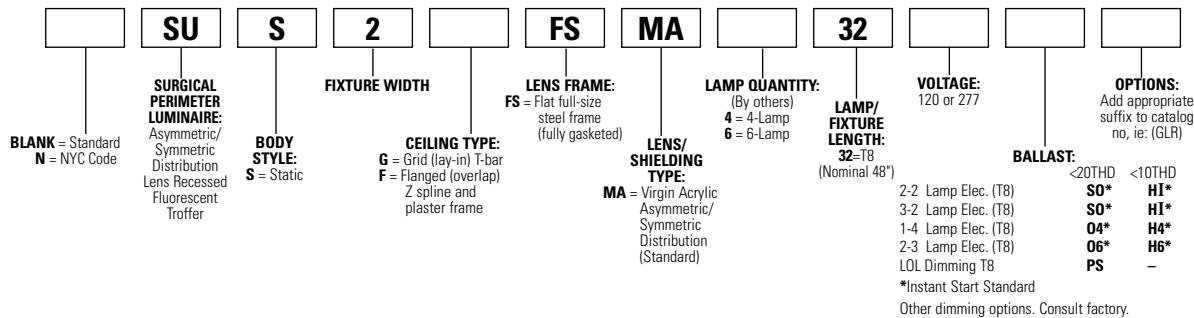


MODEL NO. SUS2GFMSMA63212006



ORDERING INFORMATION

Explanation of Catalog Number. Example: SUS2GFMSMA63212006GLR



OPTIONS & ACCESSORIES

- CONTINUOUS ROW INSTALLATION:** For F type fixtures, half-width flanges are required between fixtures. Order Catalog Number **S2FCTRIM** trim (each joint).
- PLASTER FRAMES:** Catalog Number: **PF24**.
- ELECTRICAL WIRING OPTIONS:** Consult factory.
- SEISMIC HOLD-DOWN CLIP:** For type G troffers. SUFFIX: **4HD** (For NYC only).
- FUSING:** Internal fast-blow fusing.
SUFFIX: **GLR**.
Internal slow-blow fusing.
SUFFIX: **GMF**.
- RADIO INTERFERENCE FILTER:** (If one per ballast is required) 120 or 277 volt, 50 or 60 Hz. SUFFIX: **RF**. Not available on SUS632 (6 lamp) with 3-2 lamp ballasts. (Fixture comes standard with one RFI filter).
- DRYWALL KIT:** Order Catalog Number: **FK92X4**. (Request Folio OA30-10).
- CHICAGO PLENUM:** SUFFIX: **CP**.

SPECIFICATIONS

MATERIALS: Chassis parts are die-formed code gauge cold rolled steel. **Housing** is embossed for rigidity with all edges turned up for safe handling. **Lens frame**—(FS) flat full-size steel frame fully gasketed (standard) to eliminate any light leaks which may be a potential radio wave leak.

Specifications (continued)

FINISH: Chassis exterior—black baked polyester enamel. **Cavity**—white baked polyester enamel minimum 86% reflectance. Phosphate undercoating.

LENS: Extruded virgin acrylic asymmetric/symmetric distribution with Radio Frequency Filter (RF) to meet **MIL-STD 461-A**, **MIL-STD 462** and **MIL-STD 463**.

ELECTRICAL: Thermally protected class "P" ballast C.B.M. approved, non PCB. If K.O. is within 3" of ballast, use wire suitable for at least 90°.

LABELS: I.B.E.W./UL and C-UL.

Job Information

Type:

Lightolier a Genlyte Thomas Company www.lightolier.com
Technical Information: (978) 657-7600 • Fax (978) 658-0595
631 Airport Road, Fall River, MA 02720 • (508) 679-8131 • Fax (508) 674-4710
We reserve the right to change details of design, materials and finish.
© 2002 Genlyte Thomas Group LLC (Lightolier Division)
A0902 **SECTION 8/Folio R50-10 REV. B**

LIGHTOLIER

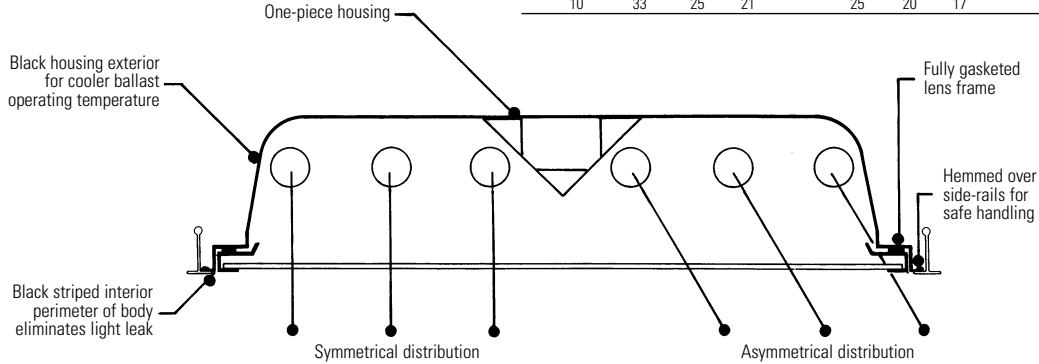
SURGICAL PERIMETER LUMINAIRE **SUS SERIES 432/632**

MODEL NO. SUS2GFSMA63212006

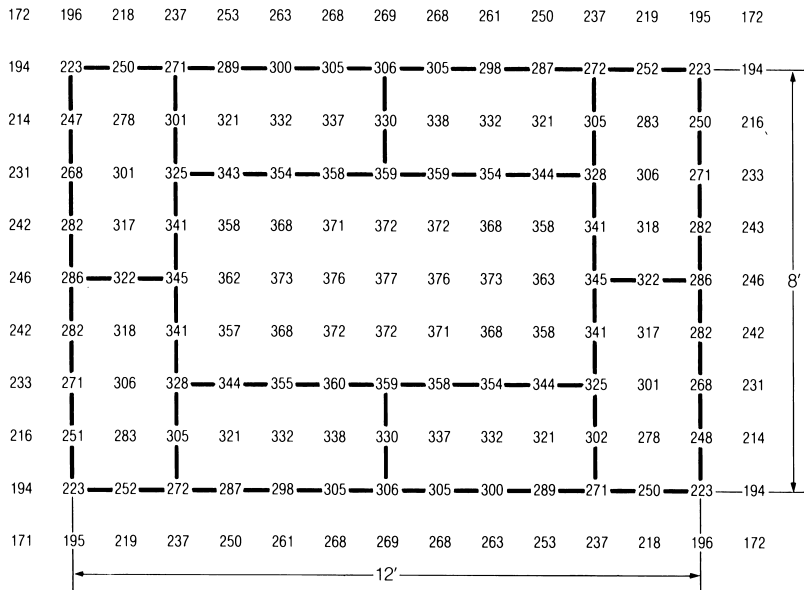
coefficients of utilization — zonal cavity method

RF	20			20			20		
RC	80			50			30		
RW	70	50	30	50	30	10	50	30	10
1	67	64	62	60	58	57	58	56	55
2	61	56	53	53	50	48	51	49	46
3	56	50	45	47	43	40	46	42	40
4	51	45	39	42	38	35	41	37	34
5	47	40	35	38	34	30	37	33	30
6	44	36	31	34	30	27	33	30	27
7	41	33	28	31	27	24	31	27	24
8	38	30	25	29	24	21	28	24	21
9	36	28	23	27	22	19	26	22	19
10	33	25	21	25	20	17	24	20	17

60.9% EFFICIENT



G TYPE ONLY



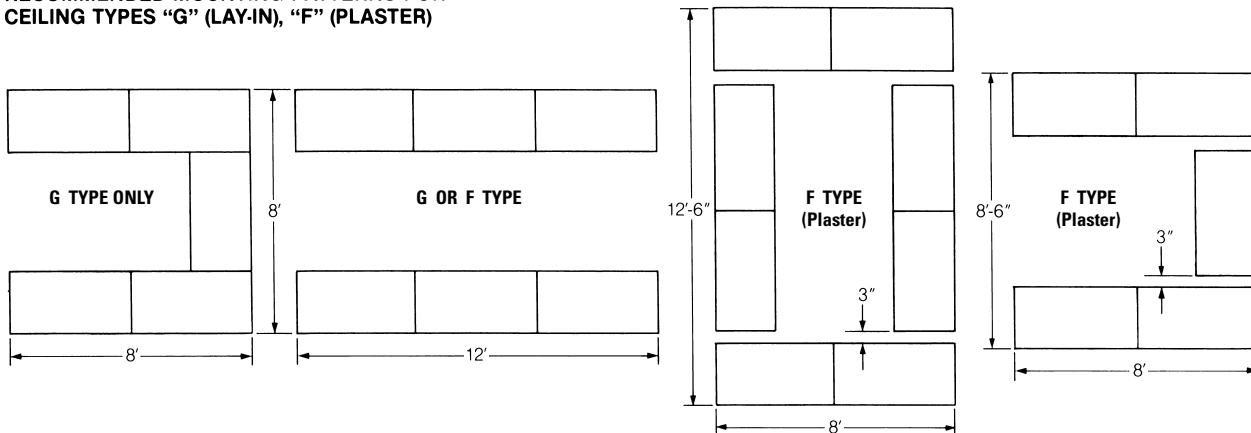
The footcandle readings of a typical 8' x 12' pattern layout of 8, 6 lamp units, illustrates that the asymmetric distribution adds 35% more light to the operating area (room size 12' x 16' x 9' ceiling).

A silver grid printed on the back of the asymmetric lens, grounded to the fixture, prevents RFI interference with other equipment.

To prevent any EMI leakage, the housing is sealed and the lens frame is fully gasketed.

F Type fixtures cannot butt together end to side. A space is required between fixtures (See diagrams below).

RECOMMENDED MOUNTING PATTERNS FOR CEILING TYPES "G" (LAY-IN), "F" (PLASTER)



LIGHTOLIER®

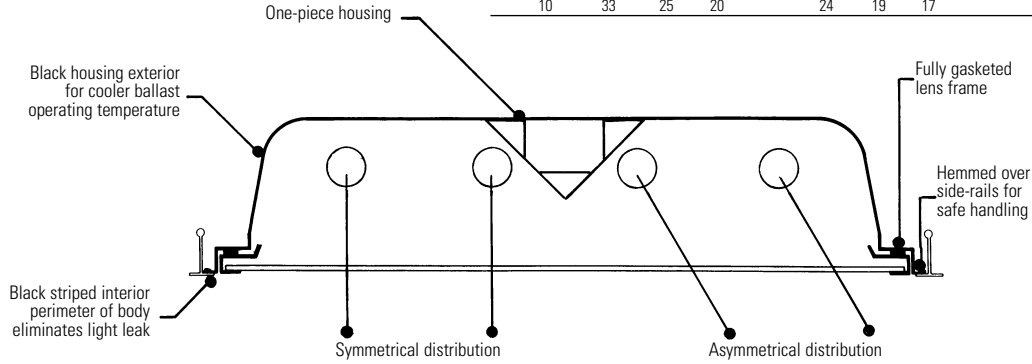
SURGICAL PERIMETER LUMINAIRE **SUS SERIES 432/632**

MODEL NO. SUS2GFSMA43212004

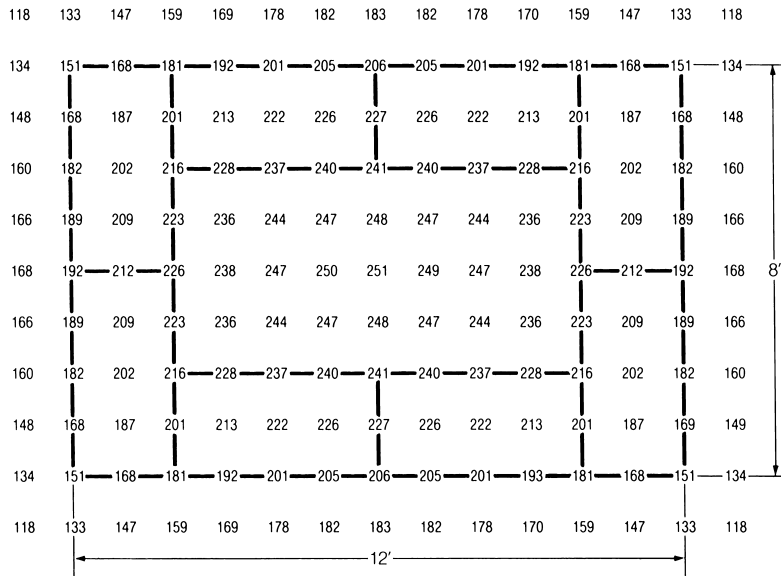
coefficients of utilization — zonal cavity method

RF	20		20		20	
RC	80		50		30	
RW	70	50	30	50	30	10
1	68	65	63	61	59	58
2	62	58	54	55	52	50
3	58	52	48	49	46	43
4	53	47	42	44	40	37
5	49	42	36	40	35	32
6	45	37	32	36	31	28
7	42	34	29	32	28	25
8	38	30	25	29	25	22
9	35	27	22	26	22	19
10	33	25	20	24	19	17

61.2% EFFICIENT



G TYPE ONLY

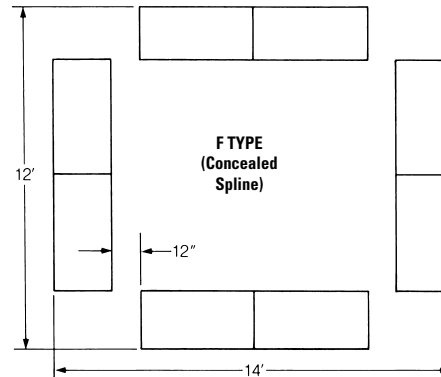
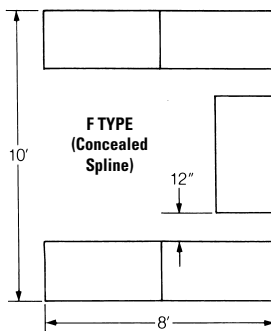
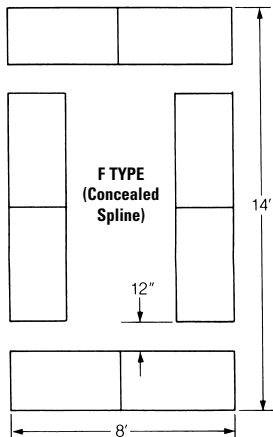


The footcandle readings of a typical 8' x 12' pattern layout of 8, 4 lamp units, illustrates that the asymmetric distribution adds 35% more light to the operating area (room size 12' x 16' x 9' ceiling).

A silver grid printed on the back of the asymmetric lens, grounded to the fixture, prevents RFI interference with other equipment.

To prevent any EMI leakage, the housing is sealed and the lens frame is fully gasketed.

F Type fixtures cannot butt together end to side. A space is required between fixtures (See diagrams below).



LIGHTCOLLER®