

SS Staggered Strip Surface Fluorescent **SS 2 LAMP**

Page 1 of 2

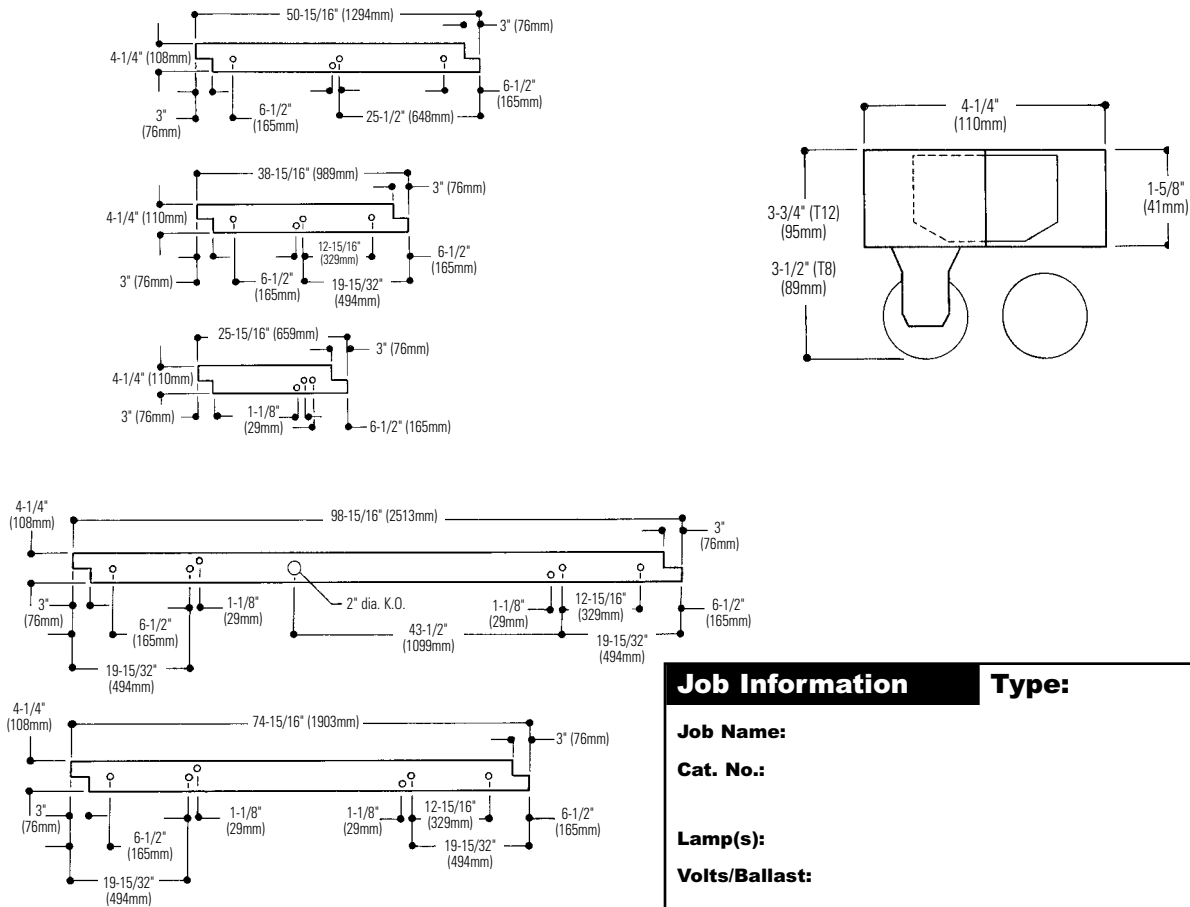
4-1/4" Wide, 1-5/8" Deep, 27", 39", 51", 75", 99" Length, Individual or Tandem,
2 Lamp T8 or T12

Features

- Full 3" overlap eliminates shadows caused by lampholders or lamp ends.
- Housing is only 1-5/8" deep.
- Safe-handling metal edges.
- Fully enclosed wireway.
- Excellent for perimeter cove lighting or other applications where continuous even illumination is required.



Dimensions



Job Information	Type:
Job Name:	
Cat. No.:	
Lamp(s):	
Volts/Ballast:	

Lightolier a Genlyte Thomas Company www.lightolier.com
 Technical Information: (978) 657-7600 • Fax (978) 658-0595
 631 Airport Road, Fall River, MA 02720 • (508) 679-8131 • Fax (508) 674-4710
 We reserve the right to change details of design, materials and finish.
 © 2003 Genlyte Thomas Group LLC (Lightolier Division) B0403

Section 3A/Folio H130-12

LIGHTOLIER®



SS Staggered Strip Surface Fluorescent **SS 2 LAMP**

Page 2 of 2

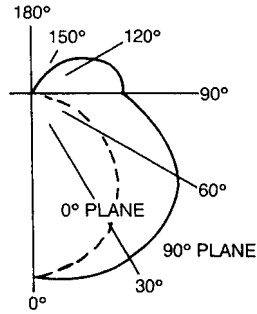
4-1/4" Wide, 1-5/8" Deep, 27", 39", 51", 75", 99" Length, Individual or Tandem,
2 Lamp T8 or T12

Photometry

Model No. **SS4S232HPF120S0**

LER = FP - 38.7 IW - 58.0 BF - 0.87
Comparative yearly lighting energy cost per 1000 lumens = \$6.20

REPORT NO: G89007
CATALOG NO: SS4S232HPF120S0
LAMP TYPE: 2F32 T8
LUMENS PER LAMP: 2850 TOTAL
EFFICIENCY: 89.5%
CIE TYPE: Semi-Direct
SPACING CRITERIA: 1.6
SHIELDING ANGLE: 180

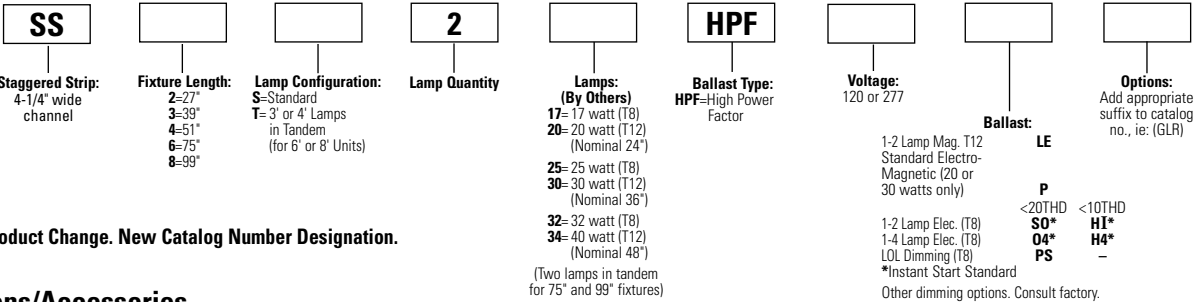


coefficients of utilization — zonal cavity method (effective floor cavity reflectance 0.20)

RF	20			20			20		
RC	80			50			30		
RW	70	50	30	50	30	10	50	30	10
1	89	84	79	71	68	64	64	61	58
2	80	71	64	60	55	51	54	50	46
3	72	62	53	52	46	41	47	42	38
4	65	54	45	46	39	34	41	36	31
5	59	47	39	40	34	28	36	30	26
6	54	42	33	36	29	24	32	26	22
7	50	37	29	32	25	21	29	23	19
8	46	33	25	29	22	18	26	20	16
9	43	30	22	26	20	15	23	18	14
10	40	27	20	24	18	13	21	16	12

Ordering Information

Explanation of Catalog Number. Example: SS4S232HPF120S0GLR†



†No Product Change. New Catalog Number Designation.

Options/Accessories

Fusing: Internal fast-blow fusing. Suffix: **GLR**.
Internal slow-blow fusing. Suffix: **GMF**.

Electrical Wiring Options: Consult factory.

Radio Interference Filter: 120 or 277 volt, 50 or 60 Hz. One per fixture.
Suffix: **R**. One per ballast. Suffix: **B**.

Stem and Canopy Sets: Suspends fixture 6', 12', 18' or 24' from surface.
Catalog Number: **ASC6 CSP** (6"), **ASC12 CSP** (12"), **ASC18 CSP** (18"),
ASC24 CSP (24").

Specifications

Materials: Chassis parts are die formed heavy duty code gauge cold rolled steel.

Ballast cover—code gauge cold rolled steel, secured by plated quarter-turn latches.

Finish: Chassis exterior—baked white polyester enamel, minimum reflectance 86%.

Electrical: Thermally protected class "P" ballast C.B.M. approved, non PCB. If K.O. is within 3" of ballast, use wire suitable for at least 90°.

Labels: I.B.E.W./UL and ULc Listed.

Job Information

Type:

Lightolier a Genlyte Thomas Company www.lightolier.com
Technical Information: (978) 657-7600 • Fax (978) 658-0595
631 Airport Road, Fall River, MA 02720 • (508) 679-8131 • Fax (508) 674-4710
We reserve the right to change details of design, materials and finish.
© 2003 Genlyte Thomas Group LLC (Lightolier Division) A0403

Section3A/Folio H130-12

LIGHTOLIER