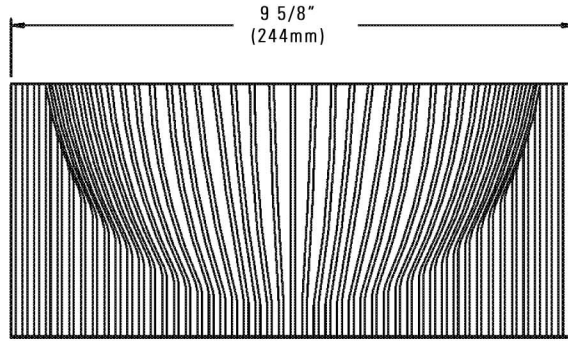
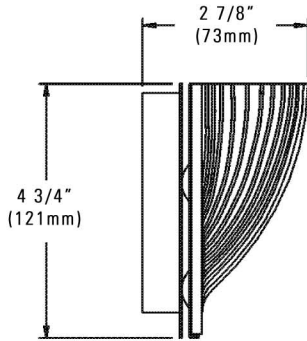




Spectral Architectural Lighting **SL301A**



Ordering Guide (complete unit only)

Cat. No.	Lamp (clear halogen)	Volt	Finish
SL301A	1-150W T3 (clear)	120V	Anodized Aluminum

Features

- Form:** Unique sculpted curved anodized corrugated aluminum form. These natural materials create a new form of elegance in their simplicity and the manner in which light is reflected off the fluted surface. Fastened over a textured black painted steel frame and back plate.
- Optic:** Wide spaced specular aluminum reflector with frosted glass protective cover.
- Electrical Design:** Steel mounting plate and mounting assembly.

Mounting

Mounting: Black backplate mounts to a standard octagonal box.

Electrical

Voltage: 120 volts incandescent operation.

Lampholder: Double ended base.

Finish

Anodized corrugated aluminum sheet with precise flutes. All painted parts are with powder coat paint process.

Labels

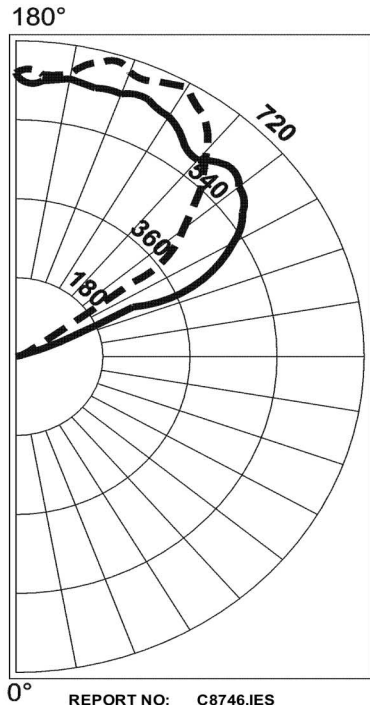
UL "c/us" Listed.

Fixture conforms to Americans with Disabilities Act (ADA) Federal Regulations—Protruding Objects.

Job Information	Type:
Job Name:	
Cat. No.:	
Lamp(s):	
Notes:	

Lightolier a Genlyte Thomas Company www.lightolier.com
 631 Airport Road, Fall River, MA 02720 • (508) 679-8131 • Fax (508) 674-4710
 We reserve the right to change details of design, materials and finish.
 © 2002 Genlyte Thomas Group LLC (Lightolier Division) • A0902

LIGHTOLIER®



CANDLEPOWER

ZONE → DEG ↓	90	135	180	225	270
90	0	0	0	0	0
95	0	0	0	0	1
100	0	0	11	0	9
105	12	25	45	6	9
110	96	136	76	25	20
115	267	366	114	76	30
120	519	420	170	302	67
125	572	452	239	386	295
130	602	441	310	470	452
135	617	487	389	548	541
140	585	551	452	599	614
145	602	599	514	636	674
150	632	638	565	651	709
155	647	613	606	666	692
160	637	627	635	689	690
165	634	625	644	668	695
170	643	640	648	653	655
175	631	634	652	659	645
180	647	647	647	647	647

REPORT NO: C8746.IES
 CAT. NO: SL301A
 1 x 150W T3 at 2800 lumens
 Efficiency: 66%. Maimum candela: 70
 Indirect Peak at 150°

COEFFICIENTS OF UTILIZATION

ZONAL CAVITY METHOD | EFFECTIVE FLOOR CAVITY REFLECTANCE = .20

ROOM CAVITY RATIO	Wall Reflectance											
	80				70				50			
	70	50	30	10	70	50	30	10	50	30	10	
0	.63	.63	.63	.63	.54	.54	.54	.54	.37	.37	.37	
1	.57	.54	.52	.50	.49	.47	.45	.42	.32	.31	.30	
2	.52	.47	.44	.40	.44	.41	.38	.35	.28	.26	.24	
3	.47	.42	.37	.34	.40	.36	.32	.29	.25	.22	.21	
4	.43	.37	.32	.28	.37	.32	.28	.25	.22	.19	.17	
5	.39	.32	.28	.24	.34	.28	.24	.21	.19	.17	.15	
6	.36	.29	.24	.21	.31	.25	.21	.18	.17	.15	.13	
7	.33	.26	.21	.18	.28	.22	.18	.15	.15	.13	.11	
8	.31	.23	.18	.15	.26	.20	.16	.13	.14	.11	.09	
9	.28	.21	.16	.13	.24	.18	.14	.12	.12	.10	.08	
10	.26	.19	.15	.12	.22	.16	.13	.10	.11	.09	.07	

DETERMINED IN ACCORDANCE WITH CURRENT IES PUBLISHED PROCEDURES
 LUMINAIRE INPUTS WATTS = 150

DISTRIBUTION

Zone	Lumens	% Lamp	% Luminaire
180-150	540	19	29
180-140	907	32	49
180-120	1624	58	88
180-90	1846	66	100
140-90	938	34	51
120-90	222	8	12
0-90	0	0	0
0-180	1846	66	100

Job Information **Type:**

Lightolier a Genlyte Thomas Company www.lightolier.com
 631 Airport Road, Fall River, MA 02720 • (508) 679-8131 • Fax (508) 674-4710
 We reserve the right to change details of design, materials and finish.
 © 2002 Genlyte Thomas Group LLC (Lightolier Division) • A0902

LIGHTOLIER