

Ordering Information

Family	Lamps	Length	Type	Mounting	Shielding	Voltage	Options
SQ6	4		B				
	4 = 4-Light	4 = 4-Foot 8 = 8-Foot	B = Bi-directional	P = Suspended W = Wall	S = Straight Blade Louver C = Paracube 1/2" L = Lens K19 N = None P = Parabolic Louver	1 = 120v 2 = 277v 3 = 347v D1 = Dimming 120v D2 = Dimming 277v E1 = Emergency 120v E2 = Emergency 277v	X4 = 4th Wire X5 = 5th Wire Blank = No Opt. DS = Dual Switch

Complete ordering instruction below.

Features

- Housing:** 20 gauge pre-painted die formed steel. Weldless, die-cast bulkheads allowing casting to casting luminaire connection. ABS Cast plastic end caps, painted white to match housing, fastenerless attachment.
- Lamp:** Four F32T8 fluorescent lamps per 4-foot section. Provided by others.
- Reflector:** Precision die-formed high reflectance white pre-painted steel.
- Straight Blade Louver:** Lift and shift, constructed from die-formed aluminum and finished to match the housing. Louver blades are 1" (2.54cm) high on 1-1/8" (2.86cm) centers.
- Lens:** Extruded 100% acrylic clear prismatic lens.
- Paracube Louver:** Lift and shift, injection molded metalized louver with 1/2" (1.27cm) x 1/2" (1.27cm) cubes.
- Parabolic Louver:** Lift and shift, constructed of die-formed semi-specular aluminum. Louver blades are 1" (2.54cm) high on 1-1/2" (3.81cm) centers.

Electrical

Electronic Ballast: 3 conductor, 18 gauge wire. Color-coded quick connectors allow easy connection for modular fixtures. Power feed is 18 gauge white cord. Factory installed ballast disconnect allows the ballast to be disconnected from and reconnected to incoming power under load without turning the entire circuit off.

Dimming: Advance Mark X, use Advance compatible two-wire control (no extra lead required).

Emergency Battery Pack: 450 Lumens @ 90min.

Mounting

Cable Mounting: (not shown) 4-1/2" (11.43cm) diameter canopy finished white enamel, 1/16" (0.16cm) diameter stainless steel aircraft cable adjustable up to 36" (91.44cm) Draw-tight connector to create hairline seam between joiner modules.

Stem Mounting: (not shown) 4-1/2" (11.43cm) diameter canopy finished white enamel, 1/2" (1.27cm) diameter stem. Standard length is 24" (61.30cm) from the ceiling to the top of the lighting fixture. can be cut to length on the job. Self-aligning swivel provides adjustability up to 42° of slopes.

Wall Mounting: Precision die-formed steel bracket system that hooks and locks onto the wall, painted white.

Finish

Pre-painted textured white finish. Shipped with plastic adhesive film protector.

Options and Accessories

Dual Switching: Order the DS option for separate row switching. DS option comes complete with the 4th through wire option.

4 and 5 wire: Order X4 for EM battery. For non-standard dimming options, order X5 option for Advance Mark VII, DALI and ESI. Order X4 for Lutron Hi-Lume and ECO-10. Consult factory for any additional wiring conditions.

Ordering Instructions

Individual Fixtures:

- Order number of Modules required.
- Order one Power Feed End Set (Cable or Stem) per Module.

Continuous Runs:

- Determine run length.
- Order the appropriate number of Modules for the complete run.
- Order one Power Feed End Set (Cable or Stem) per run.
- Order one Cable or Stem Assembly per Modules minus one per run.
- For runs that exceed amperage limits, order the appropriate number of Cable/Cord Assemblies (not required for stem).

Labels

UL, cUL and I.B.E.W.

Job Information

Type:

Job Name:

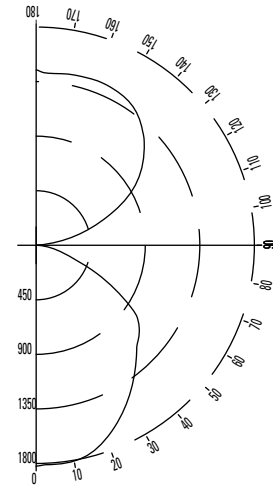
Cat. No.:

Lamp(s):

Notes:

631 Airport Road, Fall River, MA 02720 • (508) 679-8131 • Fax (508) 674-4710
We reserve the right to change details of design, materials and finish.
www.lightolier.com © 2008 Philips Group • E1208

Performance & Quick Calculators



ZONE DEG.	CANDLEPOWER				
	0	22	45	67	90
180	1446	1446	1446	1446	1446
175	1449	1441	1432	1425	1423
165	1402	1400	1420	1436	1442
155	1309	1330	1384	1431	1442
145	1168	1218	1312	1380	1394
135	987	1076	1195	1250	1257
125	764	903	1001	1048	1052
115	520	684	755	770	751
105	268	427	411	401	390
95	45	97	71	66	56
90	0	5	10	12	0
85	32	41	43	51	56
75	145	152	157	192	202
65	274	293	316	451	555
55	430	469	536	799	1010
45	664	753	845	1032	1175
35	994	1077	1151	1293	1390
25	1306	1383	1456	1547	1600
15	1585	1628	1686	1745	1769
5	1795	1804	1811	1811	1813
0	1822	1822	1822	1822	1822

COEFFICIENTS OF UTILIZATION

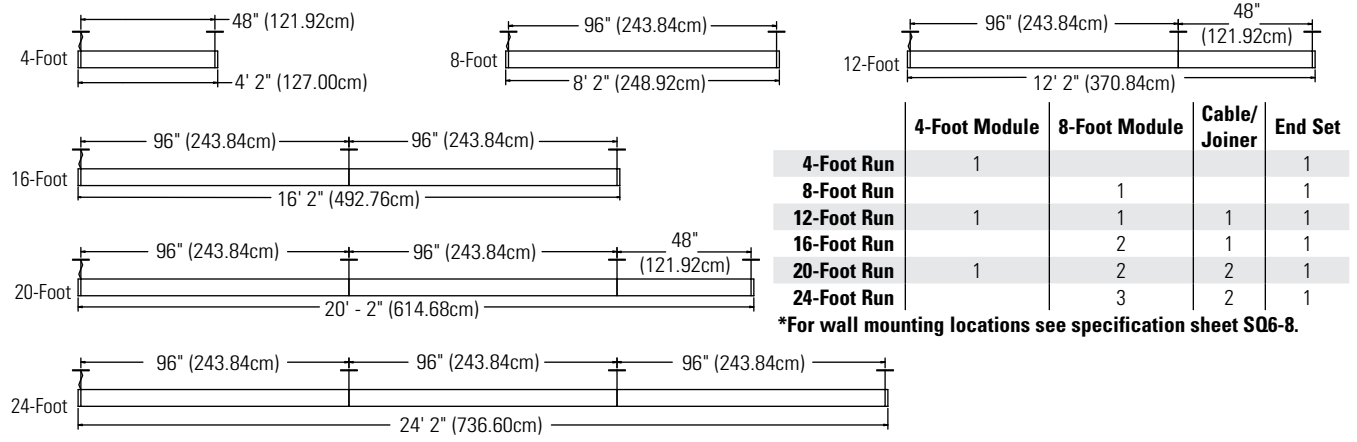
ROOM CAVITY RATIO	% EFFECTIVE CEILING CAVITY REFLECTANCE								
	80			70			50		
	50	30	10	50	30	10	50	30	10
0	79	79	79	73	73	73	60	60	60
1	70	67	64	64	62	59	53	51	50
2	61	57	53	56	52	49	47	44	42
3	54	49	45	50	45	41	42	38	35
4	48	42	38	44	39	35	37	33	30
5	43	37	33	40	34	30	33	29	26
6	38	33	28	36	30	27	30	26	23
7	35	29	25	32	27	23	27	23	20
8	32	26	22	29	24	21	25	21	18
9	29	23	20	27	22	19	23	19	16
10	26	21	18	25	20	17	21	17	15

ZONAL LUMEN SUMMARY

ZONE	LUMENS	% BARELAMP	% LUMINAIRE
0-90	3900	33.0	44.1
90-180	4953	42.0	55.9
0-180	8854	75.0	100.0

Report No.: ITL53180
 Catalog No.: SQ644BPS1
 Lamps: 4-F32T8
 Lumens: 2950
 Efficiency: 79.0%

Fixture Lengths & Mounting Locations



Mounting Accessories

Power Feed End Set:
 3 Wire Cord: SQ6EC36
 4 Wire Cord*: SQ6EC36X4
 5 Wire Cord*: SQ6EC36X5

End Set Stem:
 SQ6ES24

End Set Wall:
 SQ6E

Ceiling Grid Kit:
 CGK
 Includes both standard 1" Tee and Slot Tee Clip.
 Order one for every non-powered suspension point.

Ceiling Grid Kit Power:
 CGKP
 Includes the hardware necessary to install a power feed above a suspended ceiling. J-box and Flex not included. Order one for every powered suspension point.

Intermediate Cable Suspension:
 SQ6C36

Cable Cord Assembly:
 3 Wire Cord: SQ6CC36
 4 Wire Cord*: SQ6CC36X4
 5 Wire Cord*: SQ6CC36X5

Intermediate Suspension Stem:
 SQ6S24

*Use for dimming or emergency battery packs.

Job Information	Type:
-----------------	-------

631 Airport Road, Fall River, MA 02720 • (508) 679-8131 • Fax (508) 674-4710
 We reserve the right to change details of design, materials and finish.
 www.lightolier.com © 2008 Philips Group • E1208